









Installation Instructions Door Surround Kit


Vehicle Application:


- Jeep Wrangler TJ
1997 – 2006
Part Number: 55012

INSTALLATION TIME	SKILL LEVEL
 1/2 Hour	 1 - Easy

TOOLS			
 Safety Glasses	 Phillips Screwdriver	 Power Drill 1/8" Bit	 Silicone Sealant



 **CAUTION** Safety glasses should be worn at all times while installing this product.

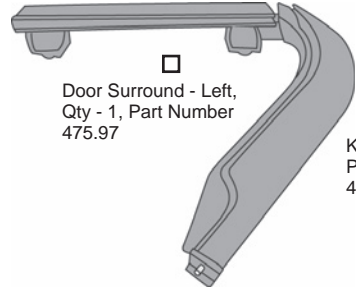
 **WARNING** This product is designed primarily to enhance the appearance of the vehicle and to shield the occupants from ordinary weather conditions. Do not rely in any way on the components of this product to contain occupants within the vehicle, or to protect against injury or death in the event of an accident. This product will not protect the occupants from falling objects. Never operate the vehicle in excess of manufacturer's specifications.

WEAR SEAT BELTS AT ALL TIMES

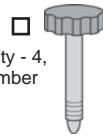
Read and follow, precisely, all installation instructions provided when installing product. Failure to do so may result in a poor fit and could place occupants of the vehicle in a potentially dangerous situation.

Door Surround Kit Installation Instructions

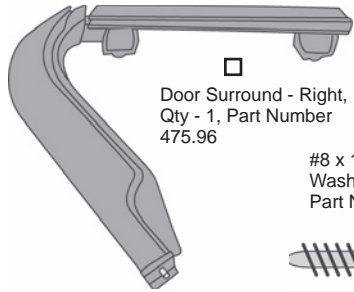
Parts List



Door Surround - Left, Qty - 1, Part Number 475.97



Knob, Qty - 4, Part Number 478.90



Door Surround - Right, Qty - 1, Part Number 475.96



#8 x 1/2" Pan Head Washer Screws, Qty - 4, Part Number 200.48

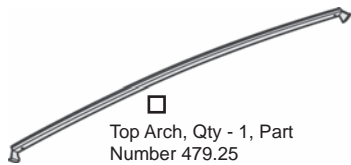
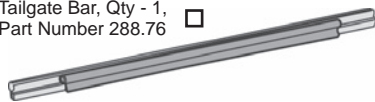
Tailgate Mount - Left, Qty - 1, Part Number 311.85



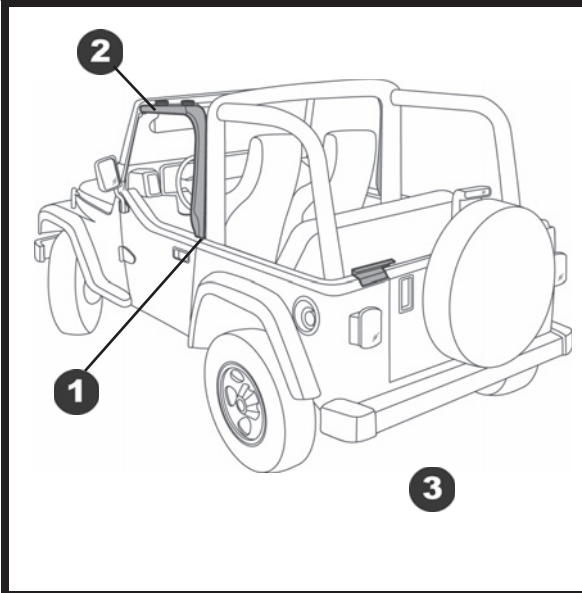
Tailgate Mount - Right, Qty - 1, Part Number 311.86



Tailgate Bar, Qty - 1, Part Number 288.76



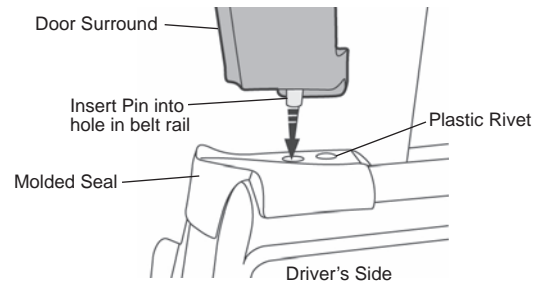
Top Arch, Qty - 1, Part Number 479.25



1 Install Door Surrounds

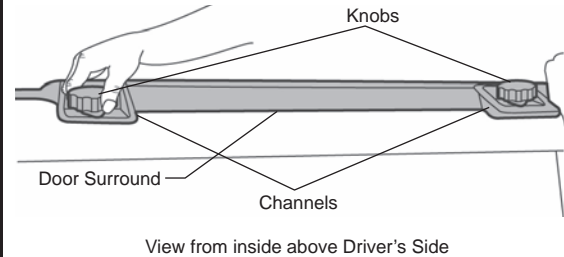
Remove the hard top. If your vehicle has molded seals on the belt rail, remove them by pulling up on the plastic rivet.

Locate the left and right Door Surrounds. Insert the pin in the bottom of the Door Surround into the hole in the belt rail behind the door.



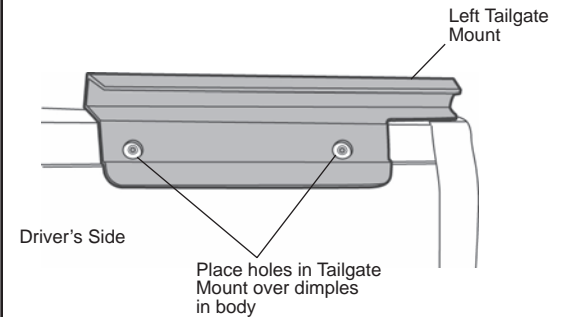
2 Install Door Surround Knobs

Press the channels along the top of the Door Surround around the horizontal sport bar, above the door opening. Insert two Knobs into the Door Surround and tighten them down.



3 Orient Tailgate Mounts

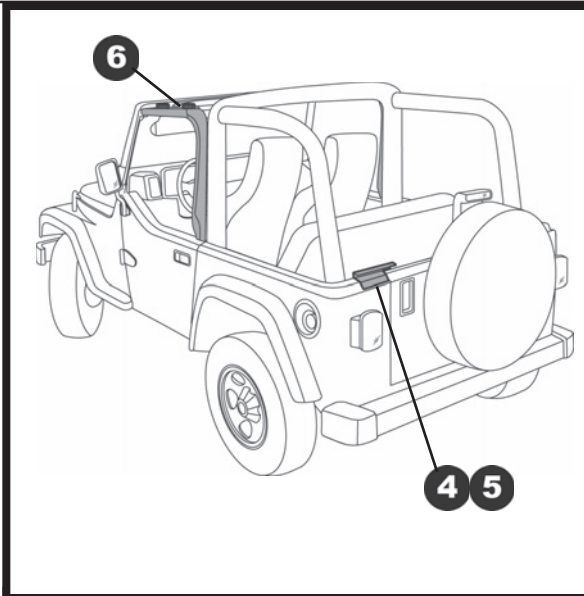
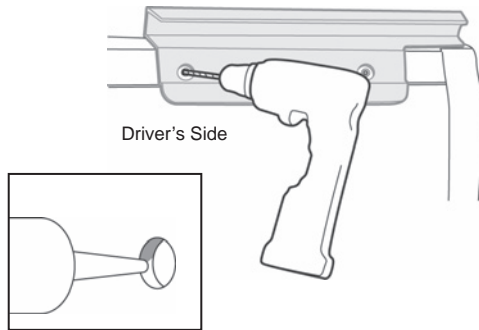
Locate the left and right Tailgate Mounts. Place the holes in the mounts over the dimples in the vehicle body. Mark the hole locations.



Door Surround Kit Installation Instructions

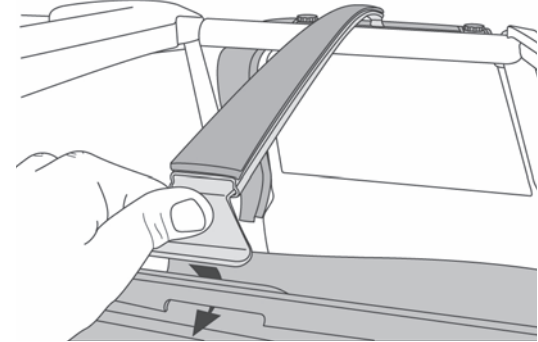
4 Drill Holes

Drill a 1/8" hole at the marked locations. Deburr the holes and seal the edges of the holes with Silicone Sealant.



6 Install Top Arch

Insert one end of the top arch in to the slot in the middle of one of the Door Surrounds. Push the other end inward to flex the bow and insert it into the slot on the other side of the vehicle.



5 Install Tailgate Mounts

Install the Tailgate Mounts with two #8 x 1/2" Pan Head Washer Screws for each mount.

