



Installation Instructions

HighRock 4x4™ Element™

Lower Door Frame

Vehicle Application

•Jeep CJ-7 / CJ-8 Scrambler
1976-1986
Part Number: 51807 / 51823

•Jeep Wrangler
1987-1995
Part Number: 51807 / 51823

INSTALLATION TIME



1/2 Hour

SKILL LEVEL



1 - Easy

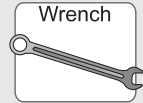
TOOLS



Safety Glasses



Phillips Screwdriver



Wrench

7/16" and 3/8"



Allen Wrench



Installation Tips

Before you begin installing this assembly, read all instructions thoroughly.

For a smooth fit:

For ease in installation, the product should be installed at temperatures above 72° F. Below this temperature, the fabric may contract an inch or more, making it difficult to fit to the vehicle. It is normal for fabric to contract and wrinkle when stored in the shipping carton. Within a few days after the installation, the fabric will relax and the wrinkles will disappear.



CAUTION

Safety glasses should be worn at all times while installing this product.



WARNING

This product is designed primarily to enhance the appearance of the vehicle and to shield the occupants from ordinary weather conditions. Do not rely in any way on the components of this product to contain occupants within the vehicle, or to protect against injury or death in the event of an accident. This product will not protect the occupants from falling objects. Never operate the vehicle in excess of manufacturer's specifications.

WEAR SEAT BELTS AT ALL TIMES

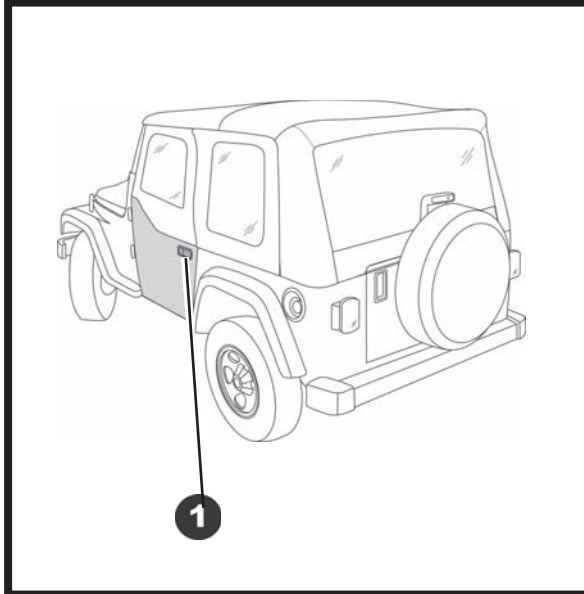
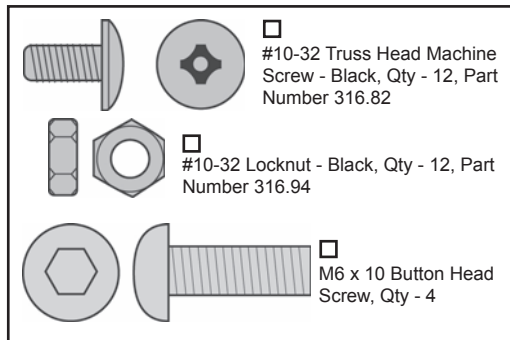
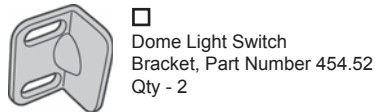
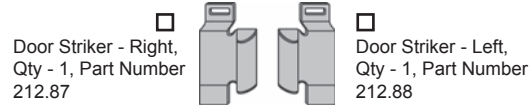
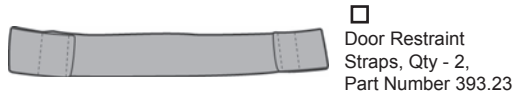
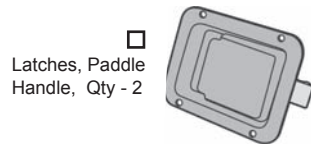
Read and follow, precisely, all installation instructions provided when installing product. Failure to do so may result in a poor fit and could place occupants of the vehicle in a potentially dangerous situation.

HighRock 4x4™ Element™ Lower Door Frame – Installation Instructions

Parts List

Right Door Frame, Part Number 422.12 (GLOSS FINISH)
Part Number 499.48 (MATTE FINISH)
QTY. 1

Left Door Frame, Part Number 422.00 (GLOSS FINISH)
Part Number 499.47 (MATTE FINISH)
QTY. 1

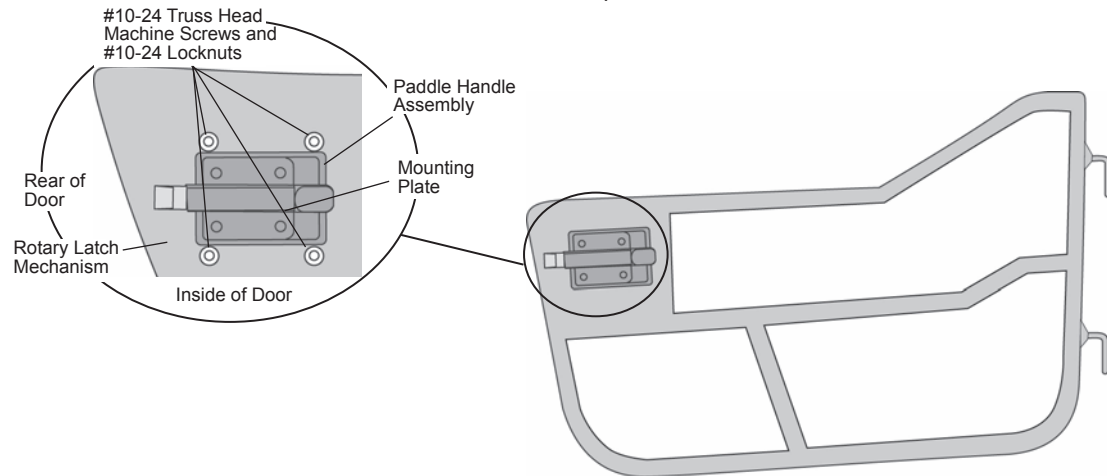


! WARNING The Element Door System is equipped for protection against the elements. The door will not contain occupants during an accident. Wear Seatbelts at all times

IMPORTANT: You should check alignment of the Paddle Handle to the steel latch pin before tightening the screws. If out of alignment, align and retighten the screws securely. Repeat for both lower doors. If more adjustment is needed, adjust the vehicle's door striker.

1 Install Paddle Handle

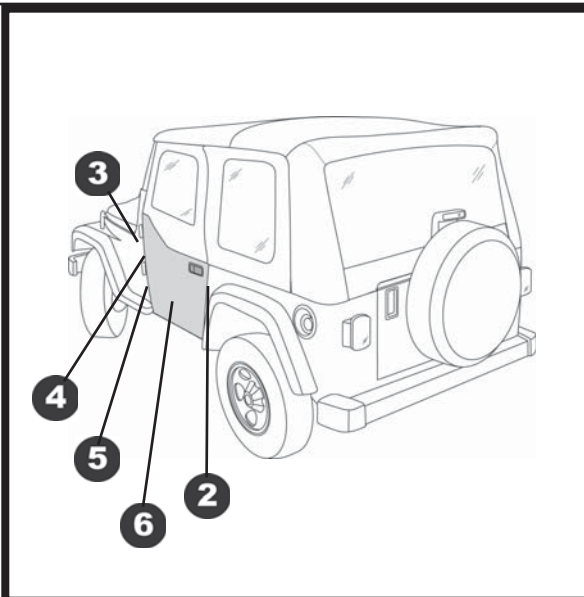
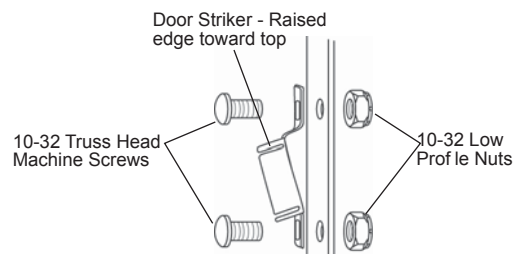
Insert the Paddle Handle into the mounting plate so that the latch mechanism is inside of the vehicle and the Rotary Latch Mechanism is toward the rear of the door. Align the four holes in the Paddle Handle Assembly with the four holes in the mounting plate. Insert four #10-32 Truss Head Machine Screws from the outside and secure them with #10-32 Locknuts. Do not tighten the screws until all four are in place.



HighRock 4x4™ Element™ Lower Door Frame – Installation Instructions

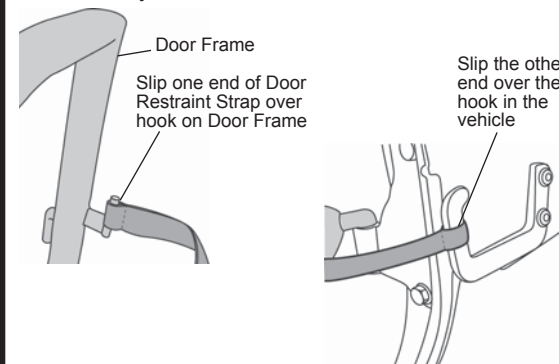
2 Install Door Strikers

Orient the Door Strikers with the raised edge toward the top and with the f at face toward the inside of the vehicle. Install the Door Striker on the Vertical Retainer Mount with two #10-32 Truss Head Machine Screws and two #10-32 Nuts. Once the door is installed, the Door Striker may be adjusted in or out until you are satisfied with the way the Door shuts and opens. Repeat on both sides of the vehicle.



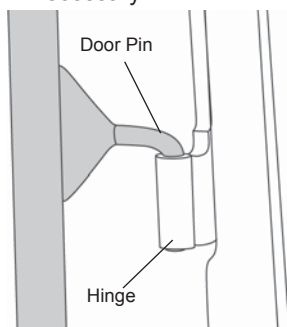
5 Install Restraint Strap

Locate a Door Restraint Strap in the small parts kit. Slip the loop in one over the hook on the door frame. Slip the loop in the other end onto the hook on the vehicle body.



3 Install Door

Hold the door straight out from the vehicle with the hinge pins over the body hinges. Lower the pins into the hinges. Make sure that the pins are fully inserted into the body hinges. Adjust the body hinges and latch pin if necessary.



4 Install Dome Light Switch Bracket

Locate the Dome Light Switch on the vehicle. Mount the Dome Light Switch Bracket to the Door in that location. Adjust the bracket location so that the dome light turns off when the Door is closed. Repeat on both sides of the vehicle.

NOTE The Dome Light Switch Bracket is not used on CJ Models.

