






Installation Instructions Element Upper Door Kit

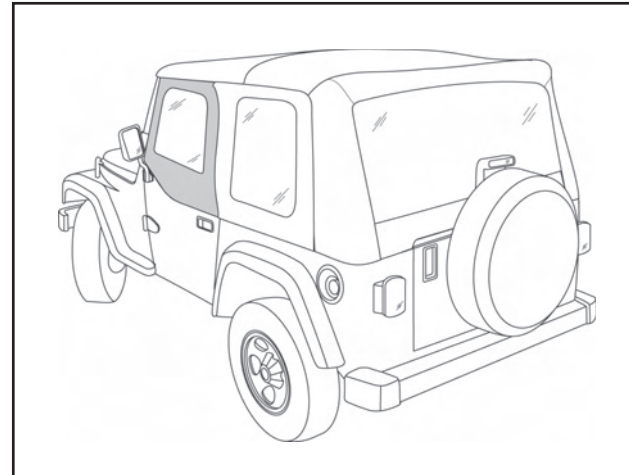
Vehicle Application

•Jeep TJ Wrangler
1997 - 2006
Part Number: 51793

•Jeep CJ
1976 - 1986
Part Number: 51795
•Jeep YJ Wrangler
1987 - 1995
Part Number: 51795

INSTALLATION TIME	SKILL LEVEL
 1/4 Hour	 1 - Easy

TOOLS
 Safety Glasses





Installation Tips

Before you begin installing this assembly, read all instructions thoroughly.

For a smooth fit:

For ease in installation, the product should be installed at temperatures above 72° F. Below this temperature, the fabric may contract an inch or more, making it difficult to fit to the vehicle. It is normal for fabric to contract and wrinkle when stored in the shipping carton. Within a few days after the installation, the fabric will relax and the wrinkles will disappear.

 **CAUTION** Safety glasses should be worn at all times while installing this product.

 **WARNING** This product is designed primarily to enhance the appearance of the vehicle and to shield the occupants from ordinary weather conditions. Do not rely in any way on the components of this product to contain occupants within the vehicle, or to protect against injury or death in the event of an accident. This product will not protect the occupants from falling objects. Never operate the vehicle in excess of manufacturer's specifications.

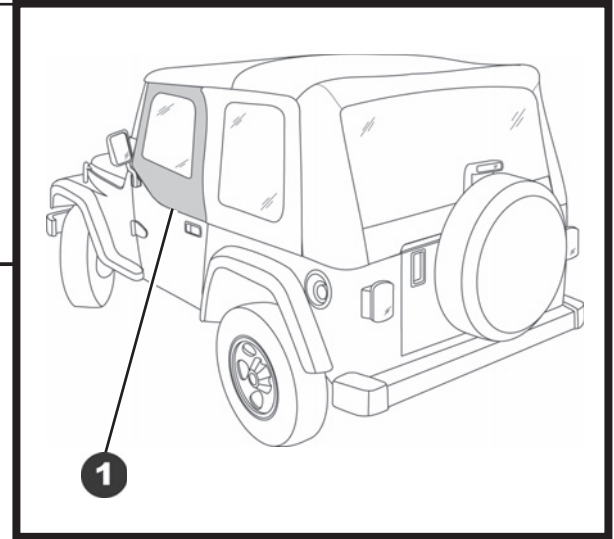
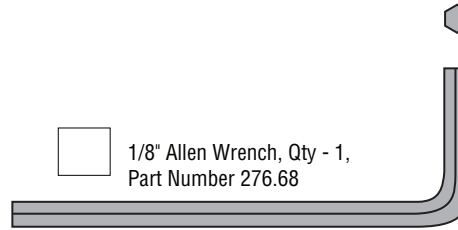
WEAR SEAT BELTS AT ALL TIMES

Read and follow, precisely, all installation instructions provided when installing product. Failure to do so may result in a poor fit and could place occupants of the vehicle in a potentially dangerous situation.

Element Upper Door Kit – Installation Instructions

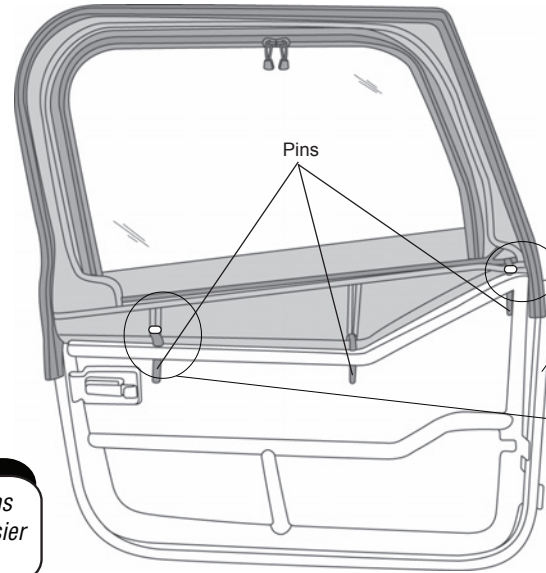
Parts List

Upper Door, Right	Qty - 1
Upper Door, Left	Qty - 1

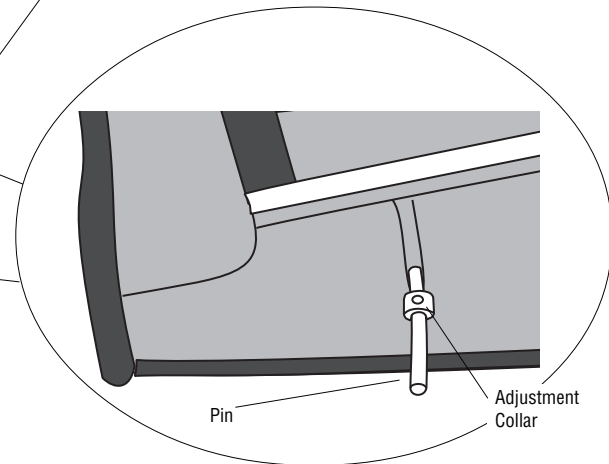


1 Install Upper Door

Install the upper door into the lower door. Starting with the front pin, slip the pins into the sockets in the lower door. Make sure that the pins are well seated in the sockets. Close the door to check that it fits properly against the body. If necessary, use the 1/8" Allen Wrench to loosen the Collars on the front and rear upper door pins. The Collars will slide up or down as needed to provide the best fit of the Upper Door against the body of the vehicle. The loop strip located on the bottom of the upper door can be attached to hook adhered to the Door Enclosure Kit (51792-01) If necessary for proper door fit, bend the upper door slightly.



Note: Lower Element Sport Door (51791/51794) and Outer Door Enclosure Kit (51792-01) are sold separately.



Note: Lubricating the upper door pins with a light weight oil will make it easier to install and remove the upper door.