



INSTALLATION INSTRUCTIONS

5520

REAR ANTI-SWAY BAR CHEVY 82-03 S-10 PICK UP

CONGRATULATIONS!

You were selective enough to choose a **BELLTECH PRODUCT**. We have spent many hours developing our line of products so that you will receive maximum performance with minimum difficulty during installation

- Note:** Confirm that all of the hardware listed in the parts list is in the kit. **DO NOT** begin this installation if any part is missing. Read the instructions thoroughly before beginning this installation.
- Warning:** **DO NOT** work under a vehicle supported by only a jack. Place support stands securely under the vehicle in the manufacturer's specified locations unless otherwise instructed.
- Warning:** **DO NOT** drive the vehicle until all work has been completed and checked. Torque all hardware to values specified.
- Reminder:** Proper use of safety equipment and eye/face/hand protection is absolutely necessary when using these tools to perform procedures!
- Note:** It is very helpful to have an assistant available during the installation process.
- Note:** We **DO NOT RECOMMEND** using wheel ramps while performing this installation.

RECOMMENDED TOOLS:

- Blocks and Wheel chocks
- Ratcheting Socket Wrench
- Properly rated floor jacks and support stands
- Combination Wrench

1 KIT INSTALLATION

- 1a.** Open the hardware kit and remove all of the contents. Refer to the parts list (Page 3) to verify that all parts are present.
- 1b.** Park the vehicle on a smooth, level concrete or seasoned asphalt surface and activate the parking brake. Block the FRONT wheels of the vehicle with appropriate wheel chocks; making sure the vehicle's transmission is in 1st gear (manual) or "Park" (automatic).
- 1c.** Using a properly rated floor jack, lift the REAR wheels of the vehicle off the ground. Place support stands, rated for the vehicle's weight and in the factory specified locations. Refer to the vehicle Owner's Manual. Prior to lowering the vehicle onto the stands, make sure the supports will securely contact the chassis.
- 1d.** It is very important that the vehicle is properly supported during this installation to prevent personal injury and chassis damage. Make sure that the support stands are properly placed prior to performing the following procedures. We **DO NOT RECOMMEND** using wheel ramps while performing this installation.

- 1e. Slowly lower the vehicle onto the stands and, before placing the vehicle's entire weight on them, again check that they properly and securely contact the chassis as described above. Check for possible interference with any lines, wires, cables, or other easily damaged components.

IMPORTANT NOTE: This installation has been done at our R&D facility. The use of professional equipment is used in the installation. It is always helpful to have an assistant to aid in the installation process.

2. ORIGINAL EQUIPMENT ANTI-SWAY BAR REMOVAL

- 2a. Locate the rear O.E.M. Anti-Sway Bar. There are actually four(4) mounting points that attach the Anti-Sway bar to the chassis frame: the bushing brackets, and the end link attachments.
- 2b. Un-bolt the mounting nuts that mounts the end link to the end of the O.E.M. Anti-Sway Bar. On this particular set-up, a wrench and a torx wrench will be needed. Remove the mounting nut completely.
- 2c. Un-bolt the four mounting bolts that mount the bushing/bushing brackets and remove them completely.
- 2d. Remove the O.E.M. Anti-Sway Bar.

3. INSTALLING THE NEW ANTI-SWAY BAR

- 3a. Using an adjustable jack stand, place the center of the O.E.M. Anti-Sway Bar atop the adjustable jack stand, to help in holding it up (**Photo 1**).
- 3b. For the time being, the arms of the new Anti-Sway Bar can rest atop the rear leaf springs (**Photo 2**).
- 3c. Center the new Anti-Sway Bar , left to right, and front to rear, while it is still being held by the adjustable jack stand.

4. INSTALLING THE NEW BUSHINGS

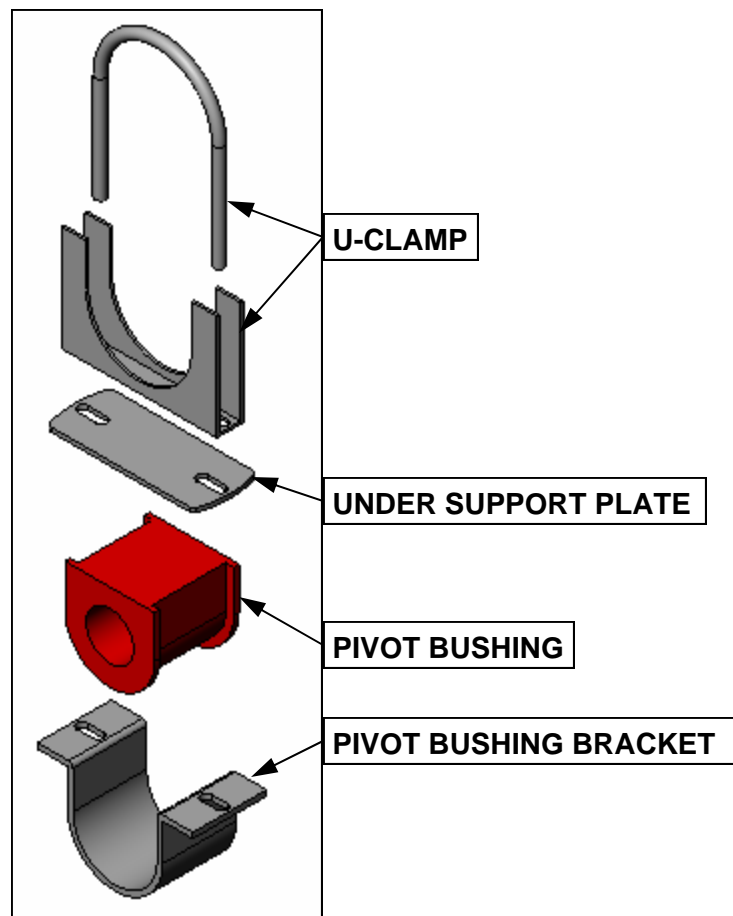
- 4a. Using the kit supplied grease, evenly distribute the grease on the inside of the bushings (**Photo 3**).
- 4b. Place the new bushings onto the new Anti-Sway Bar. Locate them onto the small straight section of the new Anti-Sway Bar (**Photo 4, 5**).

5. INSTALLING THE NEW U-BOLT CLAMP

- 5a. Locate the new U-Bolt clamp directly over the rear axle where you have located the new bushings on the Anti-Sway Bar (**Photo 6**) (**SEE DETAIL-AA**)

IMPORTANT NOTE: Be careful when installing, so the brake-line is not damaged. The U-Bolt clamp is located between the brake-line and the rear axle.

- 5b. Insert the Under Support Plate (**Photo 7**), between the underside of the rear axle and the top of the flat surface of the new bushing.
- 5c. Insert the new U-Clamp with the legs facing upward and atop the Under Support Plate (**Photo 8**).



DETAIL-AA

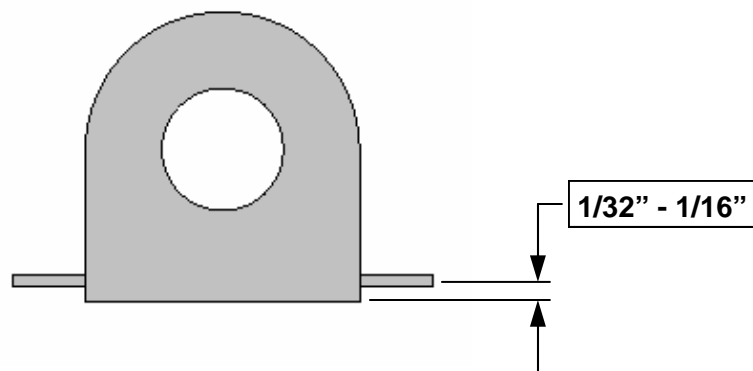
BELLTECH INSTALLATION TIPS

LUBRICATION

Pre-lubricating the inside of the bushings prior to installing them is important, in that, the lubricated bushings will greatly reduce noise and it will increase the bushing life. Belltech recommends you use Molybdenum di-sulfide. This will help protect the inside surface of the bushing and will last longer than most types of grease. Spread the kit supplied grease thoroughly in the interior of the bushing.

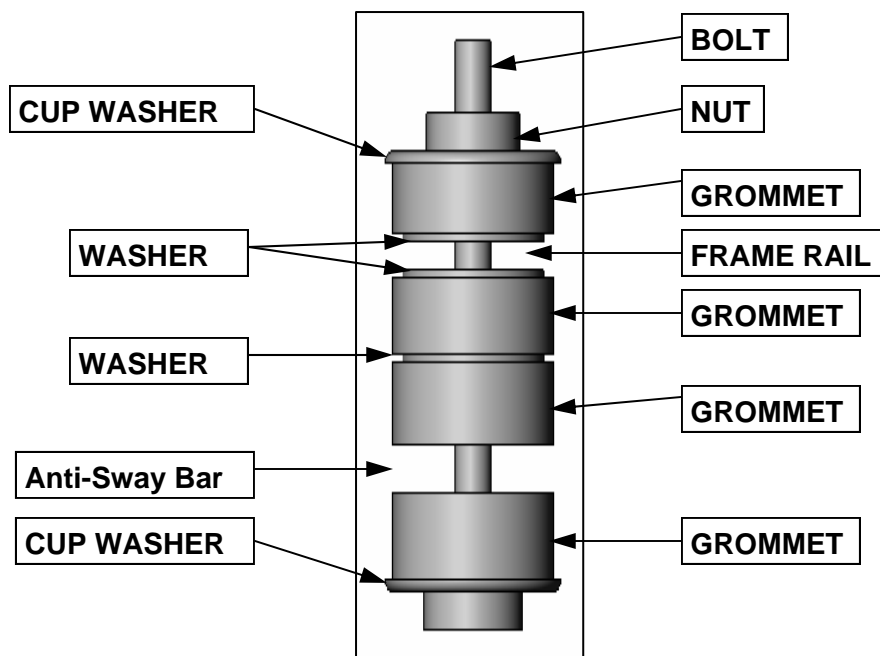
BUSHING INSTALLATION

Make sure an amount of 1/32" to 1/16" of the bushing is showing when you install it onto the bracket. See the diagram below. If the bushing is showing more than 1/16", then use a sander or a sheet of coarse grit sand paper to shave it down to the proper height. In most applications when installing the new bushings on your Belltech Anti-Sway Bar, you may refer to your original equipment Anti-Sway Bar to locate the proper location.



END LINK INSTALLATION

It is not required that you use lubricant on the end links since there is not any rotational movement. The Belltech end links are comprised of grommets, cupped washers, a spacer tube(if applicable), bolt and a lock nut. All these components create the end link assembly. See the END LINK DIAGRAM below.



5. **FINALIZING THE INSTALLATION**

5a. Tighten the bushing bracket and tighten to 18ft-lbs.

All hardware being fastened to the vehicle's original fastening points should be torqued to the proper specifications. To prevent chassis damage, never over-torque the hardware.

5b. Check that all components and fasteners have been properly installed, tightened and torqued.

5c. Check brake hoses and other components for any possible interference.

5d. Lift the vehicle and remove the support stands. Carefully lower the vehicle to the ground.

5e. Immediately test-drive the vehicle in a remote location so that you can become accustomed to the revised driving characteristics and handling. Be aware that the vehicle will handle substantially different now that it has been modified.

5f. Installation is complete. Check all of the hardware and re-torque at intervals for the first 10, 100, 1000 miles.

PARTS LIST FOR 5520 CHEVY S-10 ANTI-SWAY BAR KIT

PART#	DESCRIPTION	QTY
5520-300	Rear Anti-Sway Bar	1
113165	Pivot Bushing	2
113000	End Link Grommet	8
112276	U-Clamp 2-1/2"	2
114038	Under Support Plate	2
114032	Pivot Bushing Bracket	2
112502	Cupped Washer	4
110255	Nylon Insert Lock Nut	6
112118	3/8"-16 x 4" HHCS	2
110625	Flat Washer 3/8"	4
112518	Flat Washer 3/8"	2
112538	Flat Washer 1/2"	4
55000-10	Grease Pack	1



PHOTO 1



PHOTO 4



PHOTO 2



PHOTO 5



PHOTO 3

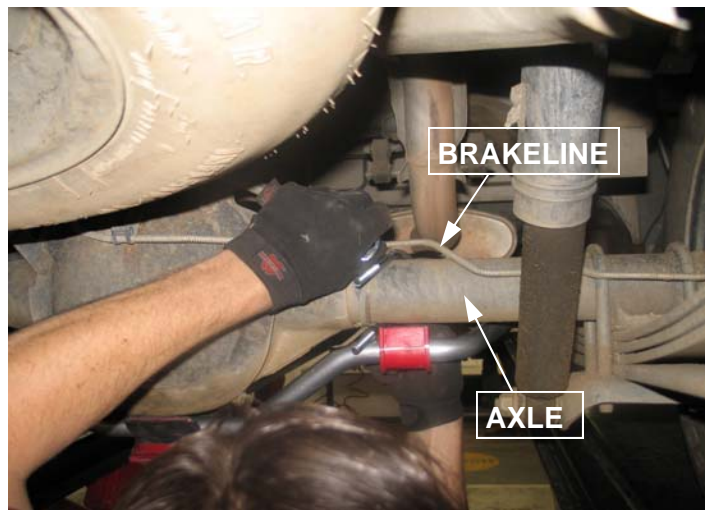


PHOTO 6

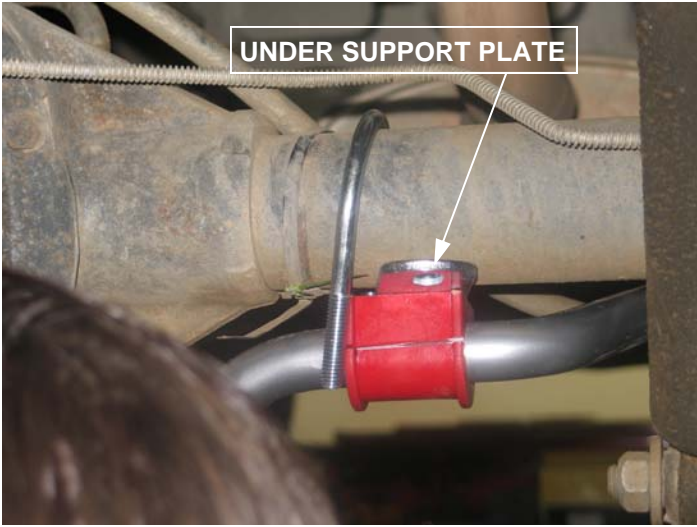


PHOTO 7

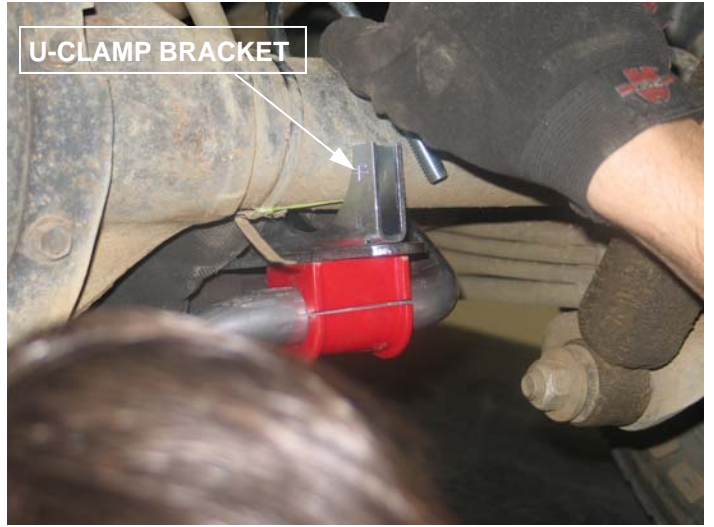


PHOTO 8