



Contents:

- **certificate for:**

- BMW E90 xDrive 3 Series sedan B14 -**
- BMW E91 xDrive 3 Series station wagon B14 -**
- BMW E92 xDrive 3 Series coupe B14 -**
- BMW E93 xDrive 3 Series convertible B14 -**

mounting instruction -



Before installation please observe the following points:

- Read all information in this manual carefully.
All suspension components are fitted and removed acc. to the manufacturer's specifications for installing and removal, if not otherwise required in these instructions.
- Check that your vehicle type is listed in the certificate as being specified for this kit.
- Check the product for all components before starting installation!
- Check that dimensions and fastening points are comparable between the original and BILSTEIN shock absorbers.
- Directional references (left, right, front, rear) are always with reference to the driving direction.
- Remove the negative battery pole.
- The tested vehicles are left- hand drive vehicles.

After installation please observe the following points:

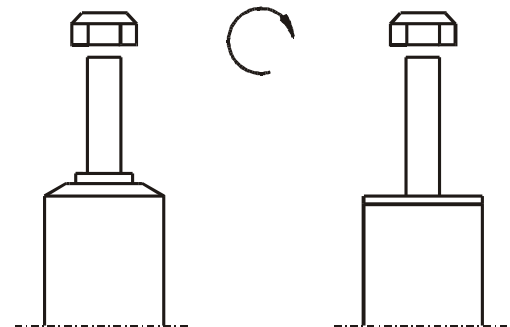
- Set the vehicle height by adjusting spring plates and lock nuts on the new dampers. Only use the supplied spanner wrenches.
- All rubber- mounted strut/ damper attachments must not be fully tightened until AFTER the suspension system is loaded (wheels on the ground). Other mounting fasteners (for example brackets) must be securely tightened BEFORE load is placed on the suspension system.
- Because the vehicle has been lowered, freedom of movement for all wheel-/ tire- combinations must be checked.
- Connect the negative battery pole.
- After installing the suspension system, caster and camber must be checked and adjusted according to manufacturer's specifications.
- Check and reset load- dependent brake compensator and ABS system according to manufacturer's specifications.
- Check and adjust headlight setting.

All diagrams are generalized and not to scale!
brackets, etc. specific to strut are not shown!



list of torques

	M8	M 10	M 12	M 14	M 16	Thread
	13	25	45	72	110	Torque Nm
	10	19	34	54	83	Torque ft lb



**Do not use an impact tool to loosen or tighten fasteners due to possible damage to the product.
Self- locking nuts must only be used once!**

Removal

Place vehicle on a wheel-free car hoist, lift it and remove wheels.

Vehicles equipped **with xenon headlight** the movable element of sensor for the headlamp levelling controller must be removed before.



Pay attention that support wires of brake system are strain-free during removal. Stabilization by suitable means is demanded.

Remove bottom mount.

Remove top fixing nuts from support bearing.
Do not remove central nut at this time!

Remove complete strut and clamp it in an appropriate strut vice.

Using a suitable spring compressor, compress suspension spring until tension on support bearing is free to move.

Release central nut and remove original mounting parts and coil spring. Please refer to diagram to identify which parts will be replaced with BILSTEIN- supplied components.

Installation

Assemble BILSTEIN and/ or original mounting parts, as well as the new BILSTEIN spring on the BILSTEIN strut in reverse order as removal.



IMPORTANT! Spring plates must not be adjusted outside the ranges specified in the certificate!

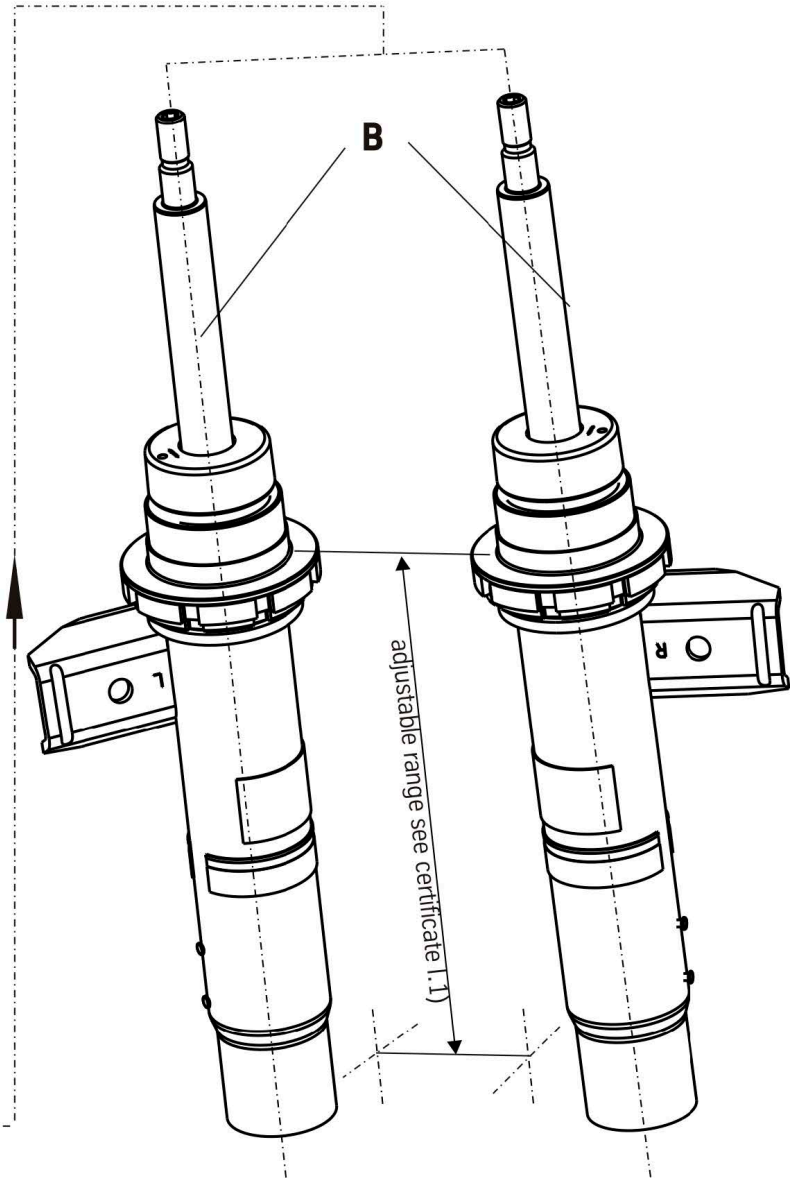
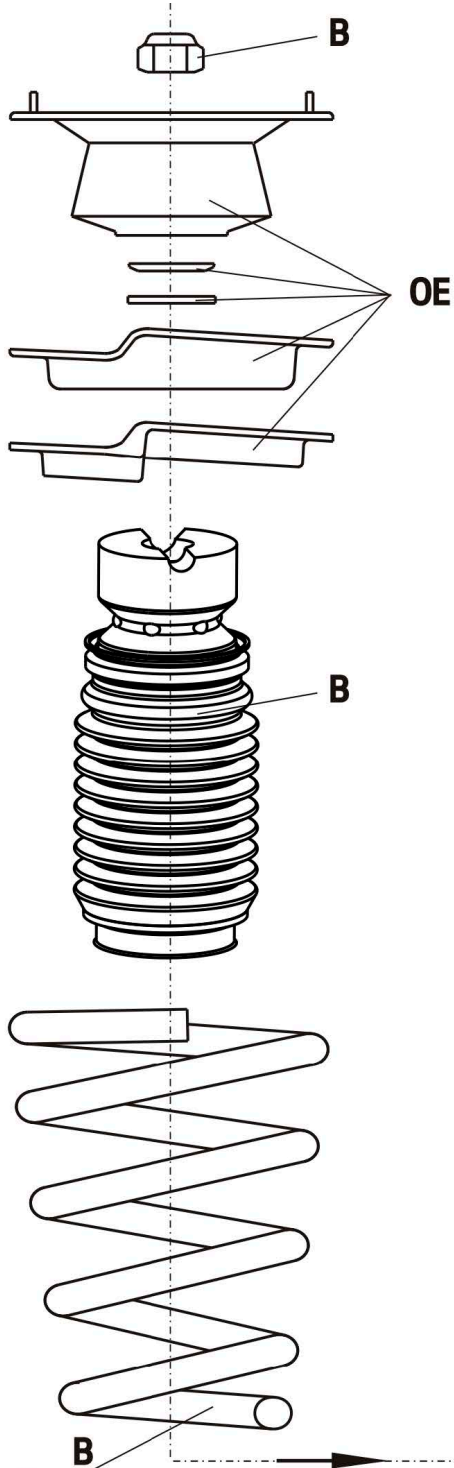
The correct mounting position of the suspension springs can be determined by the printing on the springs; install them with the print upright.

Do not reuse original- bumper, since BILSTEIN- strut has built in bump stop.

Fit assembled BILSTEIN strut to the vehicle in reverse order as removal.

OE= Original Equipment

B= Delivered by BILSTEIN



E4-FD1-Y917A00

Removal

Place vehicle on a wheel-free car hoist, lift it and remove wheels.



Pay attention that support wires of brake system are strain-free during removal. Stabilization by suitable means is demanded.

Remove top and bottom fixing mount from support bearing.

Remove shock absorber and original mounting parts.

Installing

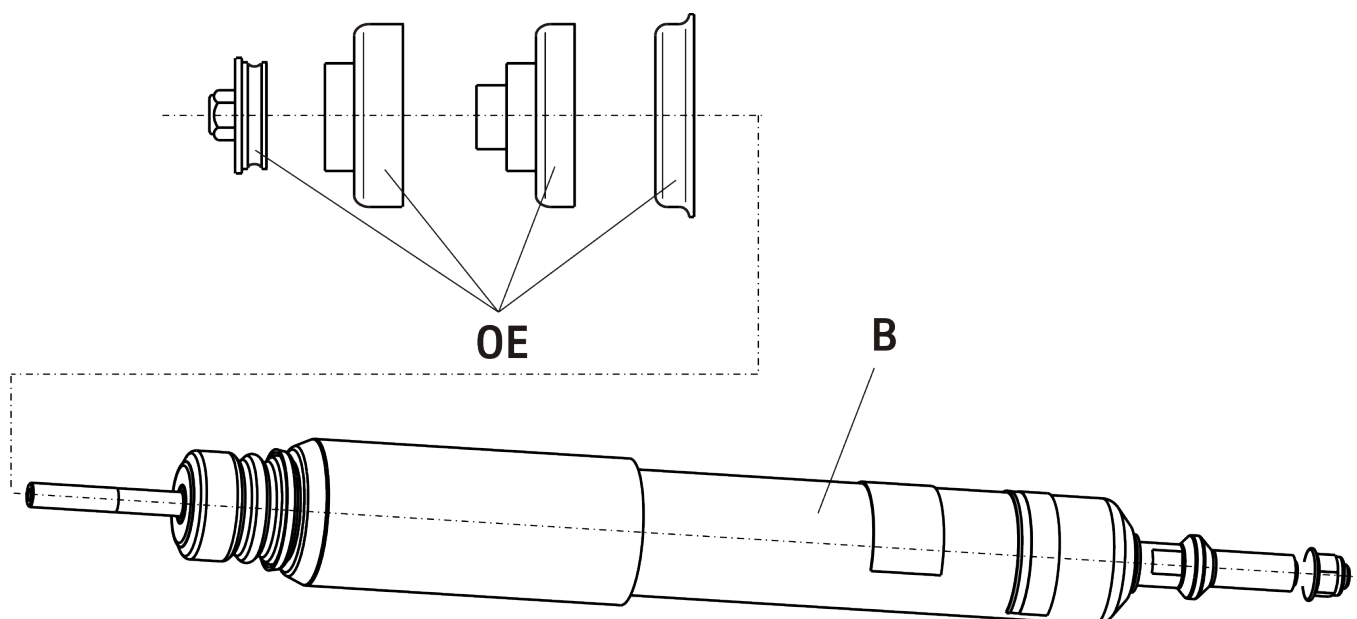
Assemble BILSTEIN and/ or original mounting parts on BILSTEIN shock absorber in reverse order to removal.



IMPORTANT! Spring plates must not be adjusted outside the ranges specified in the certificate!

Fit assembled shock absorber to the vehicle in reverse order to removal.

The correct mounting position of the suspension springs can be determined by the printing on the springs; install them with the print upright.



OE= Original Equipment

B= Delivered by BILSTEIN

