



BEDSLIDE  [®]

GM10-6848KT

GM10-7848KT

2019 GM- T1

5.8' & 6.8' SHORT BEDS

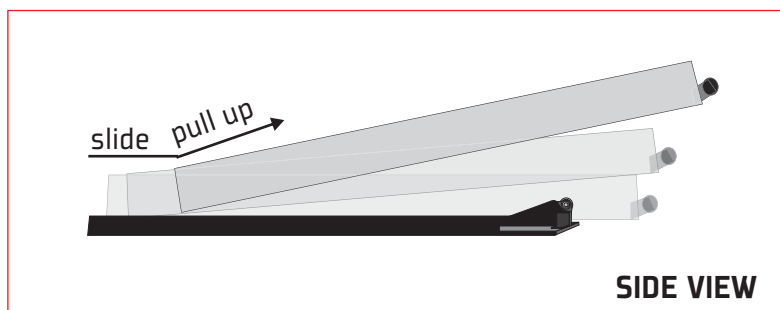
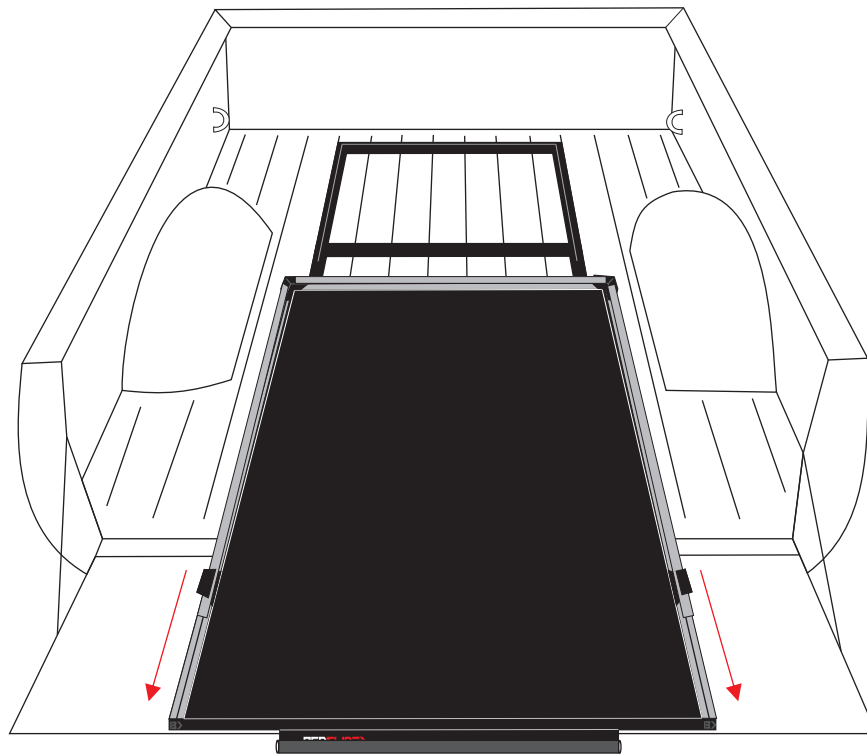
Supplied Hardware: (1) Cab end mount bracket,
(2) Side mounting brackets

Tools Needed: 1/2" socket, 11/16" open end wrench

STEP 1.

SEPARATE SLIDING TOP FRAME FROM THE BASE

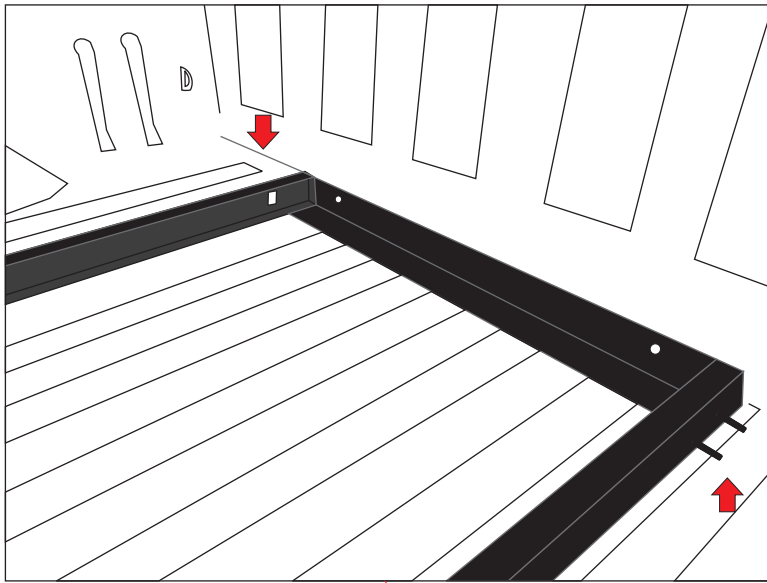
With the complete BEDSLIDE® resting inside the bed, fully extend the unit and remove the top frame by lifting up and out. There are welded safety stops must go up and over the rear roller bearings and spacer blocks in order for the top frame to release.



STEP 2.

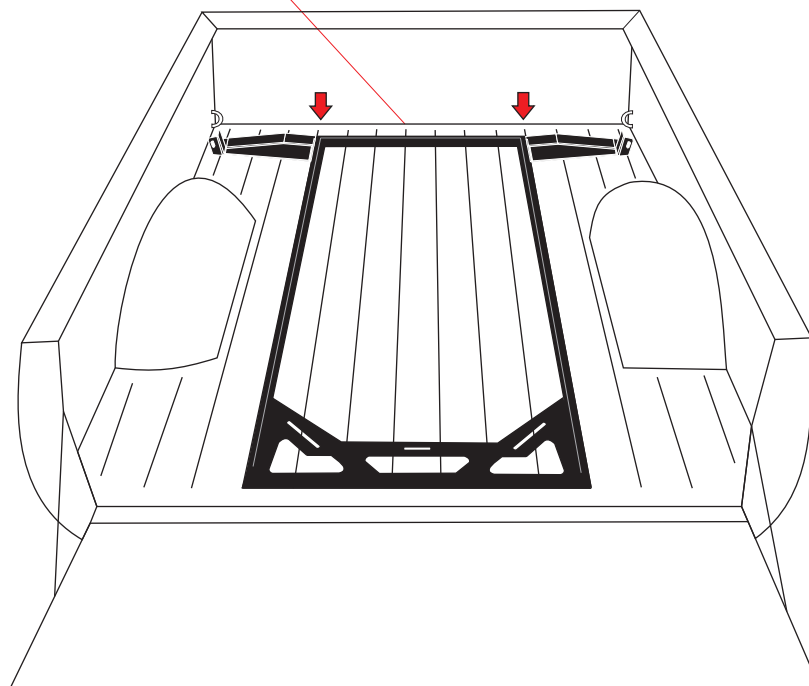
ATTACH FRONT MOUNTING BRACKETS

Attach the left & right cab end mounting brackets to the threaded studs on the base frame and secure them using the supplied 5/16-18 serrated flange nuts.



x4

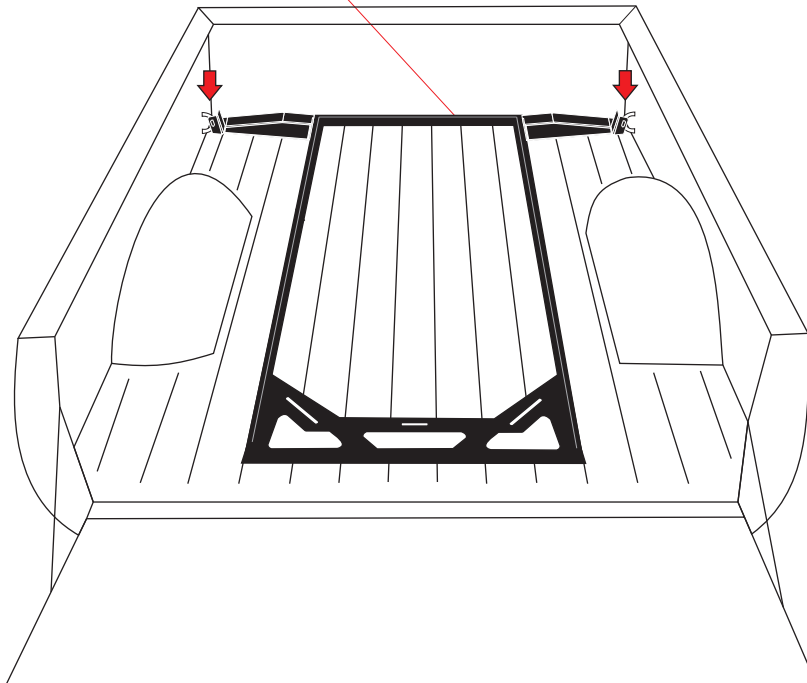
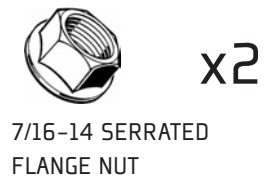
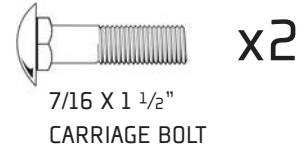
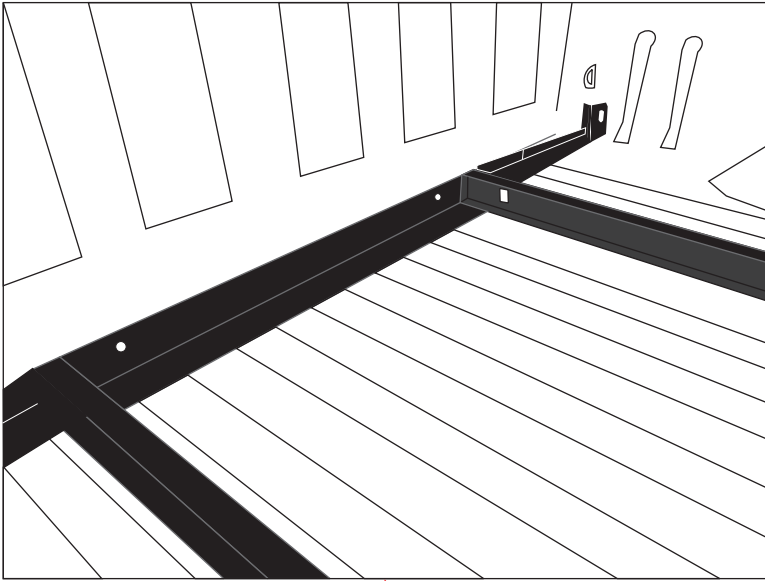
5/16-18 SERRATED
FLANGE NUT



STEP 3.

SECURE BASE FRAME TO CAB END TIE DOWN POINTS

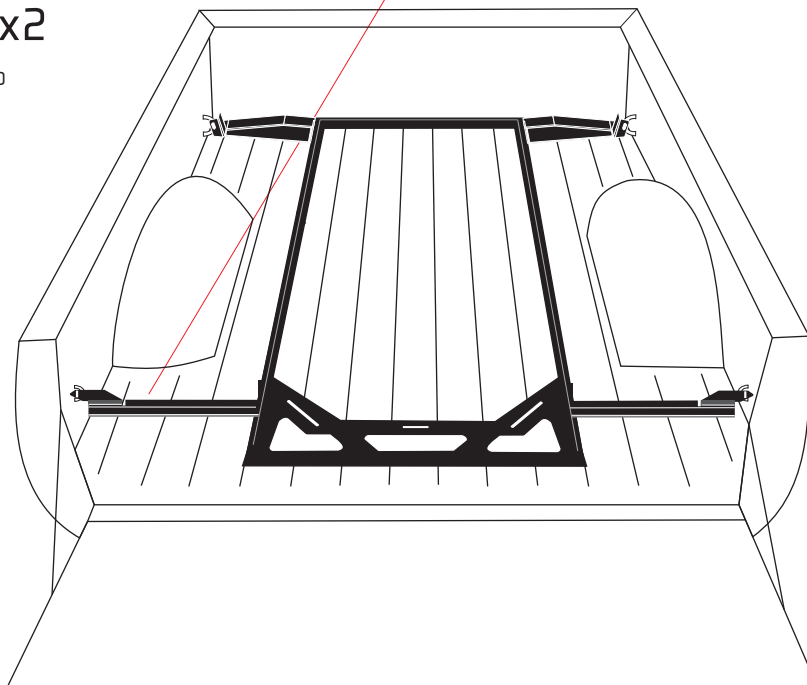
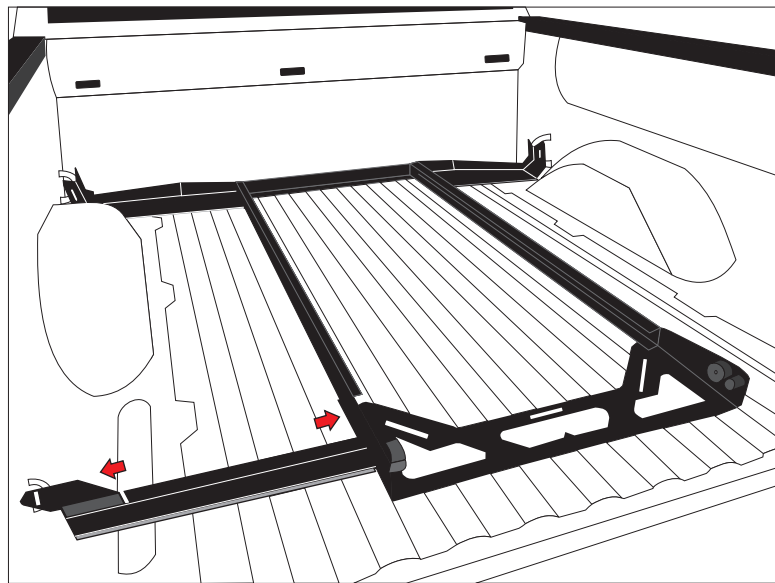
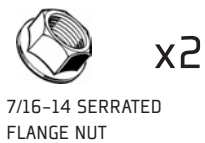
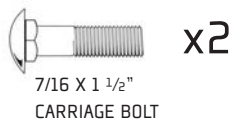
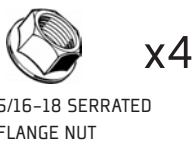
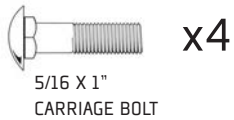
Slide base frame forward so the mounting brackets attached to each side of the frame rest in front of the tie down points located at each corner inside of the bed. Secure each bracket to the tie downs using (2) supplied 7/16 x 1 1/2" carriage bolts and (2) 7/16-14 serrated flange nuts.



STEP 4.

SECURE BASE FRAME AT TAILGATE END (LEFT & RIGHT SIDE)

Take the left (Driver) mounting bracket and align the 2 holes on the bracket with the 2 holes on the side of the base frame. Run a supplied 5/16-18 x 1" carriage bolt through each hole from inside the frame and secure with (2) 5/16-18 serrated flange nuts to the outside. Next, insert a supplied 7/16 x 1 1/2" carriage bolt through a D-style washer and run the assembly through the back (cab side) of the factory tie down hook and into the mounting bracket. Secure left mounting bracket with a 7/16-14 serrated flange nut. Repeat this same process to the passengers side.



STEP 5.

RE-INSTALL SLIDING TOP FRAME

Re-install the BEDSLIDE® top frame into the base by placing top frame over the rear bearings and sliding the frame forward to the stowed position.

That's it! Your BEDSLIDE® install is complete!

