

Supplied Hardware: (4) TRAX slot mounts,
(4) 1/4-20 phillips combo head



MINI KIX

Tools Needed: Hack saw or chop saw, 1/8" allen wrench,
Phillips screwdriver

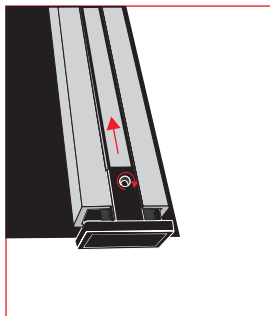
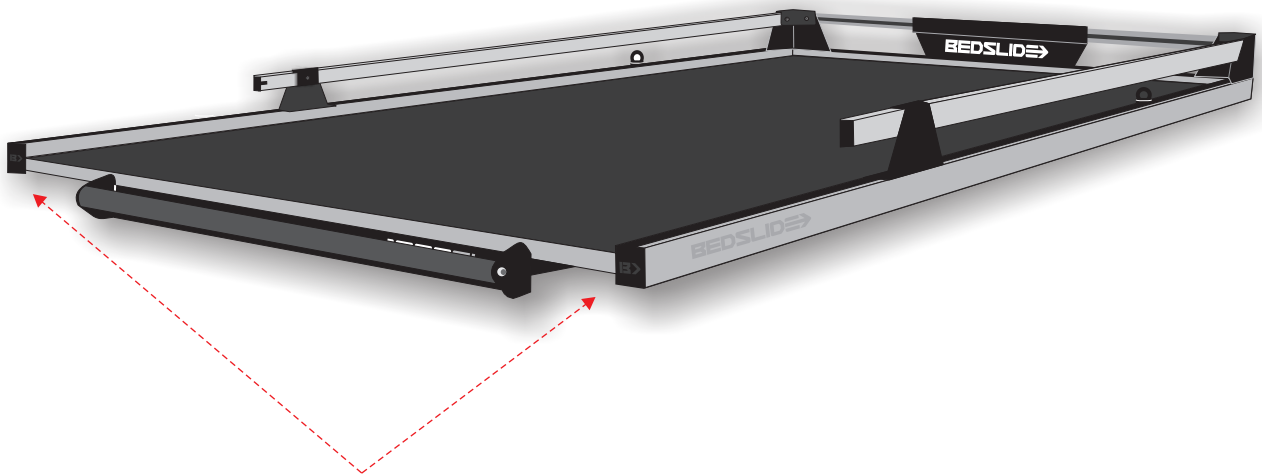
ATTACHING THE MINI KIX TO THE BEDSLIDE WILL REQUIRE SHORTENING OF THE GUARDRAILS. PLEASE REFER TO THE CUT CHART BELOW AND CUT GUARDRAILS TO THE APPROPRIATE LENGTH BEFORE ASSEMBLY.

GUARDRAIL CUT CHART					
BEDSLIDE PART NUMBERS			FACTORY GUARDRAIL LENGTH	CUT	NEW GUARDRAIL LENGTH
1000 CLASSIC*	1500 CONTRACTOR	2000 HEAVY DUTY			
10-9548-CL	15-9548-CG	20-9548-HD	80"	7"	73"
10-7948-CL	15-7948-CG	20-7948-HD	60"	3"	57"
10-7548-CL	15-7548-CG	20-7548-HD	60"	6"	54"
10-7543-CL	15-7348-CG		60"	9"	51"
10-7142-CL			60"	11"	49"
10-7041-CL			60"	12"	48"
10-7038-CL			60"	12"	48"
10-6548-CL	15-6548-CG		50"	7"	43"
10-6347-CL	15-6347-CG		50"	9"	41"
10-6243-CL			50"	11"	39"
10-5839-CL			50"	14"	36"
*CLASSIC GUARDRAIL KIT SOLD SEPERATELY					

STEP 1.

INSERT TRAX SLOT MOUNTS

Loosen set screw and remove each end cap located at the rear (handle end) of the slide secured to the BEDTRAX. Insert (2) TRAX SLOT MOUNTS down each side of the BEDTRAX, re-install the end caps and tighten each set screw.



STEP 2.

MOUNT MINI KIX TO BEDTRAX

NOTE: The MINI KIX are directional so make certain the "B>" logo is facing forward and out!

Attach each MINI KIX to the TRAX SLOT MOUNTS by aligning the mounting holes inside the BIN with the threaded center hole in each TRAX SLOT MOUNT. Secure with (2) 1/4-20 x 1 1/4 phillips combo head. Repeat to the opposite side.

