



**BEDSLIDE**  <sup>®</sup>

**Supplied Hardware:** [8-14] 1/4-20 Allen head bolts,  
[12-18] UHMW mount blocks, [4] D-ring tie downs

**BEDSLIDE**  
GET TO IT.®



**INSTALLATION  
INSTRUCTIONS**

**Tools Needed:** Allen head wrench

**STEP 1.**

**INSERT (2) MOUNT BLOCKS INTO BEDTRAX (CAB END)**

Loosen set screw on one of the plastic end caps of the front (cab end) BEDTRAX. Remove end cap and insert (2) MOUNT BLOCKS. Re-install end cap and tighten the set screw. **These MOUNT BLOCKS will be used to secure the corner towers in the next step.**

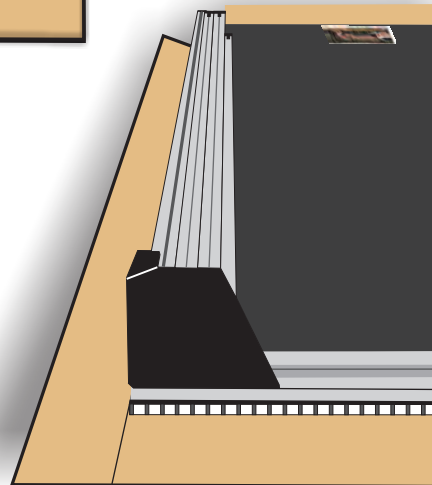
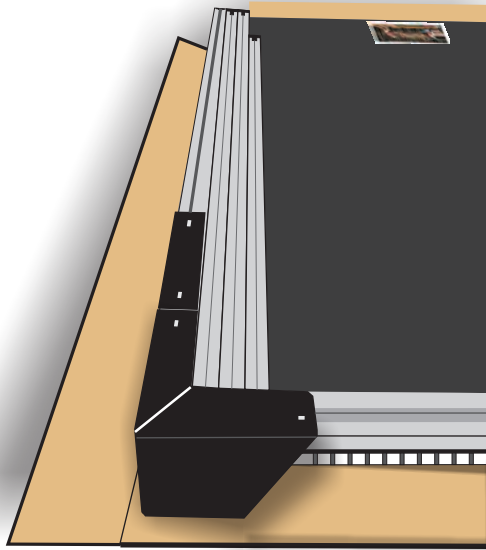
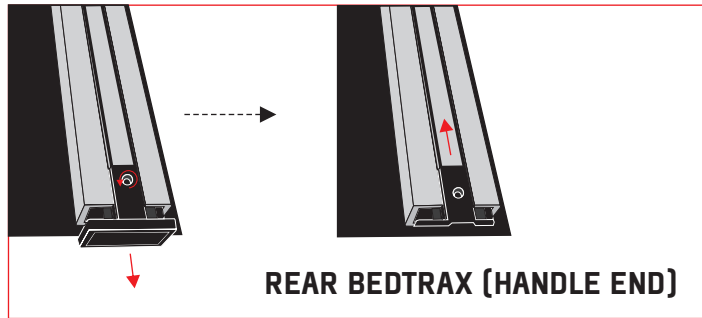


## STEP 2.

### MOUNT CORNER TOWER

*\*CORNER TOWERS are positioned upside down and rest on the BEDTRAX for shipping purposes.*

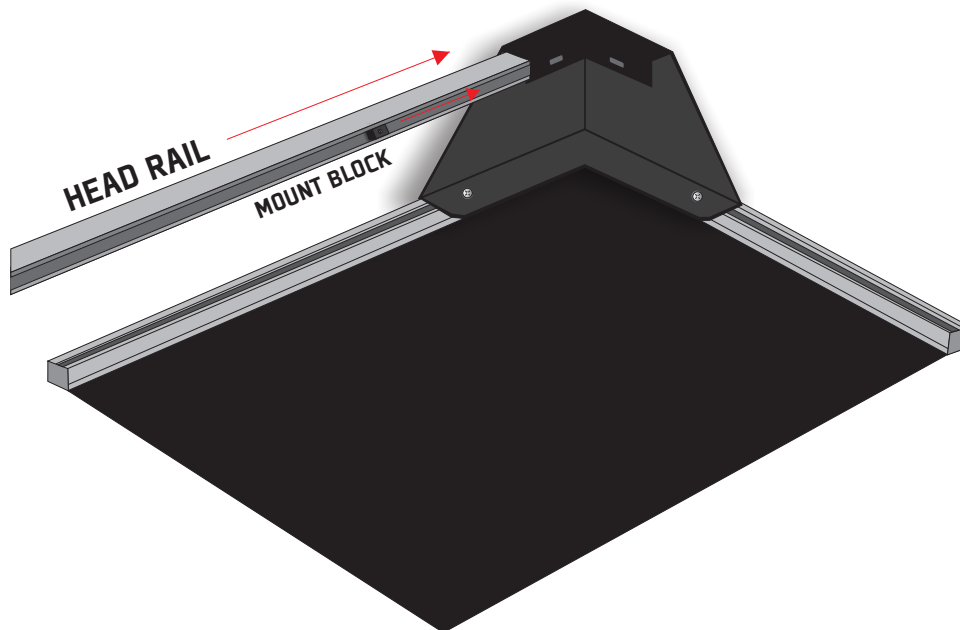
Loosen set screw on both of the plastic end caps located at the rear (tailgate end) of the BEDTRAX. Remove end caps and insert (4) MOUNT BLOCKS down each side of the BEDTRAX. *\*Insert (6) MOUNT BLOCKS per side if your BEDSLIDE is equipped with GUARDRAILS.* Set end caps aside. Next invert CORNER TOWER, slide MOUNT BLOCKS underneath the CORNER TOWER so they line up with the mount holes. Secure using the supplied 1/4-20 x 3/4" allen head bolts in to the MOUNT BLOCKS.



**STEP 3.**

**MOUNT HEAD RAIL TO CORNER TOWER**

Slide one end of the HEAD RAIL with slot facing forward into the mounted corner tower. Insert a MOUNT BLOCK into the HEAD RAIL and slide over to the CORNER TOWER so that the threaded hole is center with the mounting hole on the CORNER TOWER. Fasten together with a 1/4-20 x 3/4" allen head bolt.

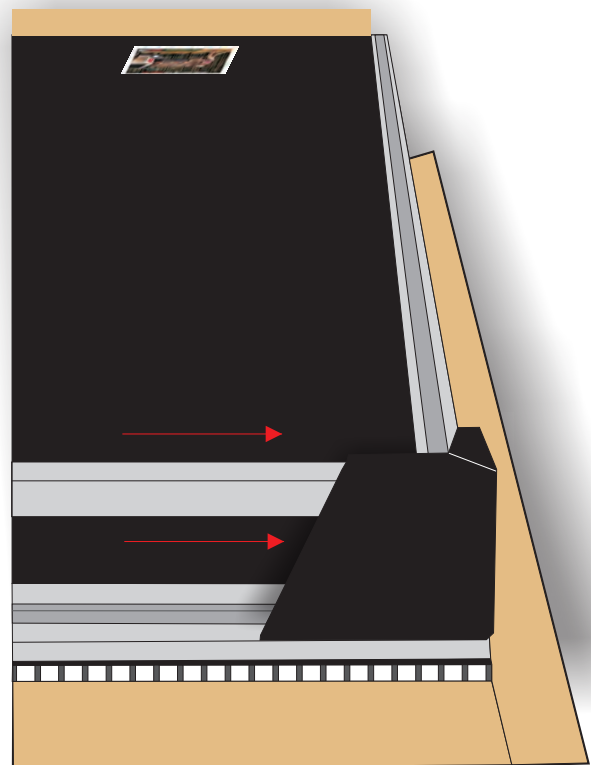
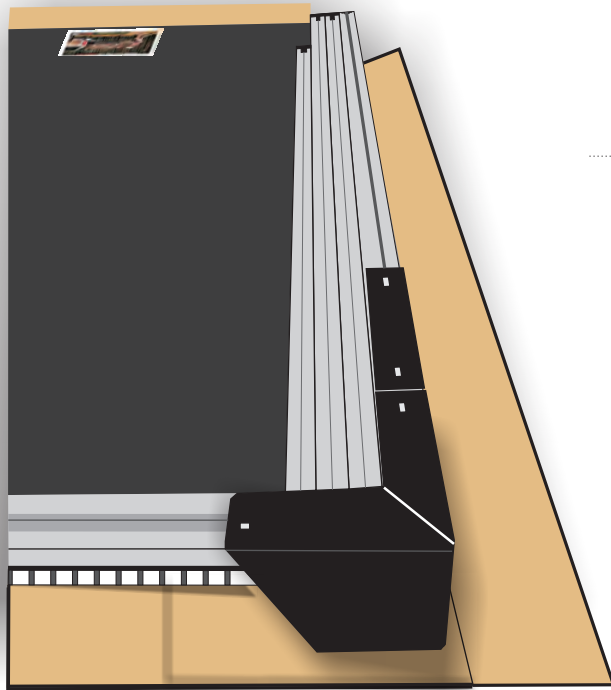


#### STEP 4.

#### MOUNT CORNER TOWER (opposite side)

*\*CORNER TOWERS are positioned upside down and rest on the unit for shipping purposes.*

Insert a MOUNT BLOCK into the aluminum HEAD RAIL then invert the CORNER TOWER and slide open end into the HEAD RAIL. Slide (2) MOUNT BLOCKS underneath the CORNER TOWER so they line up with the mounting holes. Secure the CORNER TOWER to the BEDTRAX with (2) supplied 1/4-20 x 3/4" allen head bolts.

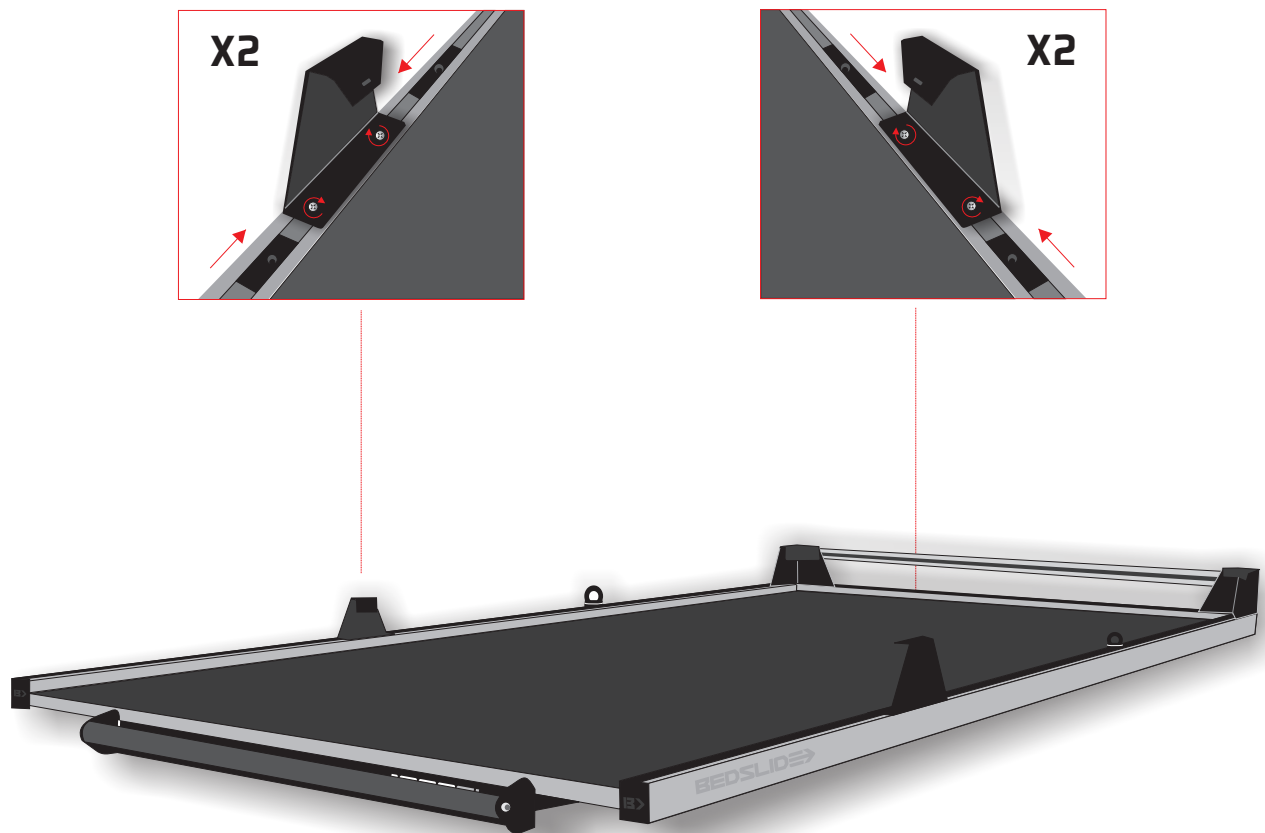


**STEP 5.**

**MOUNT SIDE TOWERS AND (2) D-RING TIE DOWNS (Optional on the BEDSLIDE® 1000)**

*\*SIDE TOWERS are positioned upside down and rest on the unit for shipping purposes.*

Invert the SIDE TOWERS with the mount holes facing inward, slide (2) MOUNT BLOCKS underneath each TOWER and secure them to the BEDTRAX with the supplied 1/4-20 x 3/4" allen head bolts. **DO NOT TIGHTEN!!** \*PLEASE NOTE: BEDSLIDE® recommends a D-ring tie down be mounted in front of and behind each of the SIDE TOWERS. Pre-install them before fastening the SIDE TOWERS.



## STEP 6.

### INSTALL GUARD RAILS (Optional on the BEDSLIDE® 1000)

Insert (2) MOUNT BLOCKS into an open end of each of the GUARD RAILS making sure they do not slide off. Then insert each GUARD RAIL into the open end of the CORNER TOWERS, slide a MOUNT BLOCK to each corner and secure with a supplied 1/4-20 x 3/4" allen head bolt. Next insert SIDE TOWERS into the closed end of the GUARD RAILS, slide a MOUNT BLOCK to the end and fasten with an allen head bolt. **\*PLEASE NOTE: 6" OF THE GUARD RAIL SHOULD BE STICKING OUT PAST THE SIDE TOWER FOR A CLEAN LOOK.**

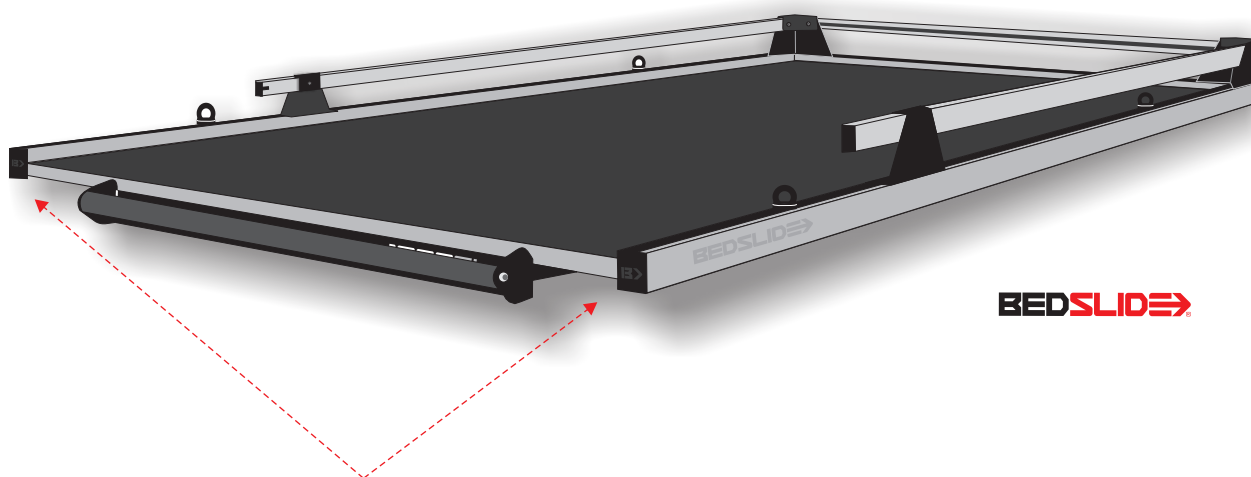


## STEP 7.

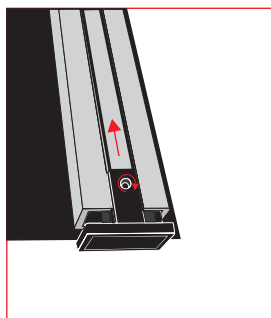
### INSTALL D-RING TIE DOWNS

Locate the (4) D-ring tie downs inside the install kit. Thread into the MOUNT BLOCKS you previously inserted into the BEDTRAX, position at desired location and tighten down. Lastly re-install the (2) plastic end caps and tighten the set screw.

**THAT'S IT! YOUR BEDSLIDE® IS FULLY ASSEMBLED!**



**BEDSLIDE** →





**Supplied Hardware:** [4] 5/16 riv nuts, [1] riv nut tool,  
[4] 5/16 x 2" hex head bolts, [4] 5/16 split lock washers,  
[4] 3/8 flat washers

**BEDSLIDE**  
GET TO IT.



**INSTALLATION  
INSTRUCTIONS**

**\*OPTIONAL QUICK PIN INSTALLATION**

**Supplied with BEDSLIDE 1000 model only:**

[2] mounting pins, [2] 3/8 lock washers, [2] 3/8 hex nuts

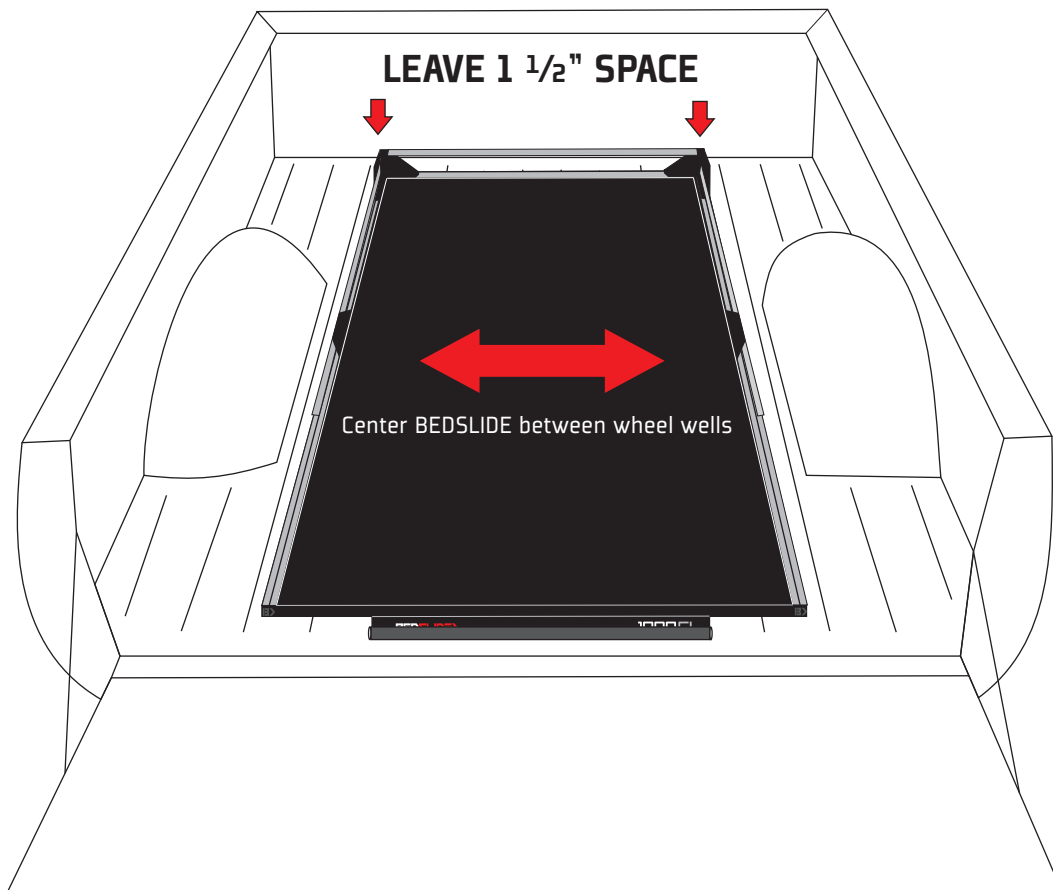
**Tools Needed:** Drill, 1/2" drill bit, sharpie, tape measure,  
1/2" socket, ratchet, 1/2" open end wrench

**STEP 1.**

**CENTER BEDSLIDE® IN TRUCK BED**

Place assembled BEDSLIDE® in truck bed. Center between the wheel wells and leave 1 1/2" clearance space between bulkhead and BEDSLIDE® frame. Next make sure tailgate clears the BEDSLIDE when tailgate is closed and that the BEDSLIDE® does not make contact with tailgate when slid open.

**If BEDSLIDE® does not clear the tailgate or has the step in the gate you will need our LIFT BLOCK KIT PART #FPLB1.**



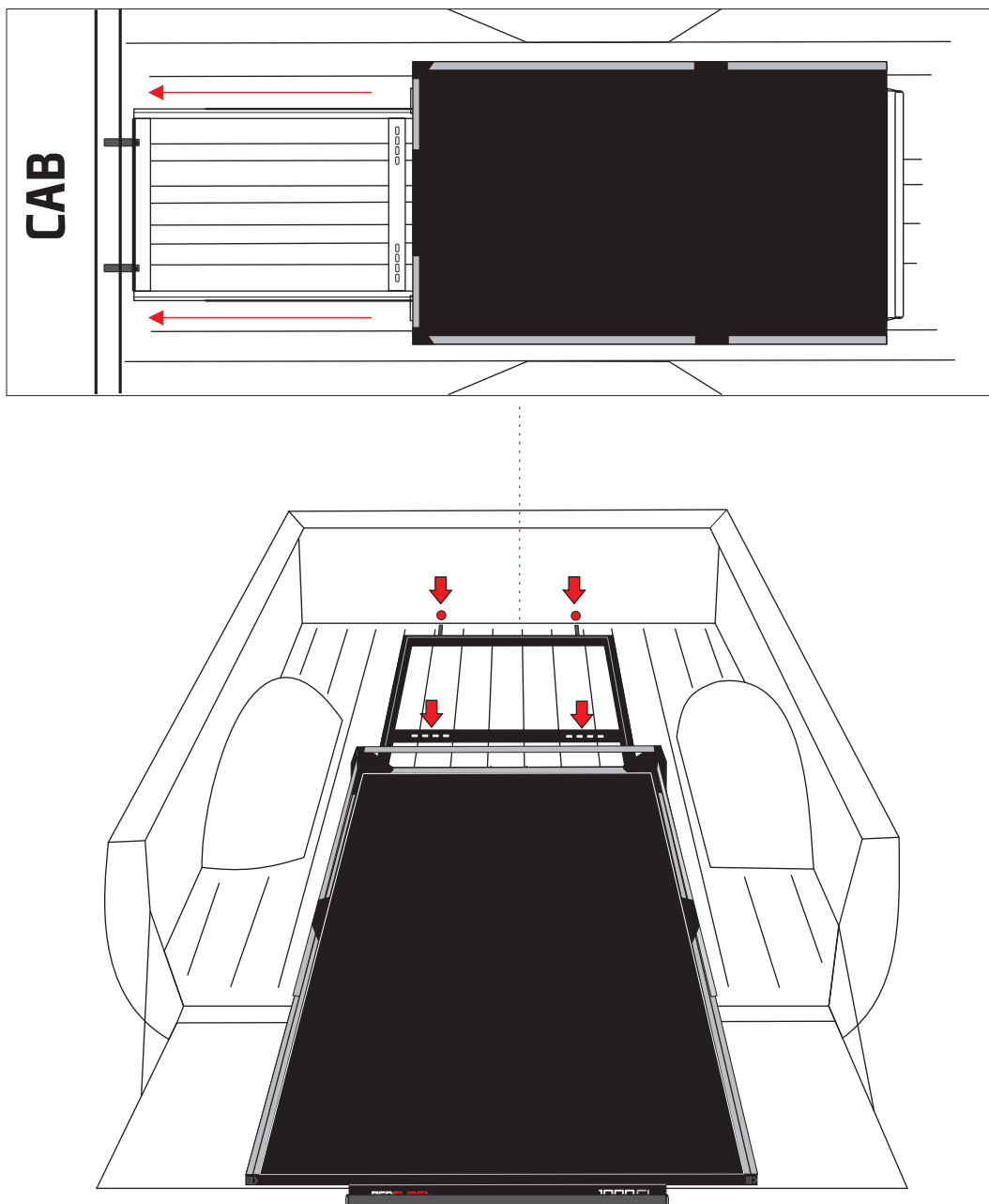
## STEP 2A.

### INSTALL BEDSLIDE® USING QUICK PIN METHOD (Only available on the 1000 CL)

PLEASE NOTE: The 1000 CL MODEL CAN BE INSTALLED USING THE OPTIONAL QUICK PIN SYSTEM. IF APPLICABLE AND WANTING TO INSTALL USING THIS METHOD CONTINUE WITH BELOW DIRECTIONS. OTHERWISE SKIP TO PAGE 5 FOR STANDARD INSTALLATION.

Attach the (2) QUICK PINS to the pre-drilled holes on the angle cross member of the base frame using the supplied 3/8 lock washers and hex nuts. Slide unit forward so the QUICK PINS make contact with the front of the truck bed. Mark around the pins, slide unit back and drill to the center of each hole using a 1/2" drill bit. Once drilled, slide the BEDSLIDE® forward so the QUICK PINS slide through the holes in the bulkhead. Slide as far forward as possible without letting the QUICK PINS make contact with the truck cab. Next mark the holes on the center cross member for drilling through the bed floor.

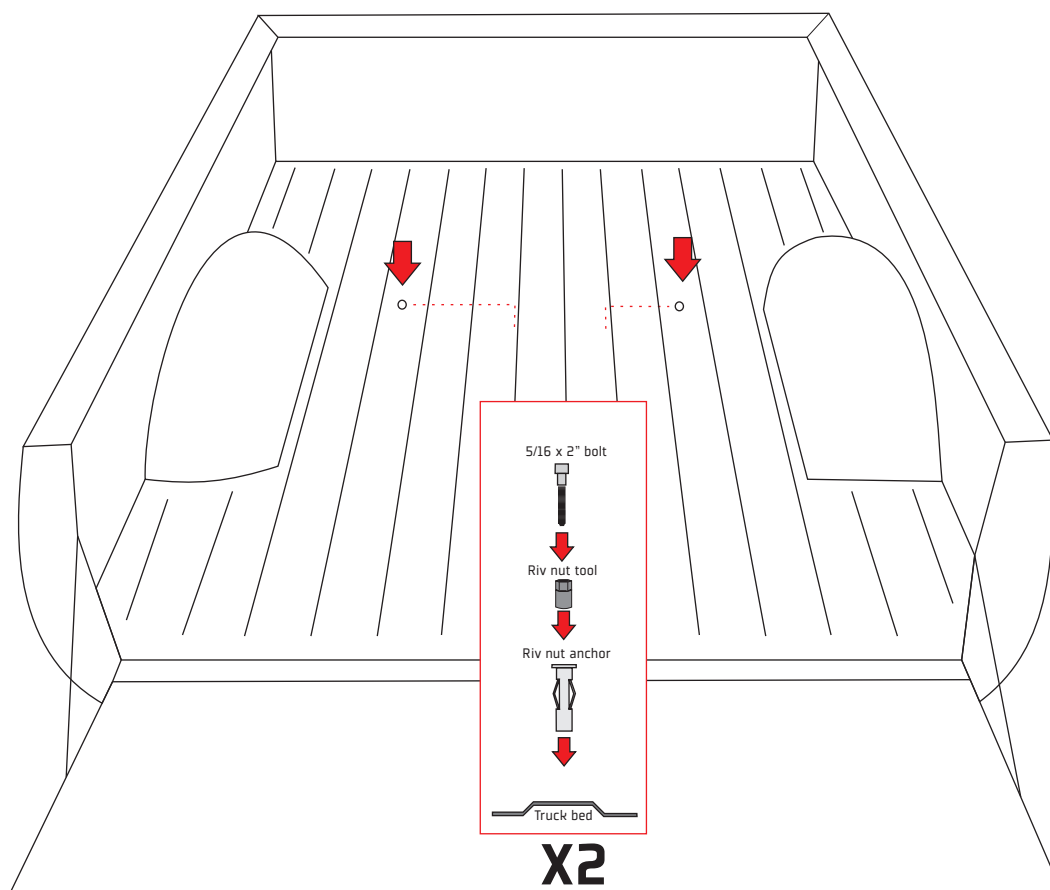
## TOP VIEW



## STEP 2B.

### INSTALL (2) RIV NUTS

Move BEDSLIDE® to access the (2) marked holes for the center cross member and drill through the bed using the  $\frac{1}{2}$ " drill bit. Next, insert a  $\frac{5}{16}$  bolt through the riv nut tool and into a riv nut. Insert the assembly into a mounting hole. Tighten the bolt while holding the riv nut tool with a  $\frac{1}{2}$ " wrench making sure the assembly sits flush with the bed. As you tighten the bolt the riv nut will compress from underneath and secure to the bed. Repeat to the remaining hole. **Do not over tighten! Do not use air impact tools!**



## STEP 2C.

### COMPLETE INSTALLATION OF BEDSLIDE® USING QUICK PIN METHOD

(Only available on the 1000 CL)

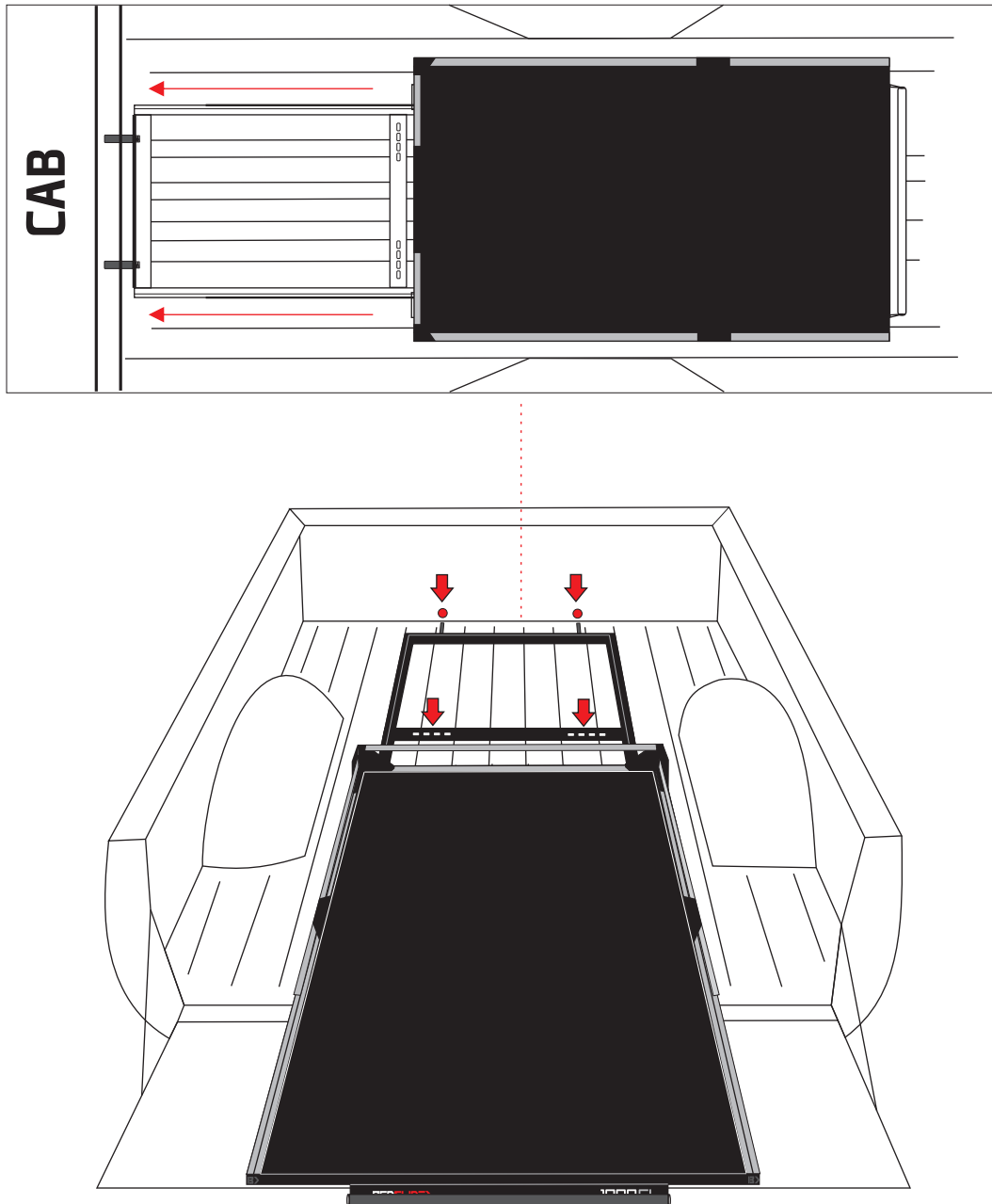
Slide BEDSLIDE® forward and insert QUICK PINS through the holes drilled in the bulkhead.

Align mounting holes on center cross member with mounted riv nuts in the bed floor.

Secure with (2) 5/16 x 2" bolts through the riv nuts.

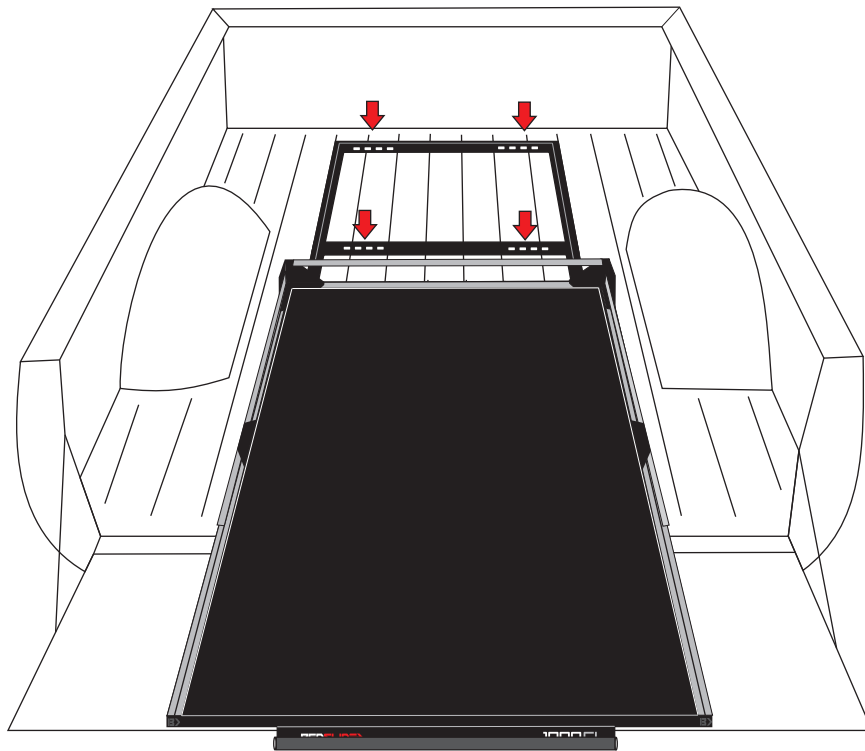
That's it! Your BEDSLIDE® install is complete!

## TOP VIEW



### STEP 3.

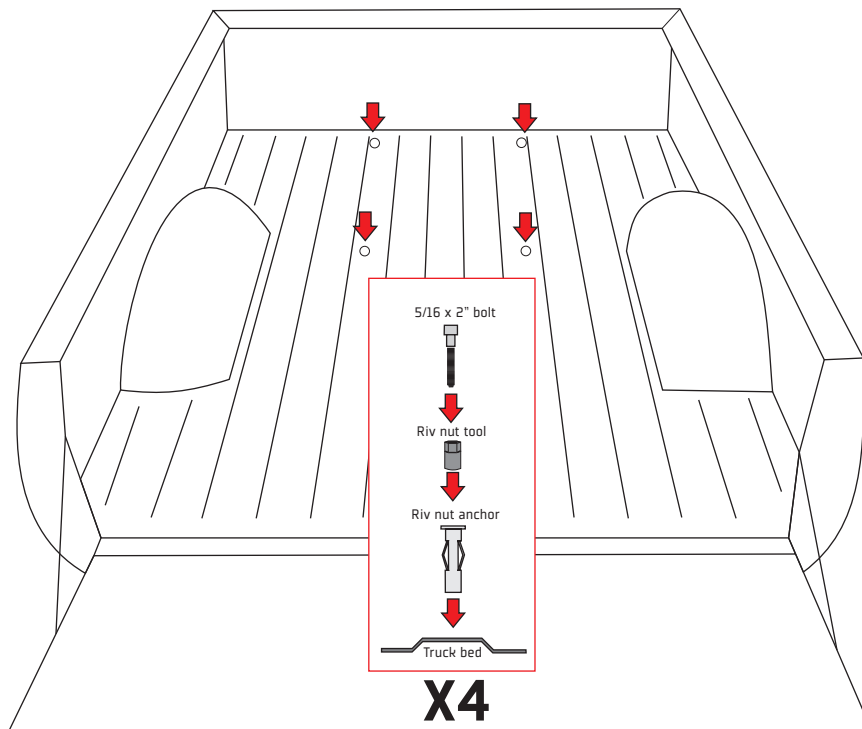
Slowly move upper tray out from closed position and avoid shifting hole placement. Mark and drill (4) 1/2" mounting holes using the pre-punched holes in the cab end and center cross member. Use the hole that rests on the highest part of the truck bed floor.



## STEP 4.

### INSTALL (4) RIV NUTS

Move BEDSLIDE® to access the (4) marked holes for the center cross member and drill through the bed using the 1/2" drill bit. Next, insert a 5/16 bolt through the riv nut tool and into a riv nut. Insert the assembly into a mounting hole. Tighten the bolt while holding the riv nut tool with a 1/2" wrench making sure the assembly sits flush with the bed. As you tighten the bolt the riv nut will compress from underneath and secure to the bed. Repeat to the remaining hole. **Do not over tighten! Do not use air impact tools!**

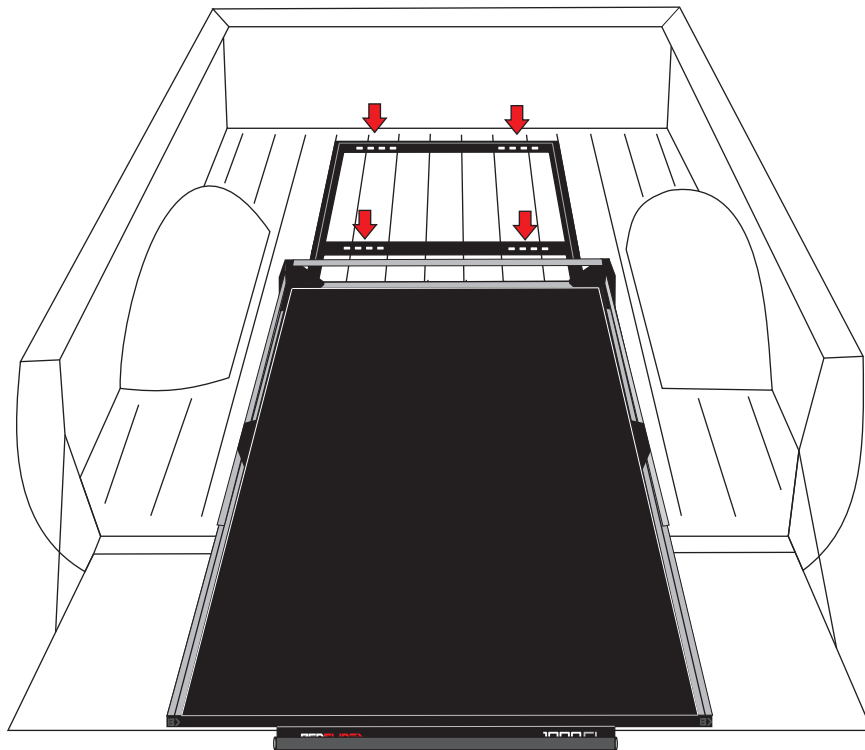


## STEP 5.

### BOLT DOWN BEDSLIDE®

Re-install BEDSLIDE® in truck bed, align each mount hole with the each riv nut in the bed.  
Bolt down at each mounting location using a 5/16 x 2" bolt.

That's it! Your BEDSLIDE® install is complete!



**BEDSLIDE®**

# ACCESSORIES

## BEDSLIDE® BEDBASKET

Get more storage with the BEDBASKET. Add an upper tray basket to any BEDSLIDE® equipped with the GUARDRAIL system. Simply slide the BEDBASKET into the T-slot on the upper GUARDRAIL and you've just added extra storage and a better way to get organized.

- 100 lbs** capacity
- EASY INSTALLATION** with T-slot track and hand tighten attachment
- STEEL CONSTRUCTION** with a black powder coat finish
- PART NUMBER BSA-BBT48** fits ONLY 48" wide BEDSLIDES
- DIMENSION** 33.5"L x 48"W x 6"Deep





# ACCESSORIES

## BEDSLIDE® CLASSIC GUARDRAILS

Get more containment with GUARDRAILS. Add GUARDRAILS to any BEDSLIDE 1000 CLASSIC. GUARDRAILS provide containment to cargo and equipment from falling off the side of the BEDSLIDE®. With the added T-slot your options for cargo management keep getting better.

- EASY INSTALLATION** with T-slot track and hand tighten attachment
- EQUIPPED** with (2) GUARDRAILS, (2) towers
- AVAILABLE** in three sizes, 80", 60", and 50" lengths
- PART NUMBER** BSA-GRK80 [95" long applications], BSA-GRK60 [79" to 70" long applications], BSA-GRK50 [65" and shorter applications]



Choose premium truck bed accessories now and transport your cargo safely and easily.