

SLA-100 + SLA82AAD

Thank you for purchasing Beat-Sonic USA Electronic Adapter, SLA-100.
Please read carefully and follow these instructions before installing this product.

Car Model	Year	Chassis Code
Land Cruiser/ Lexus LX 470	1998~2002	GF-UZJ100W *KG-UZJ100 W*GF-HDJ101K

Product Features

- OEM head unit can be substituted for aftermarket head unit.
- OEM amplifier and the speaker can be used as it is.

Note:

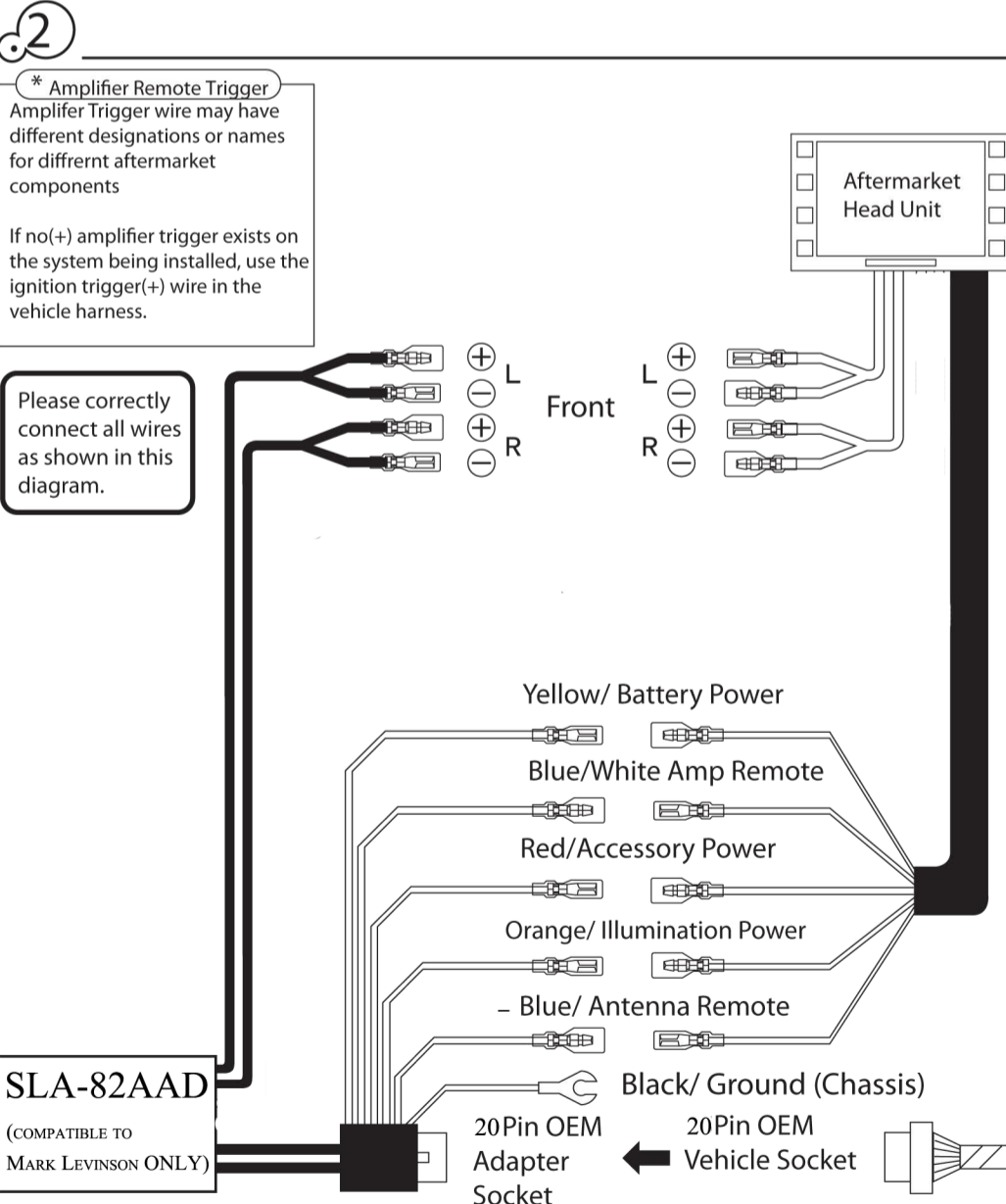
-This product is incompatible on vehicles with Multi-Vision Monitor Screens

Included in the kit

Electronic Adapter, Faceplate, Bracket(2) Double-sided Tape,

Mount all components in locations that will not inhibit safe driving or obstruct the motions of the various components of the vehicle function. Be cautious so as not to damage wires, piping, tanks and other areas as installed in the vehicle. Avoid wet, dusty, or areas of extreme temperatures for installation.

Any damages resulting to the automobile of aftermarket audio systems as result of improper installations or careless installation procedures are not covered by any warranty, nor are we responsible for any injuries or damages resulting from the installation process. Please observe caution when performing installation.



All Lexus are equipped with two channel factory amplifier, therefore there's only front L & R wires available for connection.

SLA-82AAD sound module will distribute sounds to all speakers by adjusting aftermarket head unit's "front" & "rear" balance fader to the center.

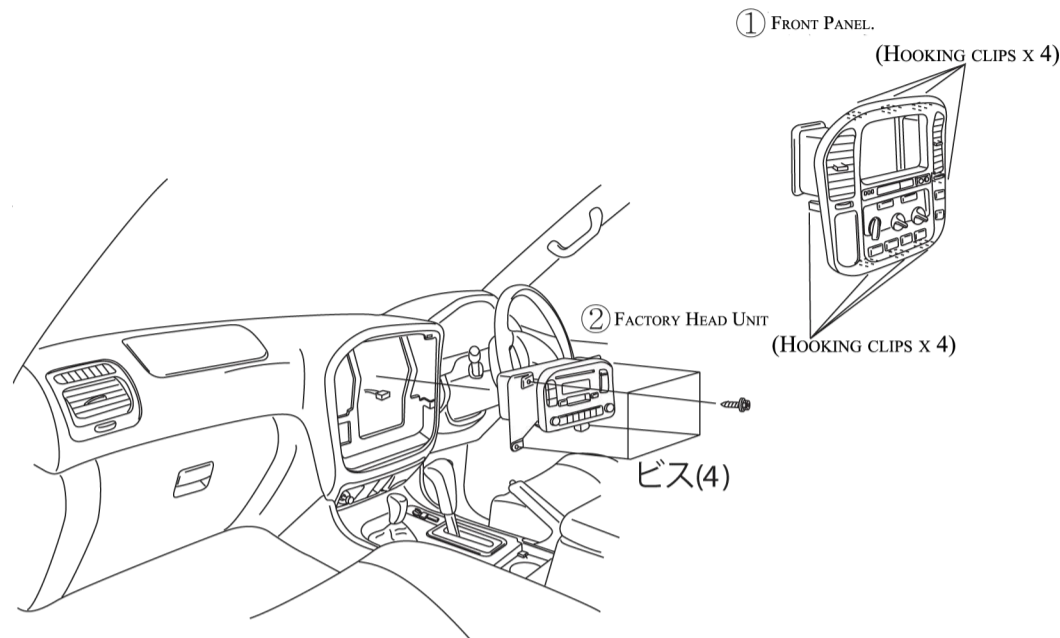
⚠ Precautions BEFORE Installation Process

- *Always disconnect the negative(-)terminal of the vehicle battery and drain all capacitors before installation.
- *Protect all wire harness placed near any metal parts of the vehicle with loom or other wire protection.
- *Always check all vehicle functions AFTER completion, such as brake lamps, turn signals.



⚠ Before starting installation, verify that the original audio system in the vehicle is fully functional. This kit will not remedy any issues that existed before the installation or faults in the original systems in the vehicle.

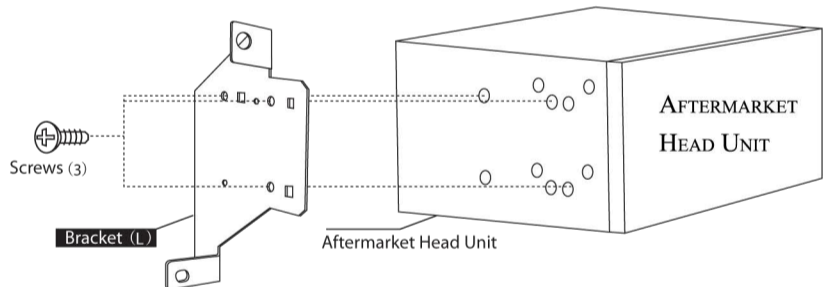
1 Removal of the original head unit



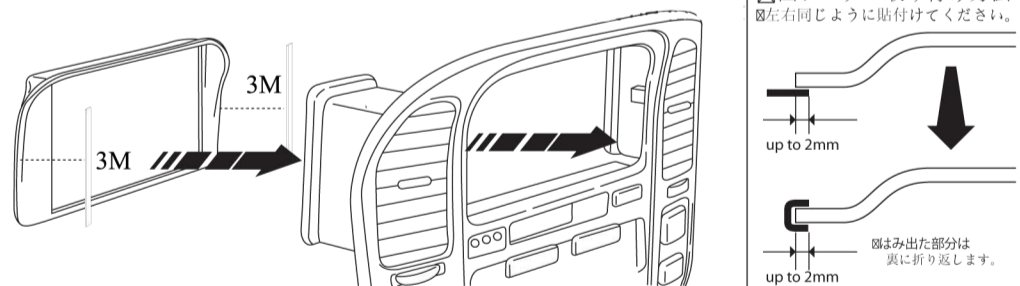
- REMOVE THE FRONT PANEL.
- REMOVE THE FACTORY HEAD UNIT.

2 Installation of the aftermarket audio head unit

1-A. ATTACH THE SIDE MOUNTING BRACKET USING THE SCREWS FROM THE AFTERMARKET HEAD UNIT.



3. MOUNT NEW FACE PANEL BY USING SUPPLIED 3M AS SHOWN.



4. VERIFY ALL CONNECTIONS OF THE WIRES AND ANTENNA, AND MOUNT THE SLA-82AAD ADAPTER UNIT IN THE MARKED AREA.



3 Check to see all connections are secure, all items are firmly in place. Check head unit functions and all vehicle controls before engaging electrical power or any test drive.