

## How to display the image from the new unit on the OEM screen

\*Beat-Sonic USA available accessory AVC12 is required.

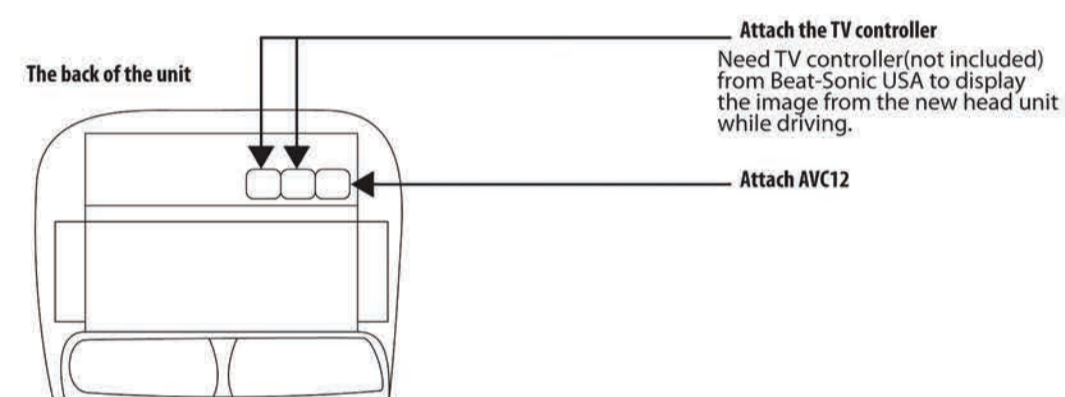
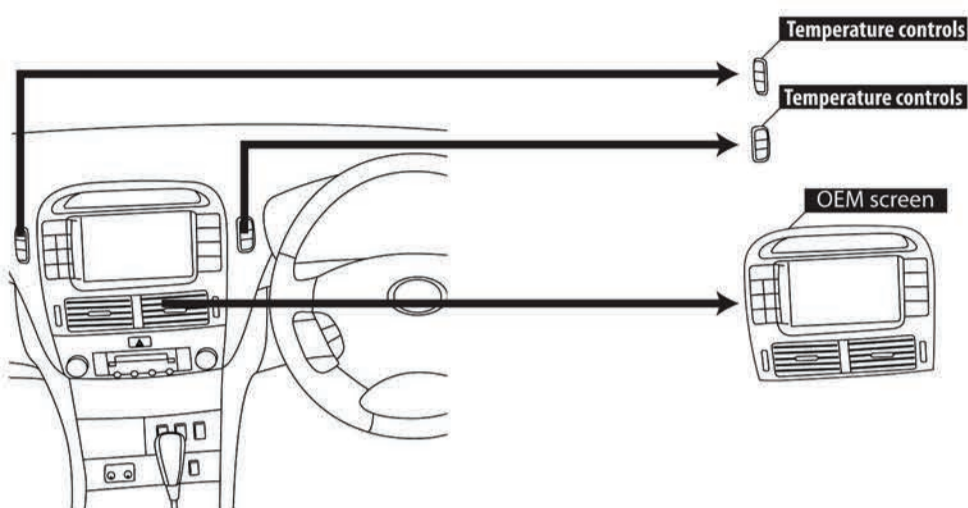
\*Disconnect the OEM head unit or the new head unit to remove/attach the OEM screen.

### 5 The OEM screen disassembly

Switch the screen from the OEM NAVI to the new head unit.

**Attach AVC12(not included) to the back of the OEM screen by the following instructions.**

1. Remove the OEM head unit. See (1) The OEM head unit disassembly for the instructions.
2. Remove the temperature controls(the climate controls). (2 hooks x 2)
3. Remove the bolts behind the temperature controls (the climate controls) from the OEM screen. (2 bolts x 2)
4. Remove the OEM screen (4 hooks).
5. Attach AVC12(not included) to the back of the OEM screen.



## Basic operation A

\*The following instructions do not explain how to display the image from the new head unit on the OEM screen.

\*See(Basic operation B) for the instructions.

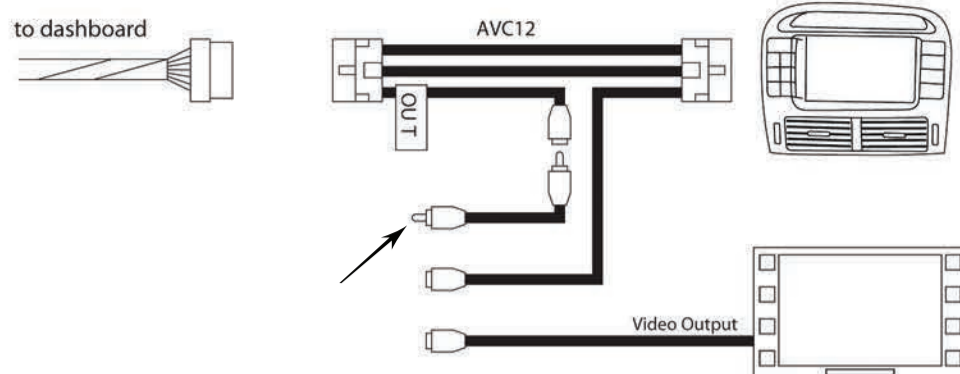
### Display the navigation

Press the (Current Location) on the left side of the screen to display the navigation on the factory screen.

### Adjust the volume

Press the volume control button on the steering switch to adjust the volume.

## 6 AVC12 and BR02 installation



- See (2) Adaptor connections for the instructions
- Attach AVC12 to the back of the factory screen. Do not connect to MVA-23.

## 7 Test after the installation

Procedures	Suggested Solution
<input type="radio"/> Turn the ignition key to ACC	
<input type="radio"/> Press the (Current Location) on the left side of the factory screen, and display the map screen.	When no image on the factory TV, check the connection to AVC12 and BR02.
<input type="radio"/> Check if the volume changes by the volume control button on the steering switch, and adjust the volume.	When no map screen, check the connection to MVA-23.
<input type="radio"/> Check if the new head unit works properly, and adjust the volume of the new head unit	When the factory screen display black, press the (Current Location) button and display the map screen.
<input type="radio"/> Press the (AUDIO) button on the left side of the factory screen and display the image from the new head unit.	When no sound, check the connection and setting of MVA-23 and the new head unit.

## Basic operation B

The following instructions explain how to display the image from the new head unit on the factory screen.

\* AVC12, and the video cable(not included) are needed.

\*The TV controller(not included) is needed to display the image from the new unit on the factory screen while driving

### Display the image from the new head unit on the factory screen.

Press the (AUDIO) on the left side of the factory screen, and touch the (PICTURE) from the MENU of the screen. The image from the new head unit on the factory screen appears.

### Display the navigation

Press the (Current Location) on the left side of the screen to display the navigation on the factory screen.

Audio cannot be switched.

### Adjust the volume

Press the volume control button on the steering switch to adjust the volume.