

Car Model	Year	Chassis Code
Honda LEGEND	H10/9~H16/10	KA9

Thank you for purchasing Beat/Sonic USA Electronic Adapter, HSA-11.  
Please read carefully and follow these instructions before installing this product.

**Features:**

For 1996-1998 Acura 3.5RL without factory navigation

**Caution:**

- Both left and right rear door SP. will be disabled after installation.
- A separate amplifier will need to be installed to power up these speakers.
- The Rearspeaker becomes either of a rear door or reartray speaker.
- Cannot use CD changer and optional DVD changer

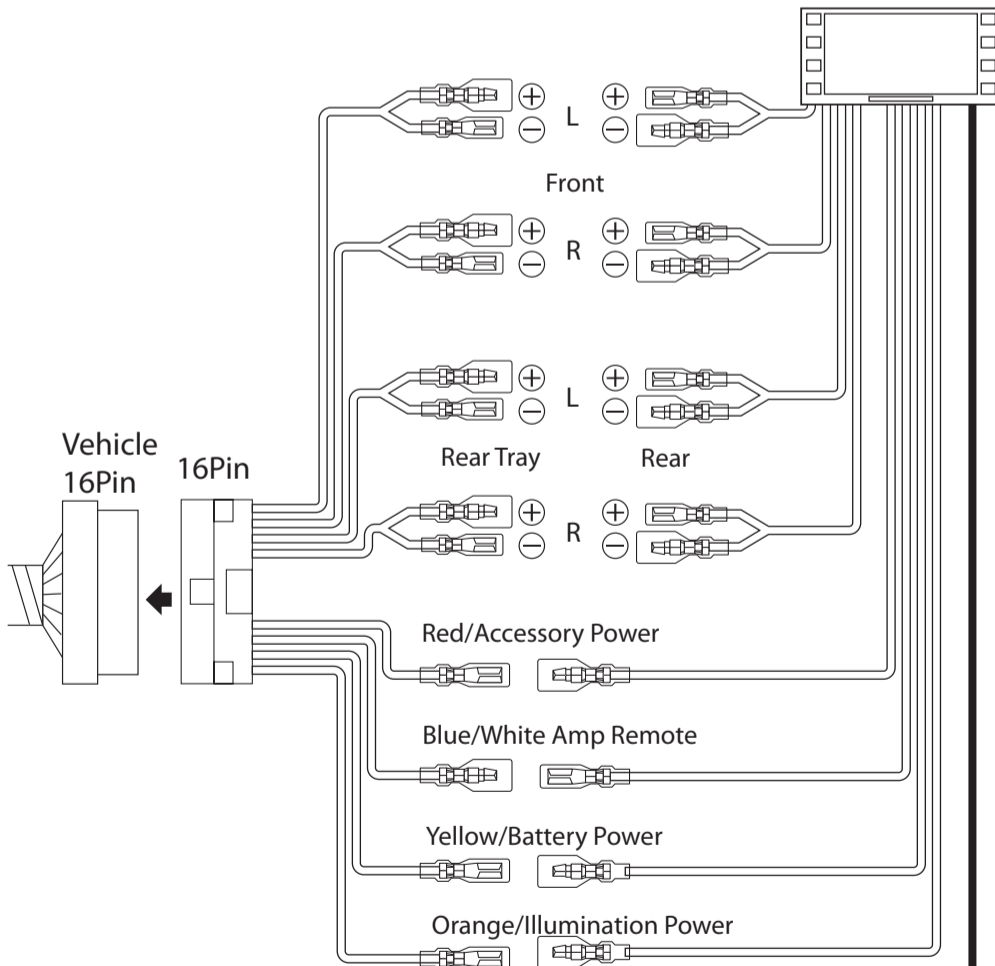
**Included in this kit:**

Wiring Connector, Faceplate(1), Brackets(L,R), Nut(4),

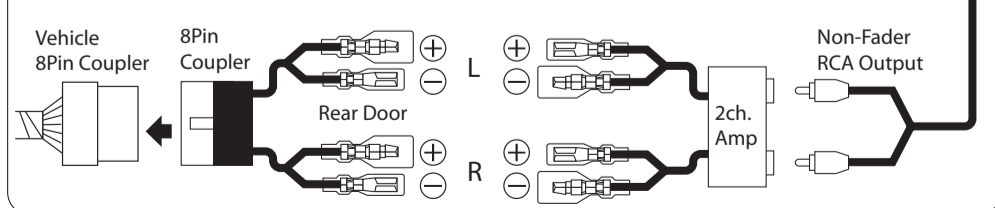
**Do not** Mount all components in locations that will not inhibit safe driving or obstruct the motions of the various components of the vehicle function. Be cautious so as not to damage wires, piping, tanks and other areas as installed in the vehicle. Avoid wet, dusty, or areas of extreme temperatures for installation.

**Caution** Any damages resulting to the automobile of aftermarket audio systems as result of improper installations or careless installation procedures are not covered by any warranty, nor are we responsible for any injuries or damages resulting from the installation process. Please observe caution when performing installation.

## 2 Installation of Adaptor



**When you sound the rear door speaker with an external amplifier.**



### Precautions BEFORE Installation Process

- Always disconnect the negative(-) terminal of the vehicle battery and drain all capacitors before installation.
- Use the masking tape to label the wires passing near the metal part of the car
- After the installation, make sure the brake lamps, headlights, turn signals and wipers work properly.

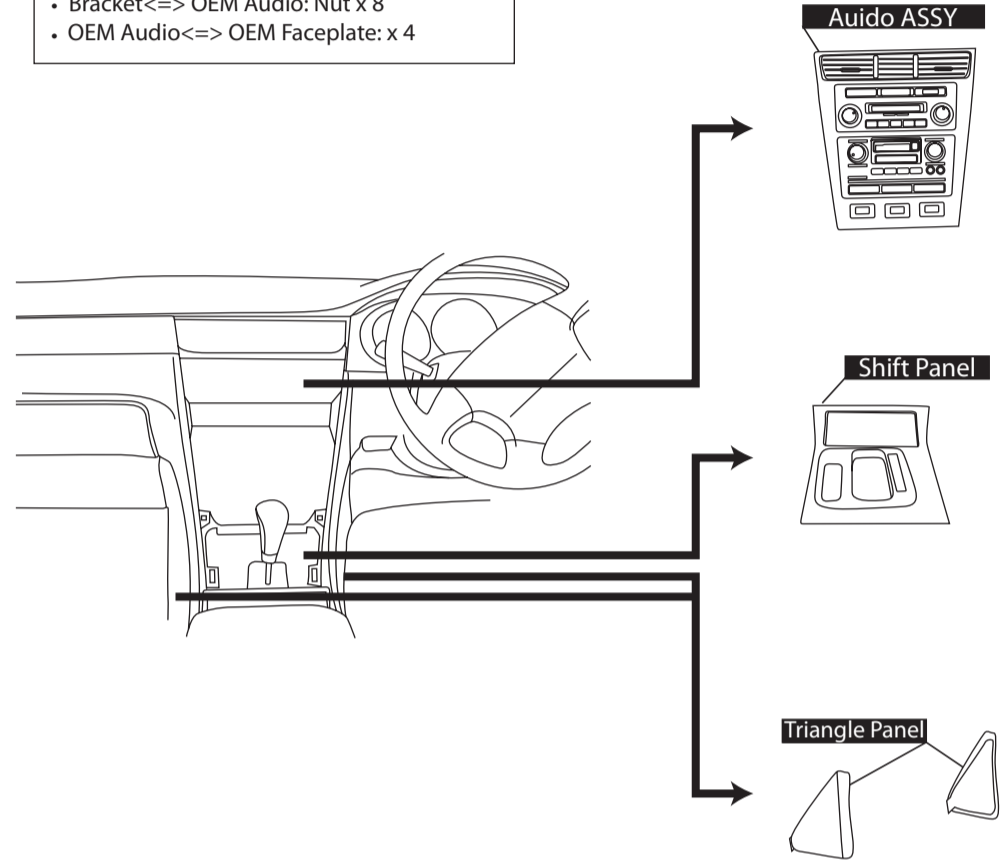


**Caution** Before starting installation, verify that the original audio system in the vehicle is fully functional. This kit will not remedy any issues that existed before the installation or faults in the original systems in the vehicle.

## 1 Removal of the Factory OEM Audio Head Unit

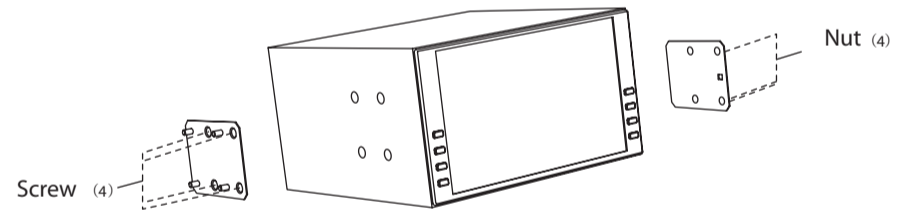
1. Remove the shift Knob
2. Remove the shift panel (Hook x 6)
3. Remove the console panel.( Hook x 4)
4. Remove the OEM audio, airconditioner controller from ASSY. (Hook x 6, Screw x 2)
5. Remove the OEM audio.  
(Remove the bracket first, then remove the OEM audio. Screw x 22)

- Bracket<=>OEM Faceplate: Nut x 6
- Bracket<=>Air controller: Nut x 4
- Bracket<=> OEM Audio: Nut x 8
- OEM Audio<=> OEM Faceplate: x 4

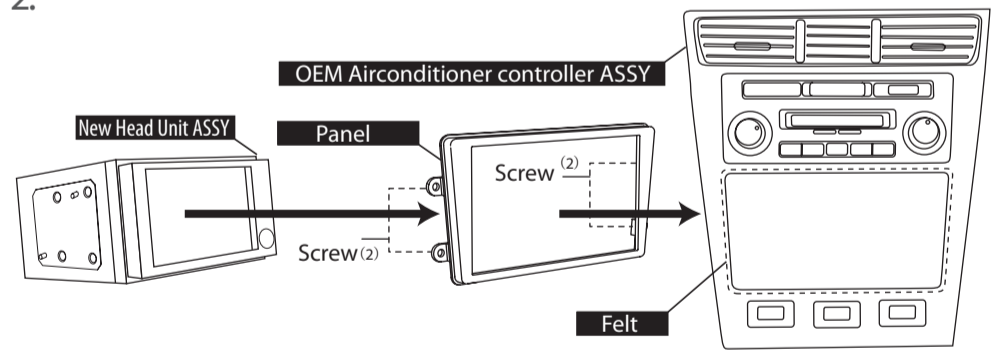


## 3 Installation of the New Head Unit

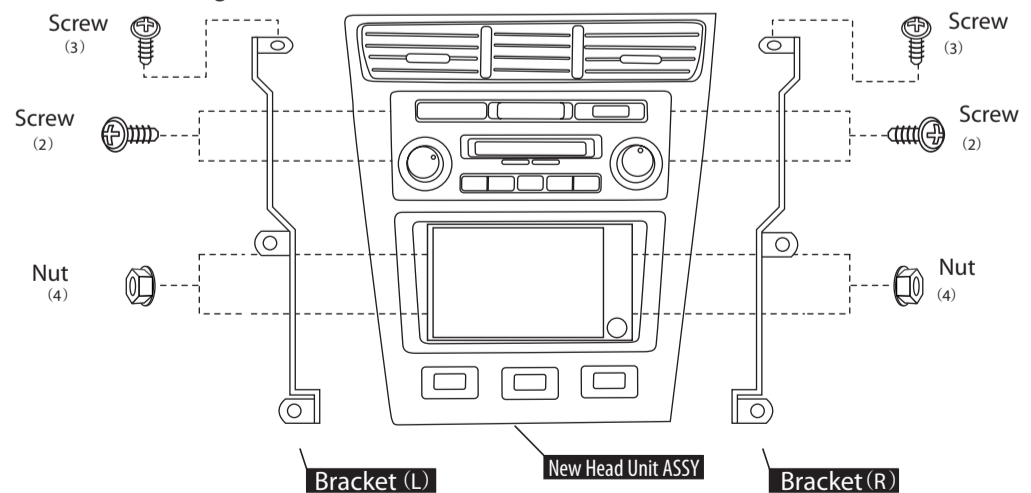
1. The brackets are installed in the new head unit.



- 2.



3. New deck ASSY and the heater control are attached.  
• Brackets fittings are installed on new head unit ASSY where the heater control was attached.



4. Audio, airconditioner controller unit ASSY is attached to the vehicle.

## 4 Operation

With the new head unit installed, confirm that all functions are operating properly.