

BH1 & BH1USA

CAR MODEL	YEAR	CHASSIS CODE
Toyota, Scion	1987-2013	Various

Note

Toyota stereo wiring harness + Double din dash kit for select Toyota and Scion models.

Package Contents

- 1 x 10Pin Wiring Harness, 1 x 6Pin Wiring Harness
- 1 x L & R Side Panels, 1 x Screw Set

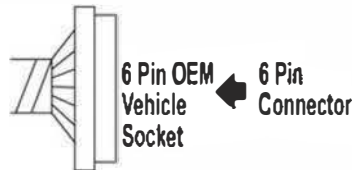
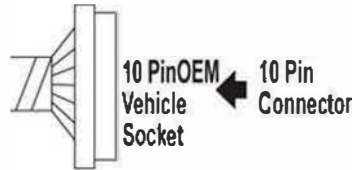
Mount all components in locations that will not disturb safe driving or obstruct the motions of vehicle components' functionalities. Take precautions to not damages wires, piping and tanks installed in the automobile. Avoid wet, dusty or extreme temperature conditions during installation.

Any damages resulting to the aftermarket systems or damages to the vehicle resulting from improper installation or careless installation procedure are nether covered by warranty nor are we responsible for injuries or damages resulting from installation process. Please observe cautions when performing the installation.

For Installation, we recommend to use matching 16-14 gauge male & female bullet connectors.

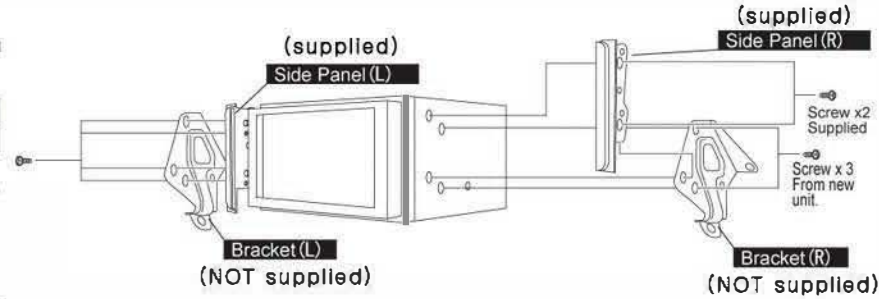
Before Installation Process

- * Always disconnect the negative (-) terminal of the vehicle battery and drain all capacitors before installation.
- * Protect all wire harness placed near any metal parts of the vehicle with loom or other wire protection.
- * Always check all vehicle functions after completion, such as Bracket Lamps, Turn Signals, Wipers etc.
- * Before starting installation, verify that the original audio system in the vehicle is fully functional. This kit will not remedy any issues that existed before the install or faults in the original system in the vehicle.

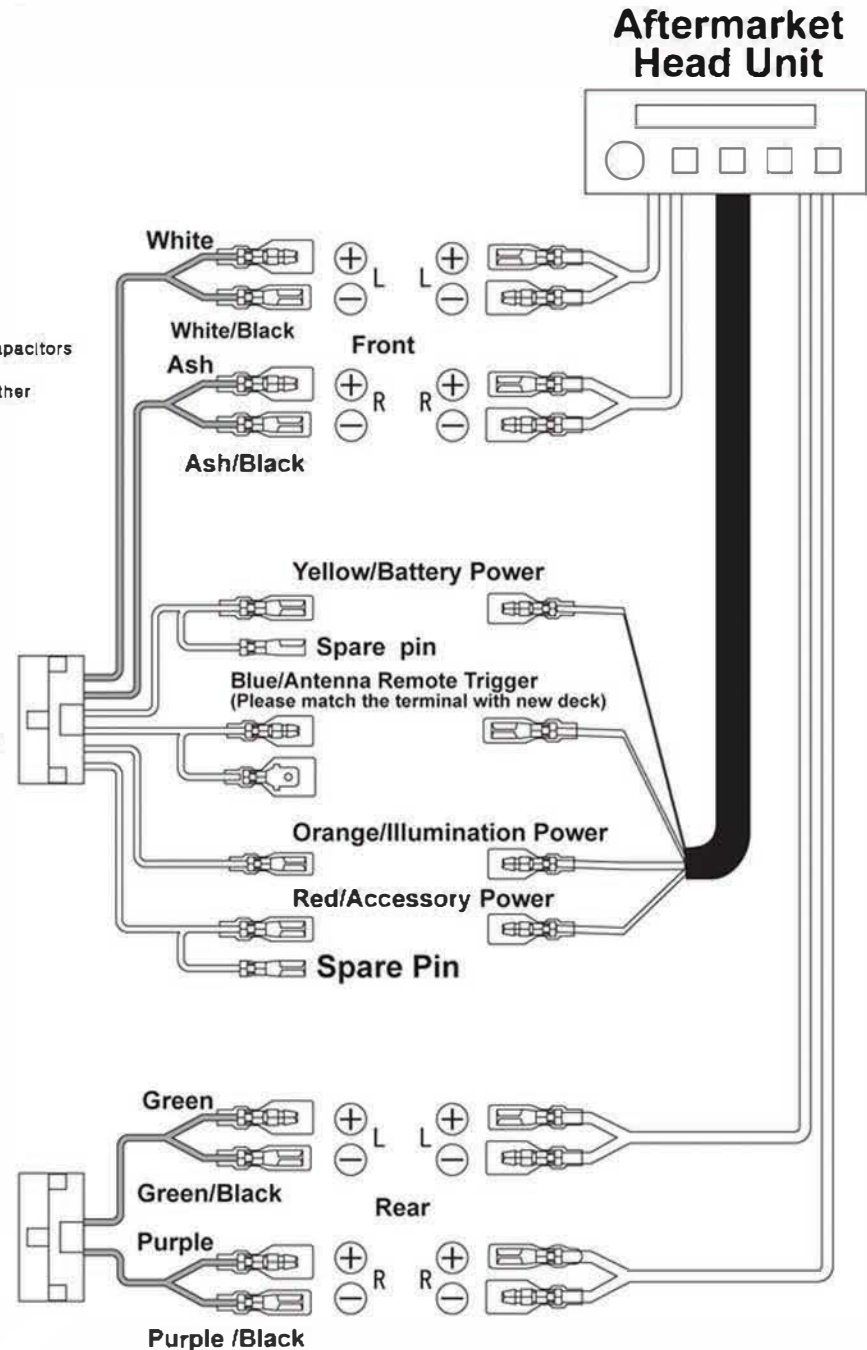


1 Installation of Aftermarket Head Unit

Mount side panels to the aftermarket head unit by using the screws supplied.



2 Adapter Wiring Diagram & Installation



3 Verification of Operations and Features

After installation, verify all functions of the aftermarket radio and functions of the vehicle. Use extreme cautions to verify the operation of safety and operational features and equipments of the vehicle.