

Thank you for purchasing BCUS2. Please carefully review the following information and instructions to ensure a successful installation for you to enjoy.

Make/Model	Year	Chassis Code
Select Toyota, Scion, Subaru	2012-2013	Various - Prius Models, Scion with BeSpoke, Subaru

Application/Product Description

1. Plug and play backup camera adapter that allows video input for backup camera to OEM screen.
2. Automatic switching to reverse camera when vehicle is put into reverse gear.
3. Constructed using OEM connectors to ensure perfect connection.
4. Harness is designed with a thick coaxial cable to ensure minimum image degradation.

Precautions

- ※ This adapter is only compatible to 12volt cameras.
- ※ BeSpoke head units for Scion models will require to pin a wire to existing OEM connector.
- ※ Observe caution while backing vehicle and realize that there are angles that the camera will not capture.

Weight

- ※ 55grams

Contents

- ※ BCUS2 Adapter, Purple Reverse trigger wire (Only used for BeSpoke head unit), Posi Tap (x2), User's Guide.

Compatibility

- 2012-2013 Toyota Prius, 2012-2013 Toyota Prius v, 2012 Toyota Prius c
- 2012 Toyota Tacoma
- 2012-2013 Toyota Corolla
- 2013 Toyota Venza
- 2012 Toyota Camry
- 2013 Scion FR-S, xB, xD, iQ, tC with BeSpoke Head Unit (Requires the purple reverse trigger)
- 2013 Toyota Highlander without Navigation
- 2013 Toyota Highlander Hybrid without Navigation
- 2013 Toyota Avalon
- 2013 Toyota 4Runner
- 2013 Toyota RAV4
- 2013 Subaru BRZ
- 2012-2013 Subaru Impreza with OEM Fujitsu Ten Navigation
- 2012-2013 Subaru WRX (STI) with OEM Fujitsu Ten Navigation
- 2012-2014 Subaru Forester with OEM Fujitsu Ten Navigation

When Performing Installation Procedures

- Do Not
 - ※ Make necessary precautions to not disturb vital parts related to the operation of the vehicle.
 - ※ Do not perform installation in negligent or in dangerous climate and environments.
 - ※ Be cautious not to damage wires, interior or body during installation.
- Caution
 - ※ Any Damages resulting to the aftermarket systems or damages to the vehicle resulting from improper or careless installations are not covered by warranty, nor are we responsible for injuries or damages resulting from installation process. Please observe caution while installing.

Precautions before installation

- ※ Remove the negative terminal from the battery.
- ※ Protect the interior of the vehicle by covering the interior work areas with cloth or tape.
- ※ After installation, confirm proper operation of brake lamp, headlight, turn signals, wiper blades and other functions



- ※ Before installing the backup camera, confirm that the OEM audio is functioning properly without any complications or issues. This kit will not remedy any existing issues.

1 OEM Head Unit Removal

Head unit removal will be different for each vehicle models. For the Scion models, the face panel surrounding the head unit should only be held by clips which can be popped out using panel removers.

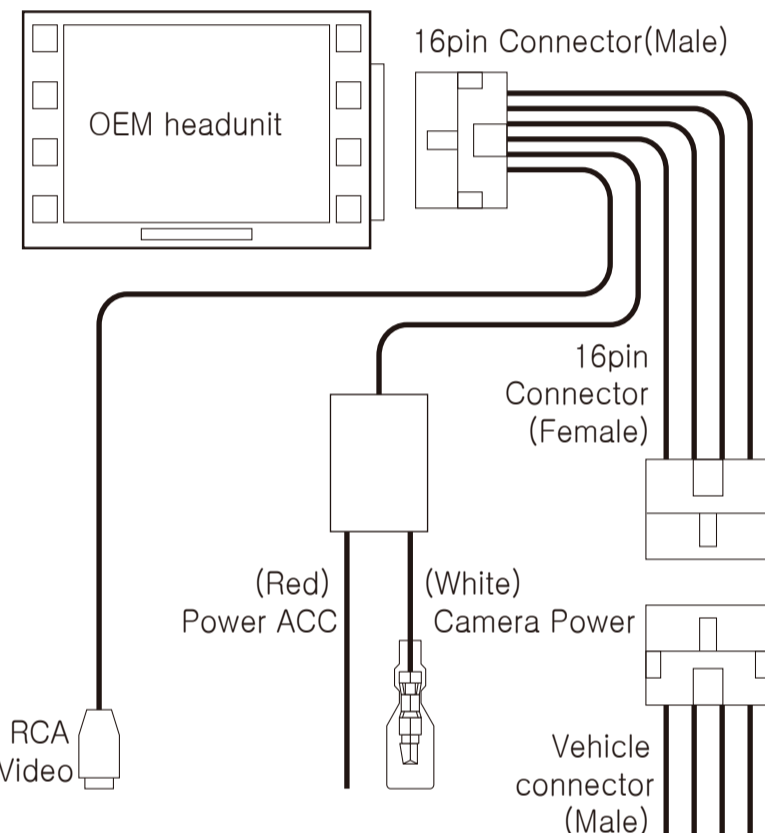
For the Prius models, requires to remove panel surrounding the shift knob, the center console, then the panel surrounding the head unit.

For additional information, please contact us at info@beatsonicusa.com

2 Adapter Installation

- Remove 16Pin connector from behind OEM headunit and connect to female side of BCUS2. Then connect male side of BCUS2 to OEM head unit.

* Reverse trigger (purple wire) is only needed to be pinned for Scion BeSpoke head unit.



Compatible to any 12 volt backup cameras.

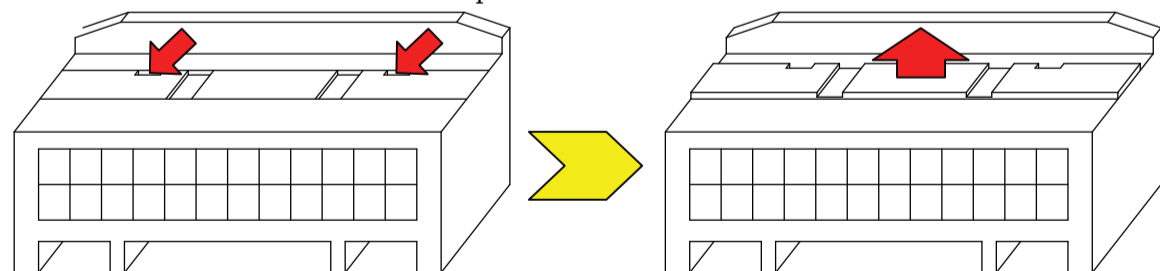
3 Reverse Trigger Step (Only for Scion-BeSpoke)

3.1 Locate the 28pin connector behind the head unit

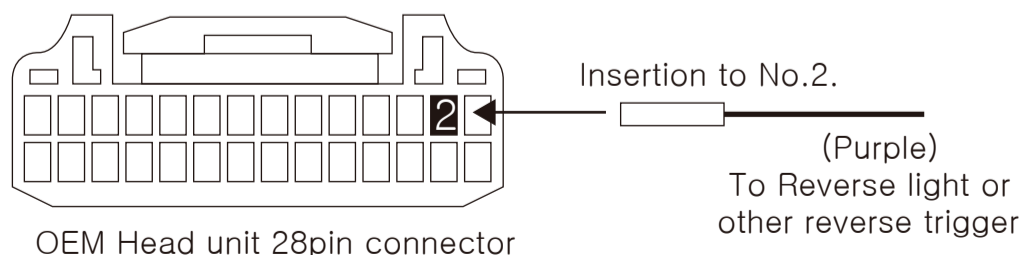
3.2 Insert a small flathead to release clips and lift the retainer.

a. Insert a small flathead to release clips.

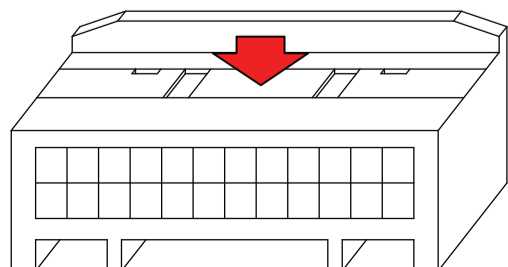
b. Lift the retainer



3.3 Insert purple wire to pin#2. Face the side with the ridges toward the retainer. You will hear a click



3.4 Close and lock retainer. You will hear a click.



4 Verification of Operations and Features

After installation, verify all functions of the head unit radio and the functions of the vehicle. Use extreme caution when verifying all operations and equipments of the vehicle.