

# Beat-Sonic<sup>®</sup> BCAM7 USER'S GUIDE

NO:000001

Thank you for purchasing BCAM7. Please carefully review the following information and instructions to ensure a successful installation for you to enjoy.

## Application/Product Description

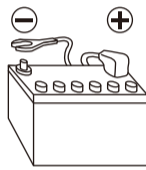
1. Easy installation that screws directly on to your factory license plate screw.
2. No drilling of holes or customization of body panels for installation.
3. An automatic electronic iris that works at a great range to cover visibility during the day and night.
4. White color to blend in with your license plate for the stealth look.
5. Waterproof construction for durability.

## Precautions

- This model backup camera was made specifically to mount on the rear license plate hole. Please do not mount it in any other location.
- This model camera was made for a 12V application. Please do not install it to a 24V vehicle.
- Depending on the vehicle model, it should already have the same screw thread that matches with the BCAM7 thread or a plastic thread clip. Either screw on the existing thread or remove the plastic thread clip to install the backup camera.
- This camera was made to be used as a reverse backup camera. Please do not use it as a front camera.
- The video output uses NTSC RCA pin connector 1Vpp (75ohms).
- The backup camera is used as a safety device for rear visibility for the driver during vehicle reverse. Please verify the rear view as there are certain angles and visibility that the camera cannot cover.
- Do not alter the backup camera or made any modifications as it will void warranty.
- Depending on the vehicle, the installation steps will differ due to the ground points, camera power and wire routing locations are specific to the vehicle model. We advise to seek a professional for installation.

## Precautions before installation

- ✘ Remove the negative terminal from the battery.
- ✘ Protect the interior of the vehicle by covering the interior work areas with cloth or tape.
- ✘ After installation, confirm proper operation of brake lamp, headlight, turn signals, wiper blades and other functions

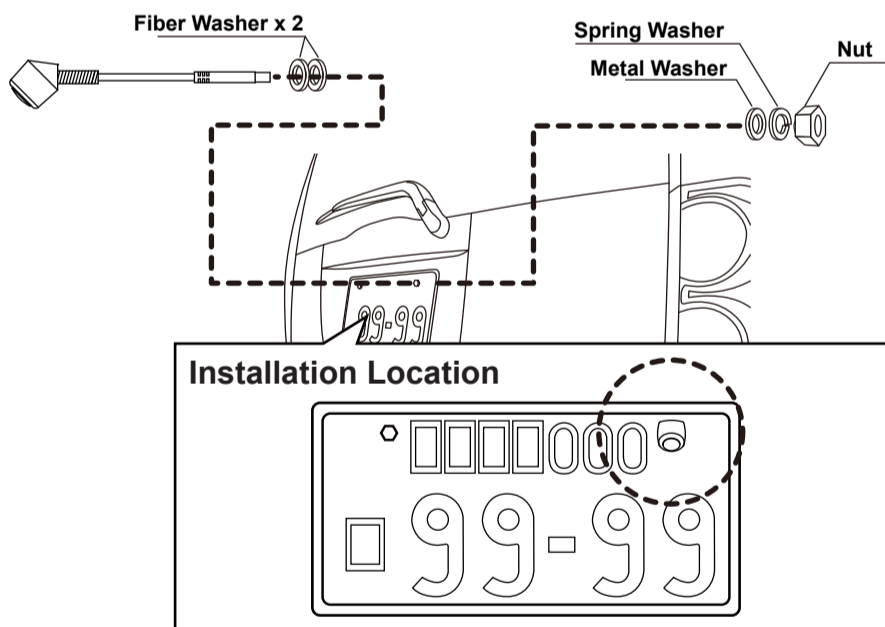


## When Performing Installation Procedures

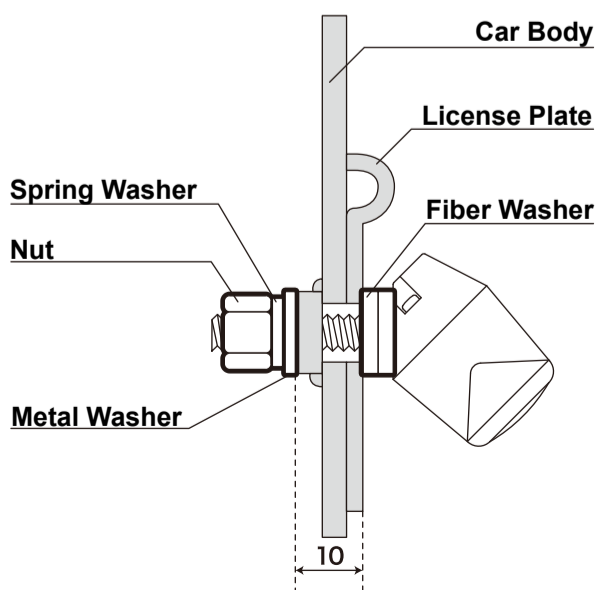
- ✘ Make necessary precautions to not disturb vital parts related to the operation of the vehicle.
- ✘ Do not perform installation in negligent or in dangerous climate and environments.
- ✘ Be cautious not to damage wires, interior or body during installation.

**Caution** Any Damages resulting to the aftermarket systems or damages to the vehicle resulting from improper or careless installations are not covered by warranty, nor are we responsible for injuries or damages resulting from installation process. Please observe caution while installing.

## Installation Location



## Mounting the Camera



**Thickness from the license plate of the vehicle to the back of the installation screw must be 10mm or less.**

- The metal washer may be removed if needed.

**Please tighten screw to where the fiber washer lightly collapses.**  
- Continue to turn the camera until the desired position is reached.

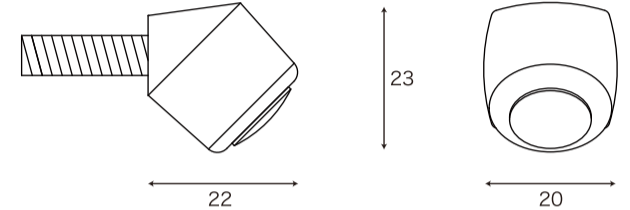
**Do not over-tighten the main screw to avoid breakage.**

## Specifications

Power Supply	DC12V
Current Draw	55+-5 (mA)
Image Direction	Mirror Image
Guideline	None
Image Sensor	1/4inch color CMOS image sensor
Image Pixels	640(horizontal) x 480(vertical) x 31
Image Angle	Horizontal: 112degrees Vertical: 85degrees
Syncro System	Internal Triggering
S/N	48dB
Lowest Illuminance	1 Lux
Image Output	NTSC 1Vpp (75Ohm)
Operational temperature	-10C degrees~50C degrees
Waterproof construction	IP67
External Size	20(W) x 23(H) x 22(D)mm
Weight	25g (Camera assembly)

## Package Contents

- Main body of camera (Attached to 2.3m cable)
- Video output cable ( RCA cable - 5m, power cable - 1.5m)
- Metal washer
- M6 nut
- Fiber washer
- Spring washer



## Wiring Diagram

1. The red wire is connected to the reverse signal. Connect to the backup reverse light.
2. Connect black wire to chassis.
3. 3.5 plugs of the camera are inserted in Jack of the power supply image output cable.
4. The RCA pin plug is connected to the head unit.
  - Confirm that all connections are secure using a voltage meter.
  - The fuse on the red wire is the cylinder type(6x30)1A.
  - Head unit configuration and special wiring may become necessary depending on the vehicle and head unit for recognition of the reverse gear synchronization when backup camera is connected to the head unit.

