



Part#: 55306, 55365

Product: **Steering Stabilizer**

---

## READ AND UNDERSTAND ALL INSTRUCTIONS AND WARNINGS PRIOR TO INSTALLATION OF SYSTEM AND OPERATION OF VEHICLE.

---

**SAFETY WARNING** BDS Suspension Co. recommends this system be installed by a professional technician. In addition to these instructions, professional knowledge of disassembly/ reassembly procedures and post installation checks must be known.

**PRODUCT SAFETY WARNING** Certain BDS Suspension products are intended to improve off-road performance. Modifying your vehicle for off-road use may result in the vehicle handling differently than a factory equipped vehicle. Extreme care must be used to prevent loss of control or vehicle rollover. Failure to drive your modified vehicle safely may result in serious injury or death. BDS Suspension Co. does not recommend the combined use of suspension lifts, body lifts, or other lifting devices.

You should never operate your modified vehicle under the influence of alcohol or drugs. Always drive your modified vehicle at reduced speeds to ensure your ability to control your vehicle under all driving conditions. Always wear your seat belt.

### PRE-INSTALLATION NOTES

1. Special literature required: OE Service Manual for model/year of vehicle. Refer to manual for proper disassembly/ reassembly procedures of OE and related components.
2. Adhere to recommendations when replacement fasteners, retainers and keepers are called out in the OE manual.
3. Larger rim and tire combinations may increase leverage on suspension, steering, and related components. When selecting combinations larger than OE, consider the additional stress you could be inducing on the OE and related components.
4. Post suspension system vehicles may experience drive line vibrations. Angles may require tuning, slider on shaft may require replacement, shafts may need to be lengthened or trued, and U-joints may need to be replaced.
5. Secure and properly block vehicle prior to installation of BDS Suspension components. Always wear safety glasses when using power tools.
6. If installation is to be performed without a hoist, BDS Suspension Co. recommends rear alterations first.
7. Due to payload options and initial ride height variances, the amount of lift is a base figure. Final ride height dimensions may vary in accordance to original vehicle attitude. Always measure the attitude prior to beginning installation.

### POST-INSTALLATION WARNINGS

1. Check all fasteners for proper torque. Check to ensure for adequate clearance between all rotating, mobile, fixed, and heated members. Verify clearance between exhaust and brake lines, fuel lines, fuel tank, floor boards and wiring harness. Check steering gear for clearance. Test and inspect brake system.
2. Perform steering sweep to ensure front brake hoses have adequate slack and do not contact any rotating, mobile or heated members. Inspect rear brake hoses at full extension for adequate slack. Failure to perform hose check/ replacement may result in component failure. Longer replacement hoses, if needed can be purchased from a local parts supplier.
3. Perform head light check and adjustment.
4. Re-torque all fasteners after 500 miles. Always inspect fasteners and components during routine servicing.

## PARTS LIST

Part #	Qty	Description
<b>55306</b>		
01511	1	L Bracket
561140200R	2	5/16" x 1-1/4" x 2" Round U-Bolt
	4	1/4" USS Washers
	4	5/16" Torque Prevailing Nuts
<b>55365</b>		
01511	2	L Bracket
561140200R	4	5/16" x 1-1/4" x 2" Round U-Bolt
	8	1/4" USS Washers
	8	5/16" Torque Prevailing Nuts

## INSTALLATION INSTRUCTIONS

1. Raise the vehicle and support the frame with jack stands. Turn the wheels so they are straight ahead.
2. Drill a 5/8" hole through the right front (passenger side) OEM shock mount as noted in Figure 1. For a dual stabilizer, complete this step on the driver side as well.
3. Loosen and rotate the tie rod adjusting sleeve clamps on both sides so the nut from the clamp is facing toward the front of the vehicle. Do not tighten at this time. You may need to rotate clamp further to clear stabilizer cylinder.
4. Loosely attach the tie rod mounting bracket(s) with the supplied 5/16" x 1-1/4" x 2" ubolts, nuts and washers.
5. Make sure the wheels are facing straight forward. Fully extend and compress the cylinders to find the halfway point. With the cylinders extended half way, install a cup washer and bushing on both studs of the cylinders. Attach the rod end to the tie rod mounting brackets and secure with another bushing, cup washer, and 3/8" nuts. Attach the body end to the OEM shock mount hole drilled earlier and secure with supplied bushing, cup washer and 3/8" nuts. Make sure the cylinder stays halfway extended.
6. Tighten the nuts on the cylinder studs to slightly compress the bushings. Do not over tighten. Tighten the u-bolts on the tie rod mounts to 17 ft.lbs. Rotate as necessary and tighten the tie rod adjusting sleeve clamps.
7. Perform a steering sweep to make sure that there is not interference at any point and that the cylinders don't bottom out.
8. Periodically inspect the assembly for tightness.

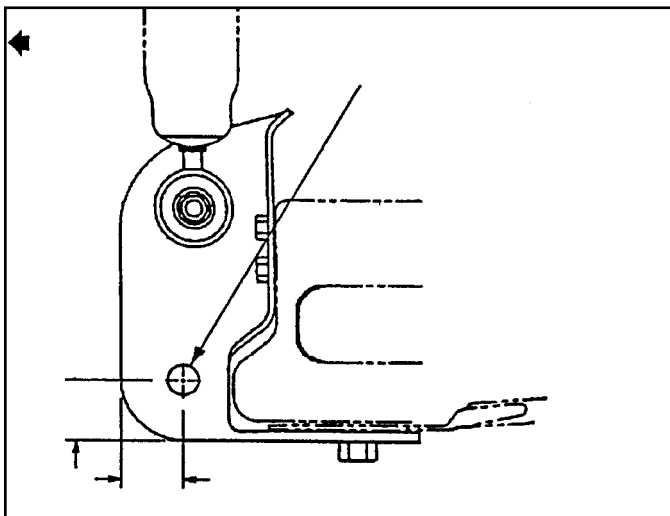


Fig 1



Fig 2