

**#024202, 024100,
174201, 174101**

Spring Spacer Kit

Jeep TJ, XJ, ZJ, WJ



**READ AND UNDERSTAND ALL INSTRUCTIONS AND WARNINGS PRIOR
TO INSTALLATION OF SYSTEM AND OPERATION OF VEHICLE.**

SAFETY WARNING

BDS Suspension Co. recommends this system be installed by a professional technician. In addition to these instructions, professional knowledge of disassembly/ reassembly procedures and post installation checks must be known.

PRODUCT SAFETY WARNING

Certain BDS Suspension products are intended to improve off-road performance. Modifying your vehicle for off-road use may result in the vehicle handling differently than a factory equipped vehicle. Extreme care must be used to prevent loss of control or vehicle rollover. Failure to drive your modified vehicle safely may result in serious injury or death. BDS Suspension Co. does not recommend the combined use of suspension lifts, body lifts, or other lifting devices.

You should never operate your modified vehicle under the influence of alcohol or drugs. Always drive your modified vehicle at reduced speeds to ensure your ability to control your vehicle under all driving conditions. Always wear your seat belt.

PRE-INSTALLATION NOTES

1. Special literature required: OE Service Manual for model/year of vehicle. Refer to manual for proper disassembly/reassembly procedures of OE and related components.
2. Adhere to recommendations when replacement fasteners, retainers and keepers are called out in the OE manual.
3. Larger rim and tire combinations may increase leverage on suspension, steering, and related components. When selecting combinations larger than OE, consider the additional stress you could be inducing on the OE and related components.

4. Post suspension system vehicles may experience drive line vibrations. Angles may require tuning, slider on shaft may require replacement, shafts may need to be lengthened or trued, and U-joints may need to be replaced.
5. Secure and properly block vehicle prior to installation of BDS Suspension components. Always wear safety glasses when using power tools.
6. If installation is to be performed without a hoist, BDS Suspension Co. recommends rear alterations first.
7. Due to payload options and initial ride height variances, the amount of lift is a base figure. Final ride height dimensions may vary in accordance to original vehicle attitude. Always measure the attitude prior to beginning installation.

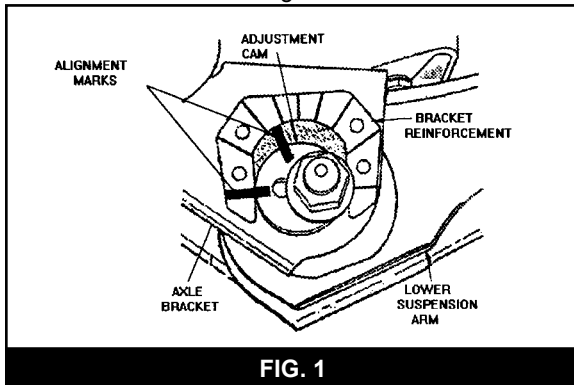
POST-INSTALLATION WARNINGS

1. Check all fasteners for proper torque. Check to ensure for adequate clearance between all rotating, mobile, fixed, and heated members. Verify clearance between exhaust and brake lines, fuel lines, fuel tank, floor boards and wiring harness. Check steering gear for clearance. Test and inspect brake system.
2. Perform steering sweep to ensure front brake hoses have adequate slack and do not contact any rotating, mobile or heated members. Inspect rear brake hoses at full extension for adequate slack. Failure to perform hose check/ replacement may result in component failure. Longer replacement hoses, if needed can be purchased from a local parts supplier.
3. Perform head light check and adjustment.
4. Re-torque all fasteners after 500 miles. Always inspect fasteners and components during routine servicing.

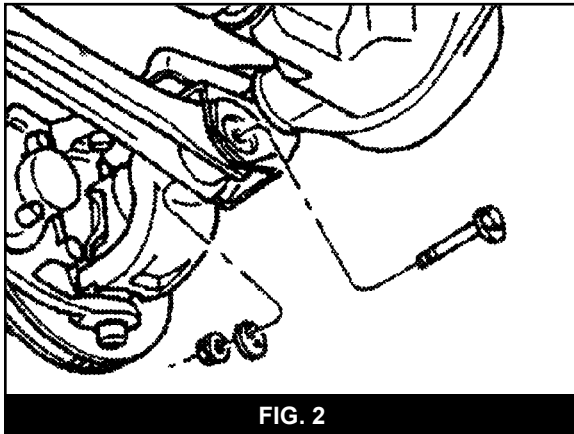
INSTALLATION INSTRUCTIONS

FRONT SYSTEM INSTALLATION

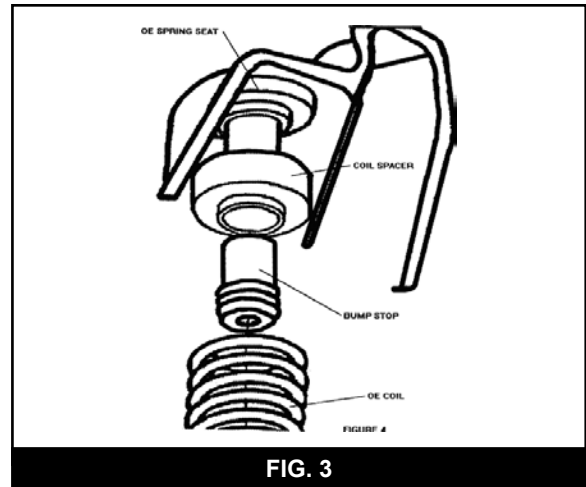
1. Raise and support vehicle. Place hydraulic jack under the axle to support it.
2. Paint and scribe alignment marks on the cam adjuster and axle bracket as shown in figure 1.



3. Remove the lower suspension arm nut, cam, and cam bolts from the axle as shown in figure 2.



4. Disconnect the stabilizer bar links from the axle.
5. Remove the shocks.
6. Disconnect the track bar from the frame rail bracket. Remove the cotter pin and nut. Use a universal puller tool to separate the ball stud from the bracket.
7. Disconnect the drag link from the pitman arm. Remove the cotter pin and nut. Remove the drag link ball stud from the pitman arm using a puller.
8. Lower the axle until the spring is free from its upper mount. **Note: Do not stretch the brake lines.**
9. Remove the OE front coils.
10. Pull the rubber bumper from the metal pocket and remove the bump stop cup.
11. Install the BDS coil spacer over the bump stop pocket and up into the mount with the lip of the spacer down as shown in figure 3.
12. Reinstall the bump stop cup with the OE fastener and reinstall the rubber bumper and coil spring.
13. Raise the axle until the spring seats on the coil spacer, then raise it two more inches.
14. Connect the stabilizer bar links to axle and Torque to 70 ft. lbs.
15. Connect the correct BDS shocks at this time.



16. Connect the track bar to the frame rail. **Note: It may be necessary to pry the axle assembly over in order to install the track bar.** Install the ball stud into the frame rail bracket. Install the retaining nut on the stud. Torque to 65 lbs. Install new cotter pin. **Note: Always tighten the nut in order to align the cotter pin hole, never loosen.**
17. Install the lower suspension arm in the axle bracket. Position the lower suspension arm in the axle bracket. Install cam bolts, cam, and nut. Finger tighten only, **DO NOT TIGHTEN AT THIS TIME.**
18. Install the drag link to the pitman arm. Install the drag link ball stud into the pitman arm. Install the nut & torque to 60 lbs. Install a new cotter pin as described previously.
19. Remove the supports and lower the vehicle to the ground.
20. Torque the lower control arm pivots at the axle. Align the marks you painted or scribed and torque to 85 lbs.

REAR SYSTEM INSTALLATION

21. Raise and support the vehicle. Place a hydraulic jack under the axle to support it.
 22. Remove the shock absorbers.
 23. Disconnect the stabilizer bar links from the axle brackets.
 24. Disconnect the track bar from the frame rail bracket.
 25. Remove the bolt and nut from the frame rail bracket.
 26. Lower the axle until the spring is free from the upper mount.
 27. Remove the rear coils.
 28. Remove the OE bump stop. Pull the rubber bumper out of the metal pocket. Unbolt pocket from the spring seat. Install BDS coil spacer into the upper mount with the lip of the spacer down.
- Note: On a Grand Cherokee ZJ it will be necessary to trim the spacers. There is a protruding lip where the floor pan attaches to the wheel well. The spacer must be trimmed to clear this obstruction.**
29. Re-install factory bump stop onto the spring pocket and replace the OE rubber bumper.
 30. Reinstall OE coil springs. Raise the axle into position until the spring seats in the coil spacer.
 31. Connect the stabilizer bar links and torque to 40 lbs.
 32. Install correct BDS shocks at this time.
 33. Connect the track bar to the frame rail bracket.
- Note: It may be necessary to pry the axle assembly over to install the track bar.**
34. Loosely install nut and bolt. Do not tighten at this time.
 35. Remove the supports and lower the vehicle.
 36. Torque all remaining fasteners. Torque lower shock mounts to 74 lbs. Torque the track bar to 74 lbs.

Install warning label in a highly visible location inside the cab of the vehicle.