

1-3" Track Bar Bracket

Ford Super Duty | 2008-2017

Part #: 123301

Rev. 021417



491 W. Garfield Ave., Coldwater, MI 49036 • Phone: 517-279-2135

E-mail: tech-bds@sporttruckusainc.com

SAFETY WARNING

BDS Suspension Co. recommends this system be installed by a professional technician. In addition to these instructions, professional knowledge of disassembly/ reassembly procedures and post installation checks must be known.

Box Kit 123301

Part #	Qty	Description
03458	1	1-3" Track Bar Bracket
02019	2	Track Bar Cam

INSTALLATION INSTRUCTIONS

1. Park the vehicle on a clean, flat surface and block the rear wheels for safety.
2. Disconnect the track bar from the driver's side frame bracket. Retain hardware.

FIGURE 1



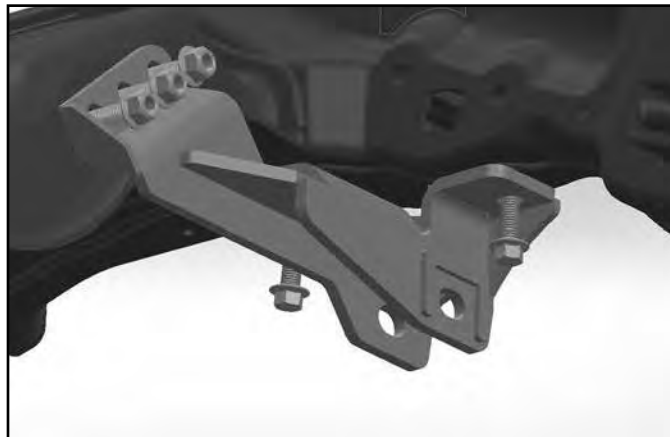
3. Remove the five bolts mounting the track bar bracket to the frame and remove the bracket from the vehicle.

FIGURE 2



4. Install the new bracket in the vehicle using the five original mounting holes and hardware. Torque mounting hardware to 129 ft-lbs.

FIGURE 3



5. Swing the track bar up into the bracket and attach with the original bolt and nut in conjunction with the provided rectangle cam washers.
NOTE: If installing on a vehicle with 3" of lift, offset the holes in the cams closer to the passenger's side. If installing on a vehicle with 1-2" of lift, offset the holes in the cams closer to the driver's side.
6. Torque the track bar mounting bolt to 406 ft-lbs.
7. Check all hardware for proper torque.
8. Check hardware after 500 miles.