

Heavy-Duty Rear Sway Bar Link

Ford Super Duty F250 / F350 | 2008-2017

Part #: 123009



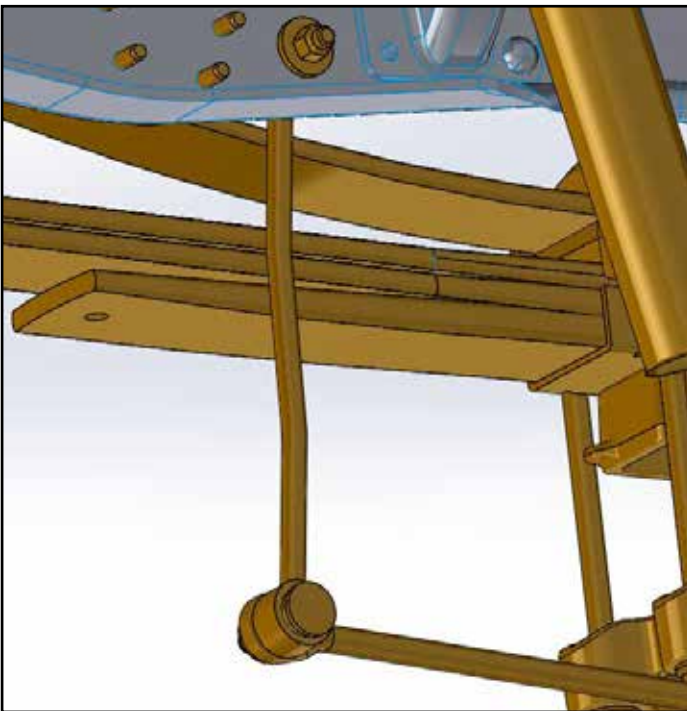
SAFETY WARNING

BDS Suspension Co. recommends this system be installed by a professional technician. In addition to these instructions, professional knowledge of disassembly/ reassembly procedures and post installation checks must be known.

INSTALLATION INSTRUCTIONS

1. Disconnect the sway bar links from frame and sway bar. Discard the sway bar links and hardware, they will not be reused. (Fig 1)

FIGURE 1



123009- Sway Bar Links Box Kit

Part #	Qty	Description
01047	2	Sway Bar Links
404	1	Bolt Pack - Sway Bar Links
M02016BK	4	Hourglass Bushing
65	4	Sleeve

2. Lightly grease and install bushings and sleeves into the new sway bar links.
3. Install the sway bar links with new 12mm hardware from Bolt Pack 404 in the factory frame mount and sway bar. The sway bar link will offset towards the outside of the frame, the same as the factory sway bar link.
4. Tighten 12mm hardware to 55 ft-lbs.
5. Check all fasteners after 500 miles.