



## HIGH IDLE KIT

1036620	1998.5 – 2002 Dodge Cummins (24 valve) 2003-2004 Dodge Cummins (with APPS on motor)
1036621	2005-2006 Dodge Cummins
1036622	2007-2017 Dodge Cummins / 2014-2017 Dodge 3.0L Eco Diesel
1036627	2008- 2017 GMC Duramax

# KIT CONTENTS:


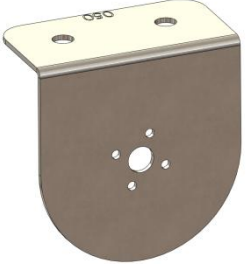
Please check to make sure that you have all the parts listed in this kit **before** you start the disassembly of your vehicle.

## **1036620 High Idle Kit**

<b>1301185</b>		<b>1331190-3</b>		<b>1003331</b>	
					
<i>High idle Module</i>		<i>Wiring Harness</i>		<i>High Idle Decal</i>	
<b>Qty: 1</b>		<b>Qty: 1</b>		<b>Qty: 1</b>	
<b>1330050</b>	<b>1330052</b>	<b>1300348</b>	<b>1330054</b>	<b>1330053</b>	<b>1300131</b>
					
<i>Switch Bracket</i>	<i>Screw</i>	<i>Posi-tap</i>	<i>Tape; DS</i>	<i>Alcohol Swab</i>	<i>Cable Tie</i>
<b>Qty: 1</b>	<b>Qty: 2</b>	<b>Qty: 1</b>	<b>Qty: 1</b>	<b>Qty: 1</b>	<b>Qty: 6</b>

### 1036621 High Idle Kit

1301185		1331191-3		1003331	
					
High idle Module		Wiring Harness		High Idle Decal	
<b>Qty: 1</b>		<b>Qty: 1</b>		<b>Qty: 1</b>	
1330050	1330052	1300348	1330054	1330053	1300131
					
Switch Bracket	Screw	Posi-tap	Tape; DS	Alcohol Swab	Cable Tie
<b>Qty: 1</b>	<b>Qty: 2</b>	<b>Qty: 1</b>	<b>Qty: 1</b>	<b>Qty: 1</b>	<b>Qty: 6</b>

<b>1036622 High Idle Kit</b>					
<b>1301185</b>		<b>1331192-3</b>		<b>1003331</b>	
					
<i>High idle Module</i>		<i>Wiring Harness</i>		<i>High Idle Decal</i>	
<b>Qty: 1</b>		<b>Qty: 1</b>		<b>Qty: 1</b>	
<b>1330050</b>	<b>1330052</b>	<b>1300348</b>	<b>1330054</b>	<b>1330053</b>	<b>1300131</b>
					
<i>Switch Bracket</i>	<i>Screw</i>	<i>Posi-tap</i>	<i>Tape; DS</i>	<i>Alcohol Swab</i>	<i>Cable Tie</i>
<b>Qty: 1</b>	<b>Qty: 2</b>	<b>Qty: 1</b>	<b>Qty: 1</b>	<b>Qty: 1</b>	<b>Qty: 6</b>

<b>1036627 High Idle Kit</b>					
<b>1301185</b>		<b>1331197-3</b>		<b>1003331</b>	
					
<i>High idle Module</i>		<i>Wiring Harness</i>		<i>High Idle Decal</i>	
<b>Qty: 1</b>		<b>Qty: 1</b>		<b>Qty: 1</b>	
<b>1330050</b>	<b>1330052</b>	<b>1300348</b>	<b>1330054</b>	<b>1330053</b>	<b>1300131</b>
					
<i>Switch Bracket</i>	<i>Screw</i>	<i>Posi-tap</i>	<i>Tape; DS</i>	<i>Alcohol Swab</i>	<i>Cable Tie</i>
<b>Qty: 1</b>	<b>Qty: 2</b>	<b>Qty: 1</b>	<b>Qty: 1</b>	<b>Qty: 1</b>	<b>Qty: 6</b>

## ***Tools Required***

- Wire Strippers
- Side Cutters
- Utility Knife
- Flat Screwdriver
- Philips Screwdriver
- Soldering Equipment

## ***Introduction***

This high idle kit connects to the vehicle throttle pedal and allows the operator to increase engine speed easily by way of a control knob mounted on the dashboard. This kit is ideal for faster engine warm-ups, extended idling, running belt driven power take off equipment and high power electrical accessories including winches, inverters and pumps.

Closed loop control provides up to five engine speeds: 900, 1200, 1500, 1800, 2100 rpm.

Note: This kit does not control the transmission torque converter as is required for many forms of automatic transmission mounted power take-off equipment. This kit will work with manual transmission mounted PTO applications.

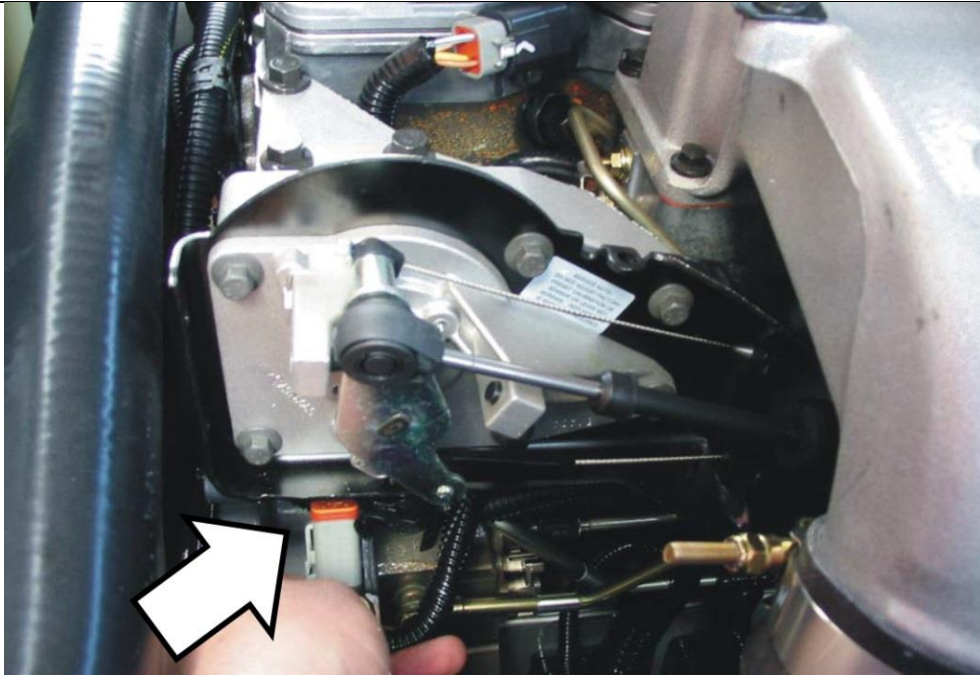
**NOTE:** Some 1998-2002 Dodge trucks, the 2100RPM setting will set a fault code for MAP vs. throttle correlation. This is due to a problem with the ECU calibration from Chrysler. If this problem arises, change the switch keying to disallow the 2100RPM setting.

## ***INSTALLATION***

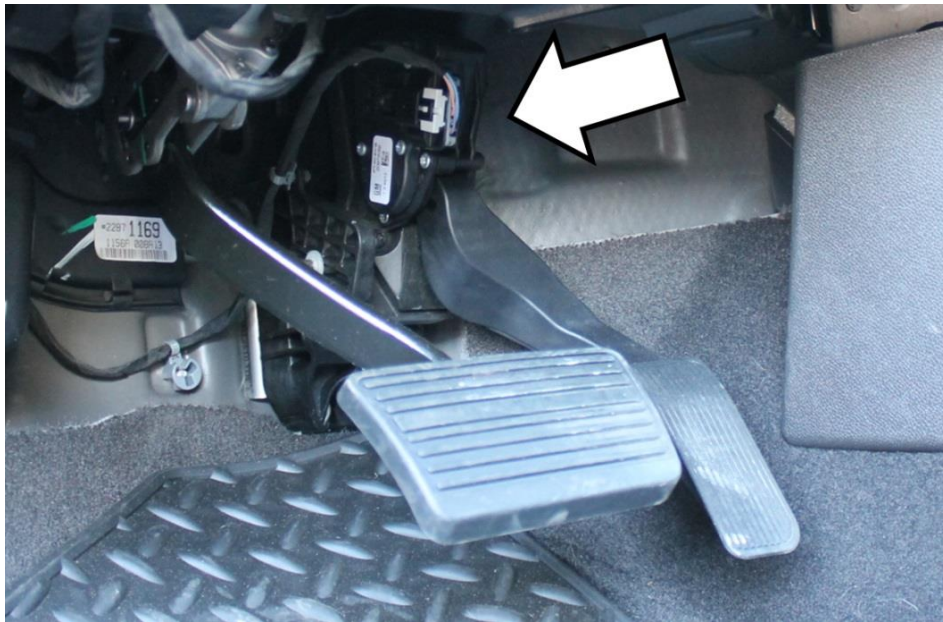


**VEHICLE SHOULD BE SAFELY SECURED BEFORE INSTALLATION.**

1. To avoid setting possible fault codes, disconnect vehicle batteries before proceeding.
2. Locate vehicle accelerator pedal position sensor and disconnect the wiring harness.
  - a. On 1998.5-2004 Dodge vehicles, this sensor is located under a plastic cover below the intake elbow on the driver's side of the engine. The sensors connector faces downward.



- b. On all other models, the sensor is built into the top of the accelerator pedal below the dashboard.



3. Connect supplied wiring harness to the accelerator pedal position sensor and the other end to the factory wiring harness. Secure harness with zip ties so that it does not interfere with pedal operation. Removal of the knee bolster may ease installation.



4. For 98.5-04 Dodge kits, disconnect the control knob harness from the main wiring harness. Route the small disconnect wire through the firewall and reconnect it to the main wiring harness. (Not required on other models).

For all applications other than the 98.5-04 Dodge kits, route the light blue wire (RPM signal) from below the dash into the engine bay through the firewall.

5. Connect the white brake light input wire to the brake light switch using supplied positap. This connection may be soldered for better longevity if desired.

	<b>WHITE wire (brake light 12V)</b>	<b>Location to tap</b>
<b>1998-2001 Dodge</b>	Pin 5 - White/Tan	Brake Switch
<b>2002-2009 Dodge</b>	Pin 2 – White/Tan	Brake Switch
<b>2010-2012 Dodge</b>	Pin 2 – White	Brake Switch
<b>2013-2017 Dodge</b>	Connector C5/E Pin 31 – White/Violet	Body Control Module
<b>2014-2017 Dodge 3.0L (EcoDiesel)</b>	Connector C6/F, Pin 39 White/Dark Green	Body Control Module
<b>2001-2007 GMC</b>	Pin A – White	Brake Switch
<b>2007.5-2011 GMC</b>	Pin A – Lt Blue/White	Brake Switch
<b>2012-2014 GMC</b>	Connector 5, Pin 5 – Lt Blue	Body Control Module
<b>2015-2017 GMC</b>	Connector 4, Pin 11 – Violet/White	Body Control Module

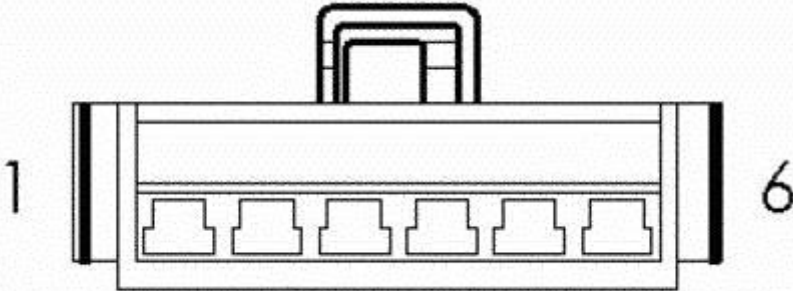


### Brake lamp switch – 1998-2009 Dodge

The brake lamp switch is located on the brake pedal assembly under the dash.

1998-2001 (PIN 5 WH/TN) Brake lamp switch output

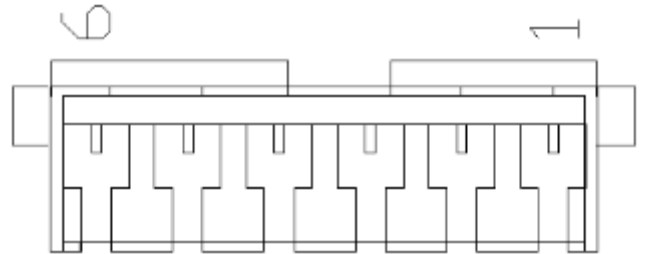
2002-2009 (PIN 2 WH/TN) Brake lamp switch output



### Brake lamp switch - 2010-2012 Dodge

The brake lamp switch is located on the brake pedal assembly under the dash.

(PIN 2 WT) Brake lamp switch output

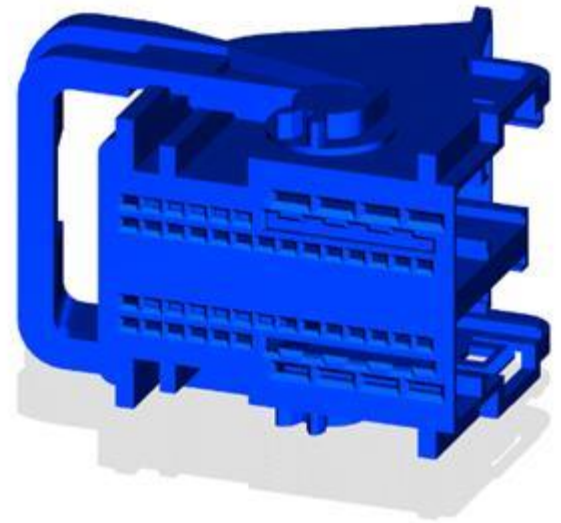
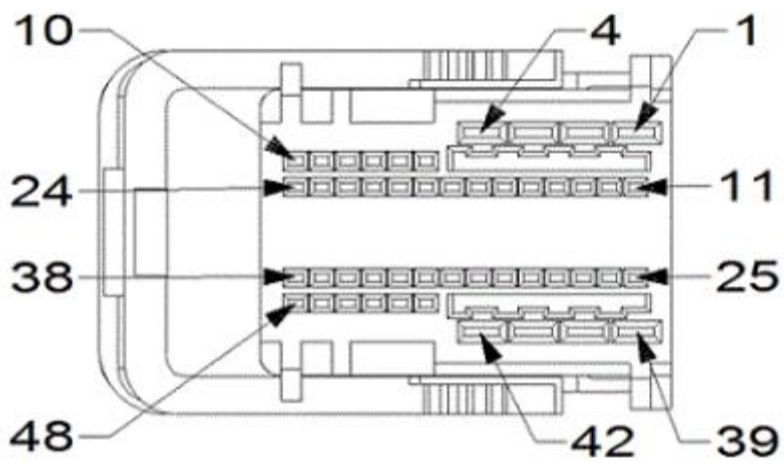
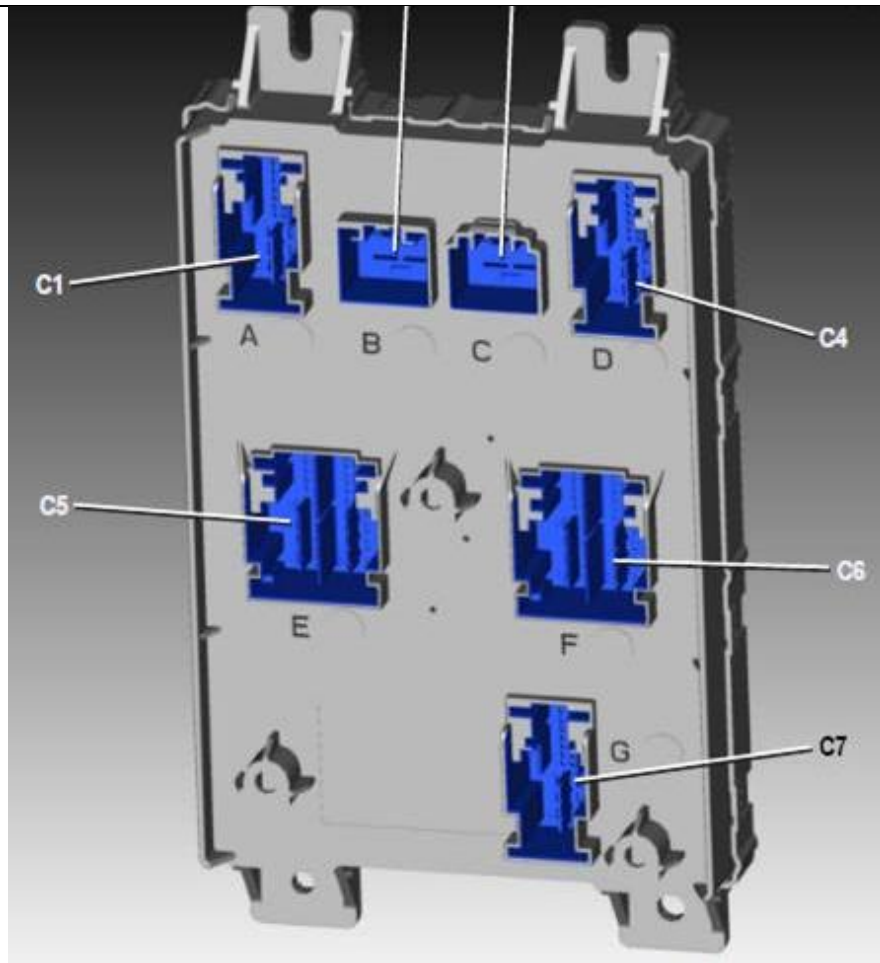


### Body Control Module – 2013-2017 Dodge

The body control module is located on the firewall on the inside of the truck behind the dash on the driver's side.

2013-2017 (PIN 31 WH/VT) Brake lamp switch output (connector C5/E)

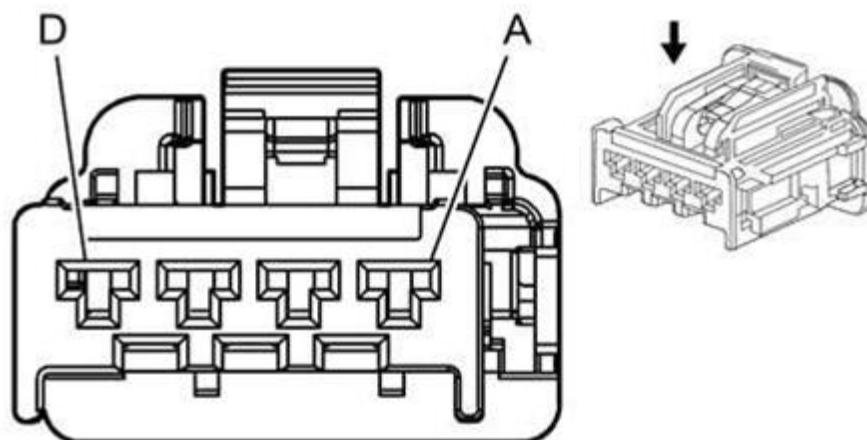
2014-2017 (PIN 39 WH/DG) Ecodiesel - Brake lamp switch output (connector C6/F)



### 2007.5-2011 Duramax – Brake Switch

The brake light switch is mounted to the top of the brake pedal assembly below the dash.

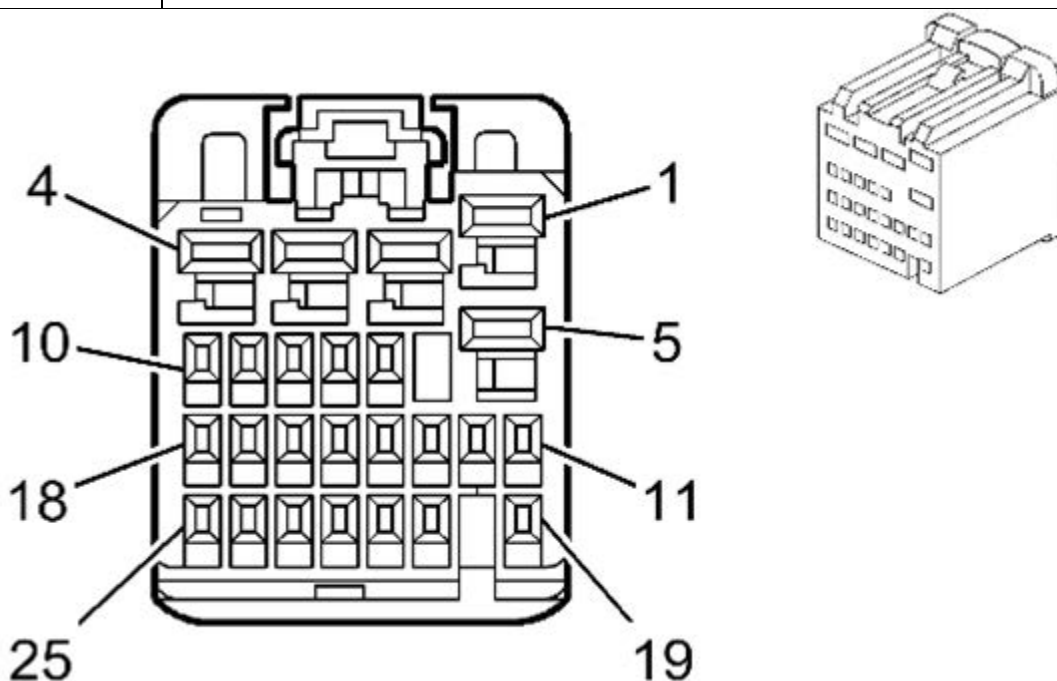
(PIN A LB/WT) Brake switch output



### 2012-2014 Duramax -Body Control Module (connector 5)

The body control module is located behind the knee bolster on the driver's side of the dash.

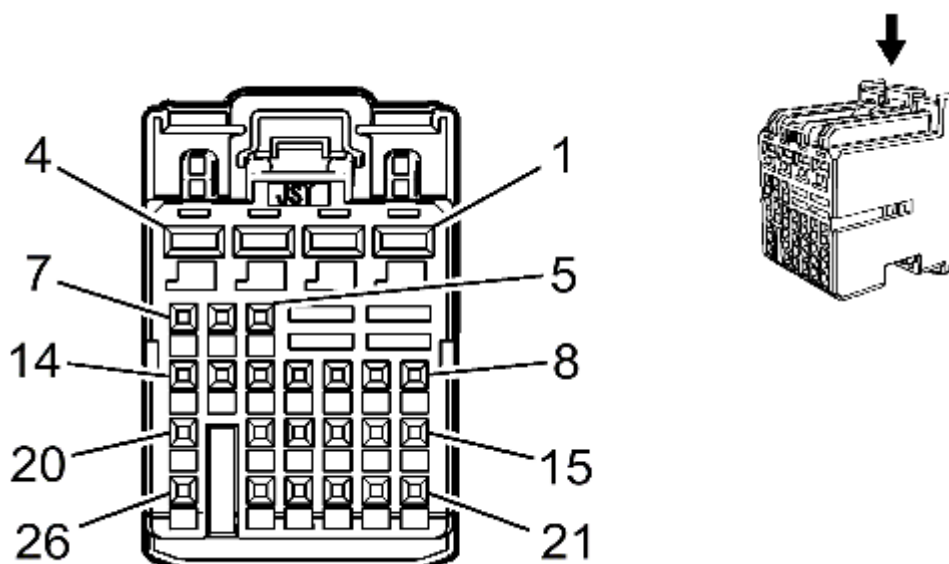
(PIN 5 LB) Brake lamp output



### 2015-2017 Duramax – Body Control Module (connector 4)

The body control module is located behind the knee bolster on the driver's side of the dash.

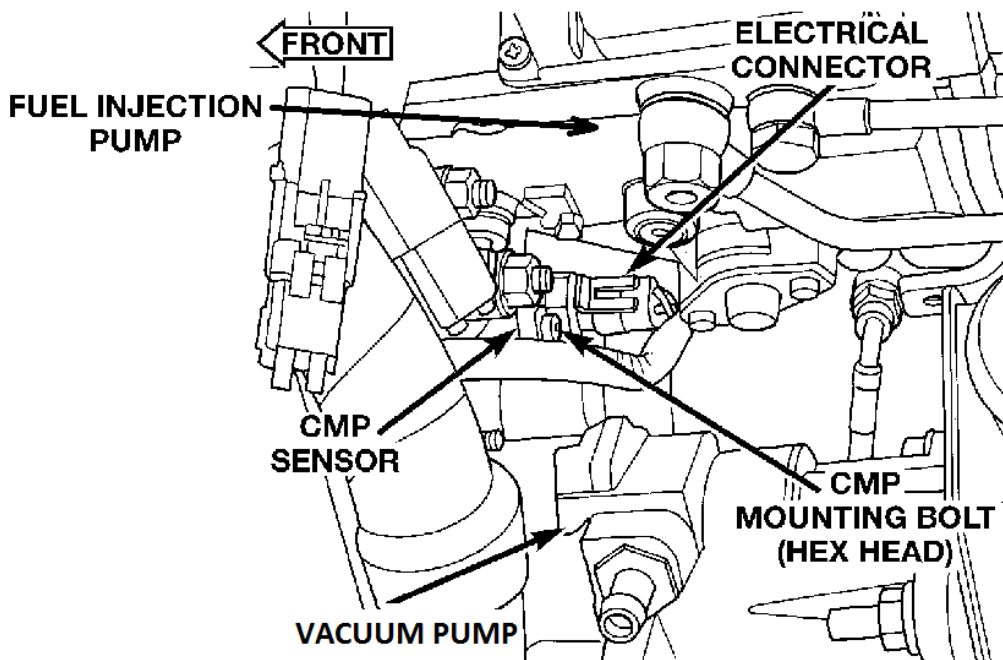
(PIN 11 VT/WH) Brake lamp output



6. Connect the light blue wire from the module onto the crankshaft or camshaft sensor signal wire as indicated below. A positap has not been supplied for this connection as it is to be soldered.

	<b>Signal Wire</b>	<b>RPM signal wire and suggested tap location</b>
<b>1998.5-2000 Dodge</b>	Camshaft	Plug in connector supplied for cam position sensor
<b>2001-2002 Dodge</b>	Camshaft	Plug in connector supplied for cam position sensor
<b>2003 Dodge</b>	Crankshaft	White with Tan tracer Crank sensor pin 3
<b>2004 Dodge</b>	Crankshaft	Light Blue with Brown tracer -or- Brown with Light Blue tracer Crank sensor pin 3
<b>2005-2017 Dodge</b>	Crankshaft	Brown with Light Blue tracer Crank sensor pin 3
<b>2014-2017 Dodge 3.0 (EcoDiesel)</b>	Crankshaft	Brown with light Blue tracer. Crank sensor pin 3
<b>2008-2010 GM (LMM)</b>	Crankshaft	White with Black tracer Pin 17 – 40 way black main engine disconnect.
<b>2011-2016 GM (LML)</b>	Crankshaft	White with Black tracer In orange loomed engine wire harness
<b>2017 GM (L5P)</b>	Crankshaft	Green wire Pin 3 of the 8 pin harness connector on top of engine.

**1998-2002 Dodge 5.9 (24V)** – Locate the engine camshaft position (CMP) sensor, just above the injection pump on the back side of the engine timing cover. Disconnect the camshaft position sensor connector and plug in the supplied connector in line with the sensor.

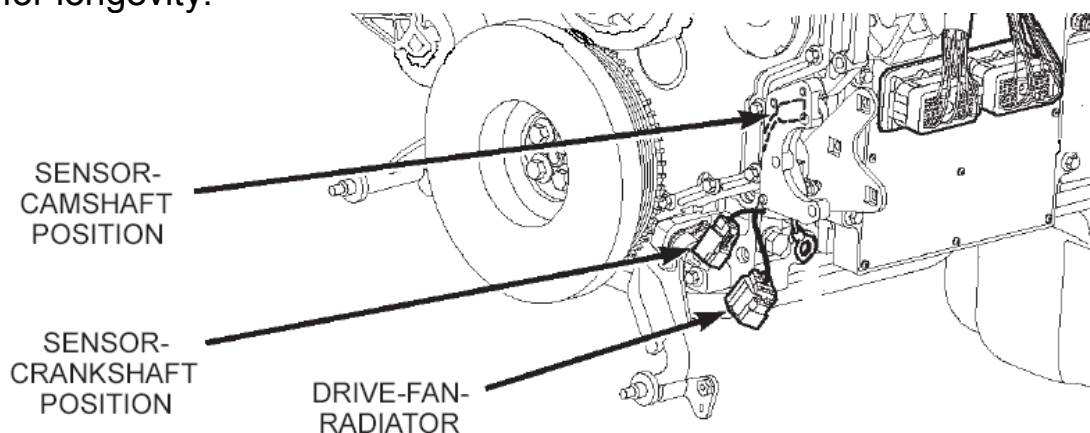


**2003-2004 Dodge 5.9L (CR)** – Locate the engine crankshaft position sensor, located toward the front of the engine on the left side beside the harmonic balancer. Cut off and discard the supplied three pin connector from the blue wire on the BD wiring harness (this is used only up to 2002). Tap the blue wire into the crankshaft sensor wire from pin 3 of the connector. Solder this connection and cover with heat shrink for longevity.

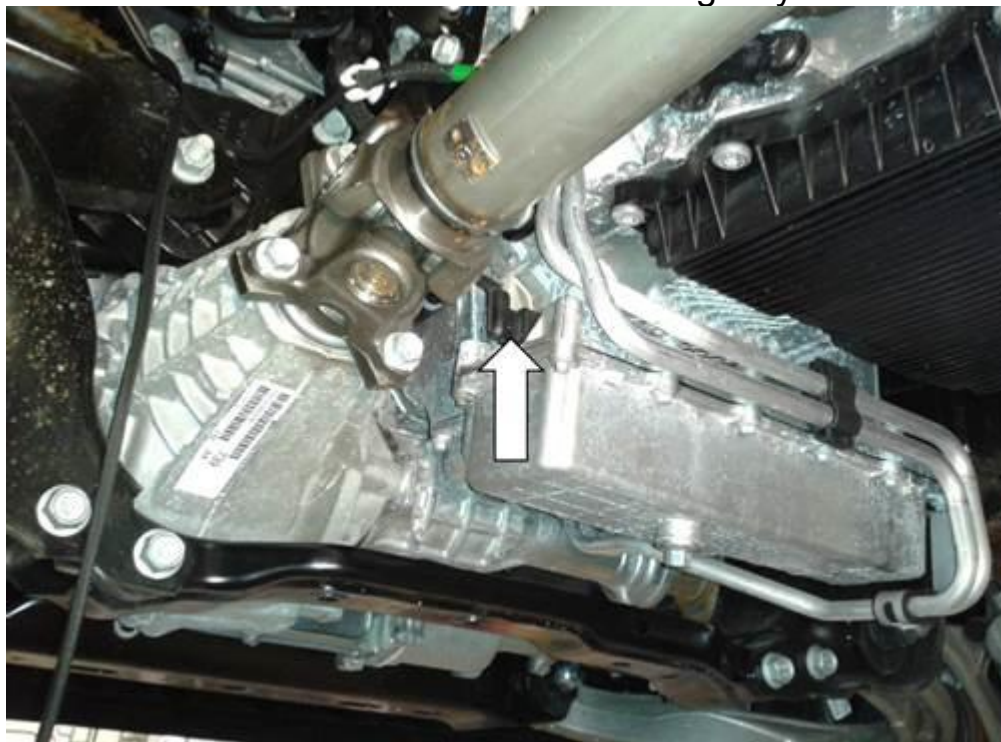
->2003 is a white wire with tan tracer

->2004 may be either light blue with brown tracer or brown with light blue tracer depending on build date.

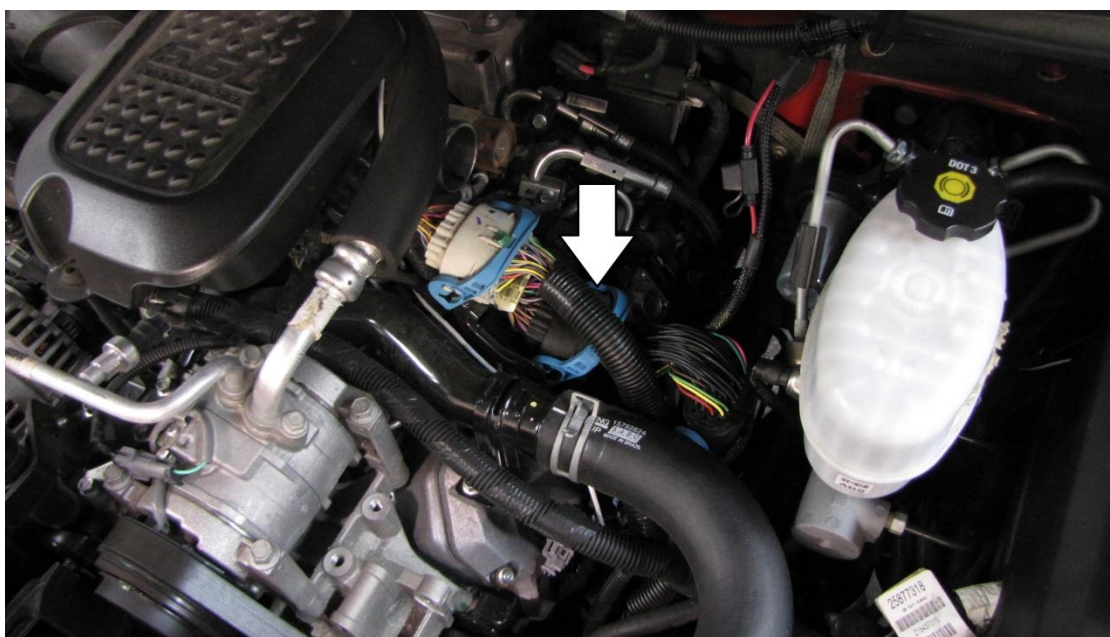
**2005-2017 Dodge 5.9/6.7L** – Locate the engine crankshaft position sensor, located toward the front of the engine on the left side beside the harmonic balancer. Tap the brown wire with light blue tracer (connector pin 3). Solder this connection and cover with heat shrink for longevity.



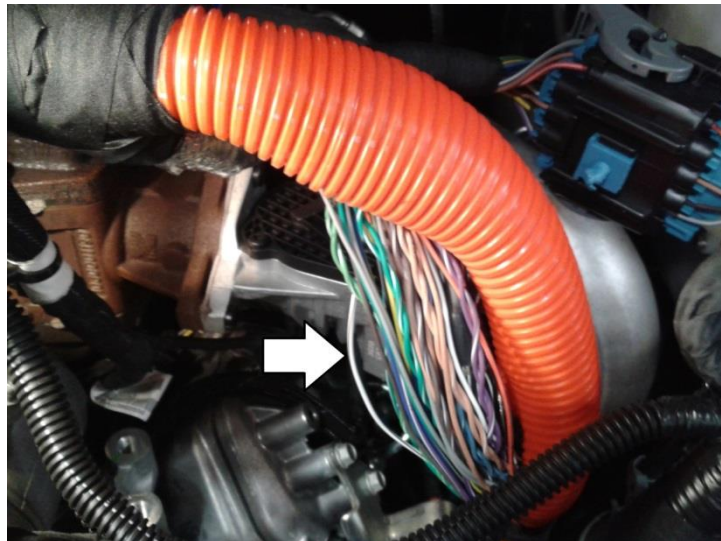
**2014-2017 Dodge 3.0L (EcoDiesel)** - Locate the engine crankshaft position sensor connector. This is located in the rear of the engine oil pan, just ahead of the transmission as shown in the picture. Tap the brown wire with light blue tracer (connector pin 3). Solder this connection and cover with heat shrink for longevity.



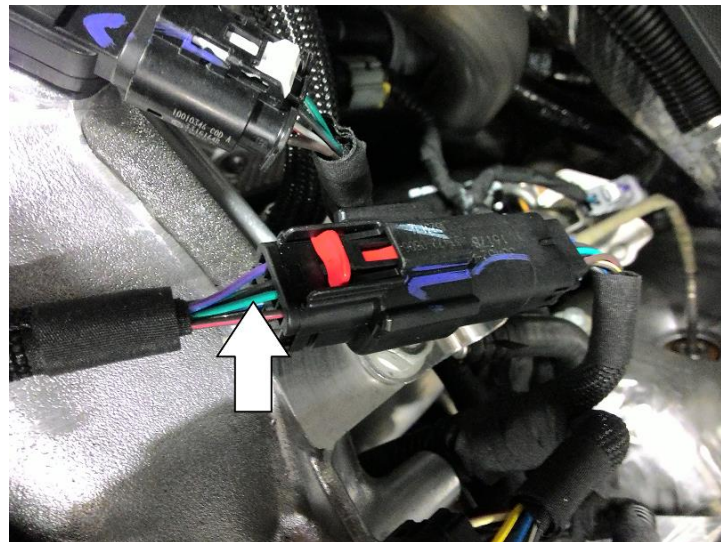
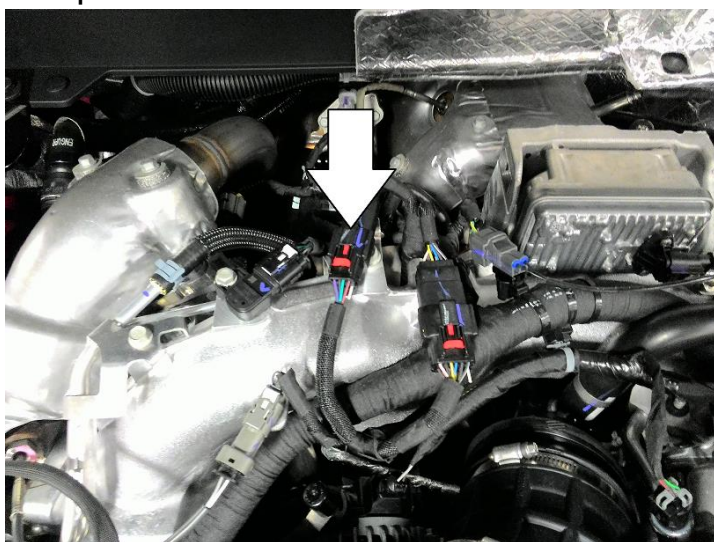
**2008-2010 GM LMM** – Locate the 40 way black engine disconnect on top left of engine. Locate pin number 17 (white wire with black tracker). Tap blue wire from the module onto this wire. Solder this connection and cover with heat shrink for longevity.



**2011-2016 GM LML** – Locate the main engine wiring harness (orange color). Caution: other wires in this harness run up to 250 volts, use care not to damage other wires or tap the incorrect wire. Remove the harness tape from the orange loom. Locate the 20 gauge white wire with black tracer. Verify there are no duplicate wire colors in this harness as tapping into the incorrect wire may damage the module. Solder this connection and cover with heat shrink for longevity. Put wires back into orange loom and wrap loom with harness tape.



**2017 GM L5P** – Locate the 8 pin sub-harness disconnect on the top of the engine for the crankshaft position sensor. Locate the solid green wire in pin 3. Remove some harness tape to have some wire to work with. Attach the light blue wire here for RPM pickup. Solder the wire and cover with heat shrink for longevity. Rewrap with tape when complete.



7. By default, the control knob has six positions: off, 900, 1200, 1500, 1800 and 2100 rpm. If a lower maximum rpm is desired, first turn the switch fully counter clockwise (off). Remove the knob and secondary mounting nut on the switch and lift out the switch positioning ring. Reinstall the ring such that it reduces the number of switch positions to the maximum rpm desired. Reassemble switch.

Check with the customer regarding what their needs are. If the high idle will be used mainly for extended idling or faster warm-ups, it may be desirable to limit the maximum RPM.

NOTE: Some 1998-2002 Dodge trucks, the 2100RPM setting will set a fault code for MAP vs. throttle correlation. This is due to a problem with the ECU calibration from Chrysler. If this problem arises, change the switch keying to disallow the 2100RPM setting.

8. Install the control knob. If installing directly into the dashboard, drill a 1/4" hole for the switch and a 1/16" hole for the locator tab. If using supplied bracket, install using the supplied screws. Apply decal around the hole or the bracket and then install control knob retainer nut. The knob requires a 1/16" Allen key to secure.

9. Remove cover from module.

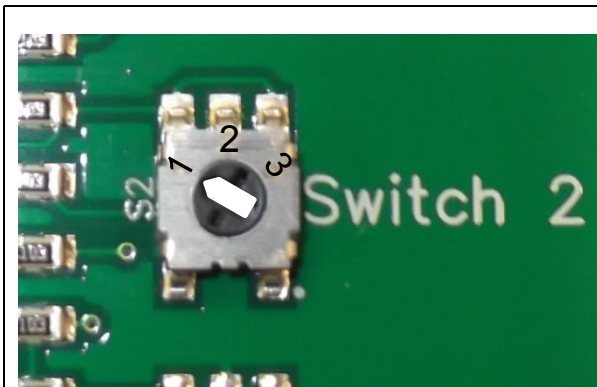




10. For 1998.5-2000 Dodge 24V applications, set the switch on the circuit board to position 3.

For 2001-2002 Dodge 24V applications, set the switch on the circuit board to position 2.

For all other applications leave switch in position 1.

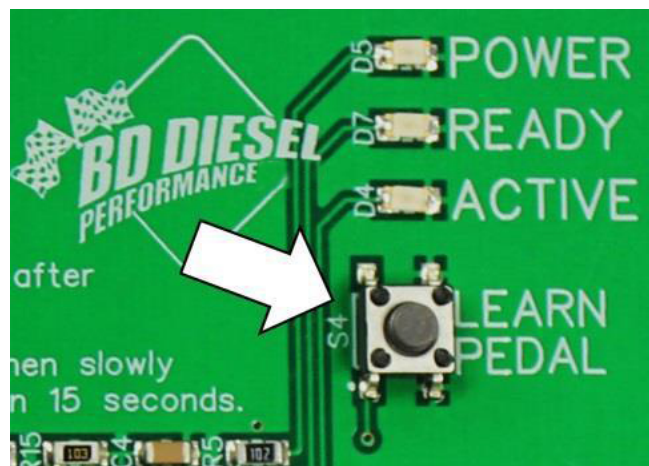


11. Connect the module circuit board to the wiring harness with the cover still off and keep away from metal objects that could cause a short circuit.

12. Reconnect vehicle batteries.

13. Before turning the ignition switch on make sure the high idle control switch is turned off or fault codes may be set.

Turn ignition switch to on position (not run) and then press and release the “LEARN PEDAL” button on the module. The READY and ACTIVE indicator lights will both illuminate. Slowly depress and release the throttle pedal a few times within 15 seconds. This will allow the module to learn you specific accelerator pedal sensor output. Make sure the pedal travel is not impeded by a floor mat. Once complete, the ACTIVE light will turn back off and the READY light should go back to flashing.



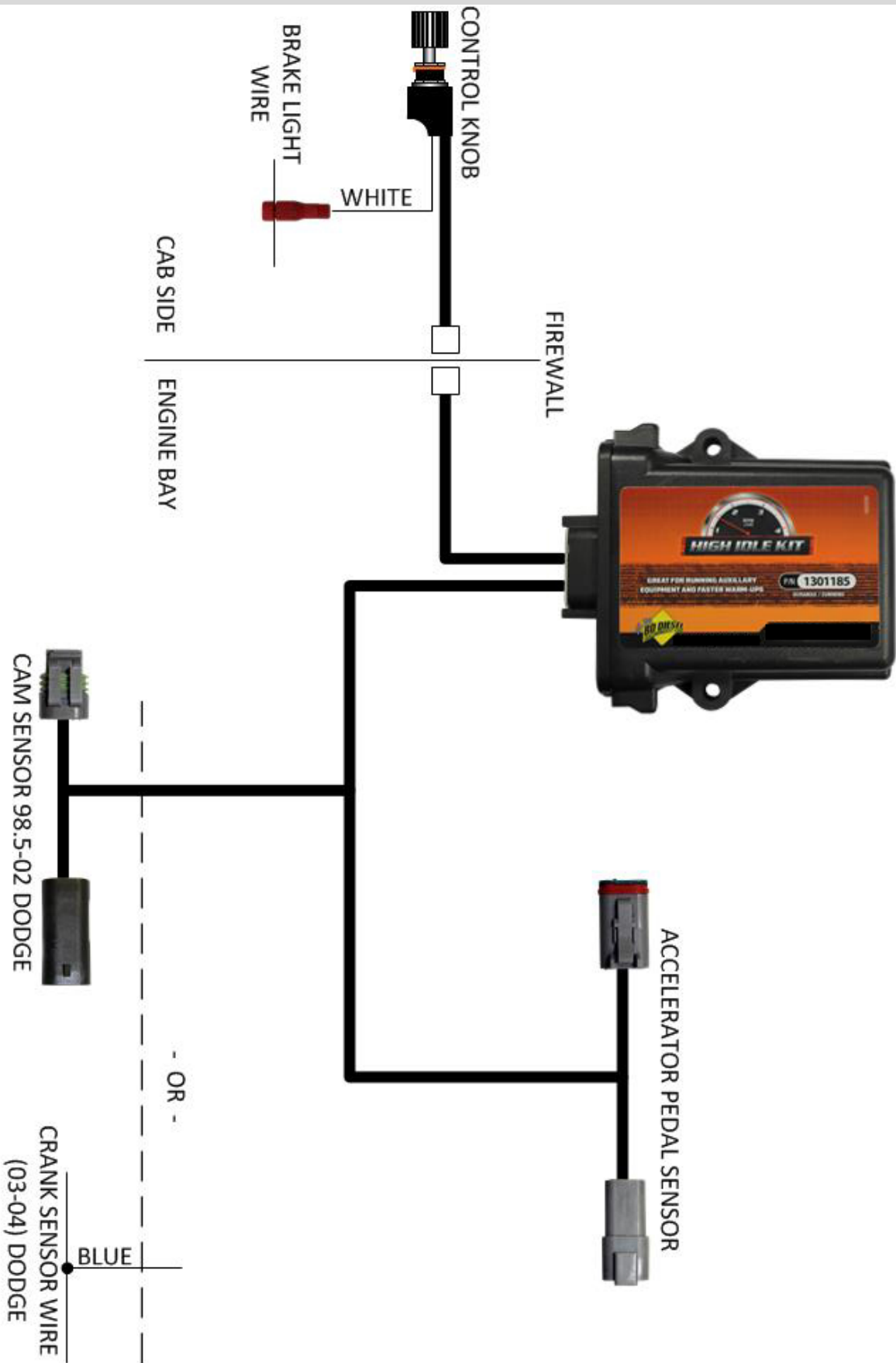
Note. If the pedal is replaced, it is a good idea to learn the module again.

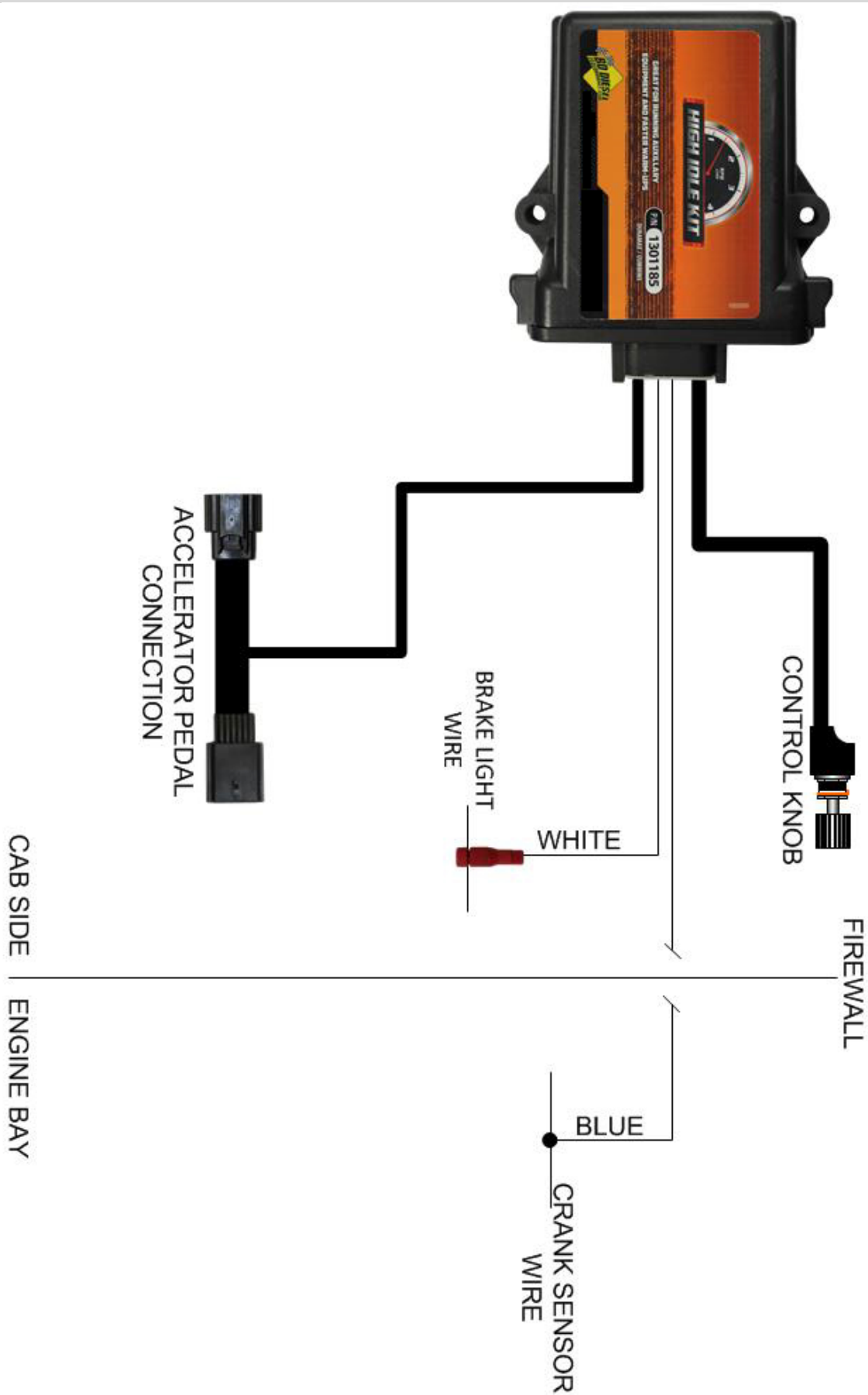
14. Snap cover back on module and mount the module below the dashboard or in the engine bay for 1998.5-2004 Dodge trucks.

15. Check for correct operation. Ensure that pressing the brake pedal does stop high idle correctly. Installation is now complete.

# Wiring Diagrams

## 1036620 Kits





## ***Operation Instructions***

The high idle kit allows the operator to command the engine to idle up by rotating the control switch mounted on the dashboard. When the knob is fully counter counterclockwise, the module will not command high idle. Turning the knob clockwise will enable the module. The available engine RPMs are 900, 1200, 1500, 1800 and 2100 rpm.

If the brake is pressed or the throttle is pressed the module will stop high idle. If this happens, the switch must be turned off and then back on or to another position to re-enable high idle. If the engine is shut off and restarted, the module will be reactivated. This feature allows the user to leave the high idle module in the desired position so that it will start automatically when the engine is started.

If the module is already turned on when the truck is started, the module will wait for 5 seconds before starting high idle. This is to allow oil pressure to stabilize before increasing engine speed. If high idle is required immediately, turning the module off and back on will cancel the timer.

Note: Late model Duramax engines will not allow excessive engine speeds when remote started. For this reason, we recommend not exceeding 1500rpm for remote start warm-ups. This applies only to factory remote start, when the key is put in the ignition this restriction is removed. On these vehicles, exceeding approximately 2000 rpm when remote started will cause the engine to automatically shut off.

**Troubleshooting**

<p>Vehicle Sets Codes for APPS Circuits</p>	<p>Check that the module is powered by removing the cover and checking for the <b>POWER</b> lamp. This should be lit whenever the ignition is on (and may remain powered after the ignition has been turned off for a short time on late model trucks).</p> <p>Ensure the connectors are fully seated. Some connectors are harder to mate together than others, ensure they do not come apart if tugged on.</p>
<p>High Idle Does Not Function</p>	<p>Open the module and check that when the brake and throttle are not pressed and the engine is running, the <b>READY</b> lamp is illuminated and not flashing. This indicates that the modules safety inputs are working, the engine RPM is detected and the module is ready to operate when commanded. If the <b>READY</b> lamp is flashing, this indicates the brake and throttle are not pressed, but the engine is not running or has no RPM input signal. If the <b>READY</b> lamp is not illuminated, verify that the brake lights are not stuck on and throttle pedal is not stuck down. If the module has not been learned to the throttle pedal, the <b>READY</b> lamp may not illuminate.</p> <p>Ensure that the <b>ACTIVE</b> light is on when the switch is turned on. If the <b>ACTIVE</b> light is flashing this indicates the control switch is commanding high idle, but the module is disabling it because it detected the brake or throttle was pressed or the engine is not running. If the <b>ACTIVE</b> light is on and not flashing, it should be ready to apply throttle to increase the idle speed.</p> <p>The module must be learned to the throttle pedal for it to increase idle speed. If not setup correctly, refer to installation step 9 above.</p>
<p>Brake Pedal Does Not Cancel High Idle</p>	<p>Verify brake lights function. If nonfunctional, correct this first.</p> <p>Verify the brake sense wire is tapped on the correct wire and use test light to verify that 12V is present on the white wire when the brake pedal is pressed.</p> <p>Open module and observe <b>READY</b> light. This light should go out when the brake or throttle pedal are pressed.</p>