



INSTALL MANUAL



BD Turbo TurnBuckle

Patent Pending

Part #	Description	Typical Application
1047110	1994-2007 with Holset/Aftermarket Wastegate w/5/16"NF Rod & .Ø320 Hole	Dodge
1047115	1999.5 Ford 7.3L Aftermarket Turbo w/5/16"NF Rod & .Ø250 Hole	Ford
1047116	2001-2004 LB7 w/Aftermarket Turbo or Wastegate – 5/16"NF Rod w/Pin	Duramax

Please read this manual before starting installation.

UNLESS AN EO# IS LISTED, THIS PRODUCT IS LEGAL IN CALIFORNIA FOR RACING VEHICLES ONLY, WHICH MAY NEVER BE USED UPON A HIGHWAY.

Kit Contents

1047110 Kit	1047115 Kit	1047116 Kit

Applications

<p>Kit will fit most Cummins Holset turbos. As well as the 90% of the waste gates used on BorgWarner / Holset / BD / Industrial Injection / Hitech aftermarket turbos. As well as Banks BigHead Wastegates.</p>	<p>Kit will fit Ford Powerstroke 7.3 <u>with</u> an aftermarket wastegate such as BD or Banks.</p> <p>Will also fit BD TurboThruster Kits.</p>	<p>Kit will fit LB7 turbos with an aftermarket wastegate such as BD or Banks.</p>
---	--	---

<p>All Kits</p>
<p>1130141</p>
<p>5/16 NF Jam Nut</p>
<p>Qty: 1</p>

Recommended Products

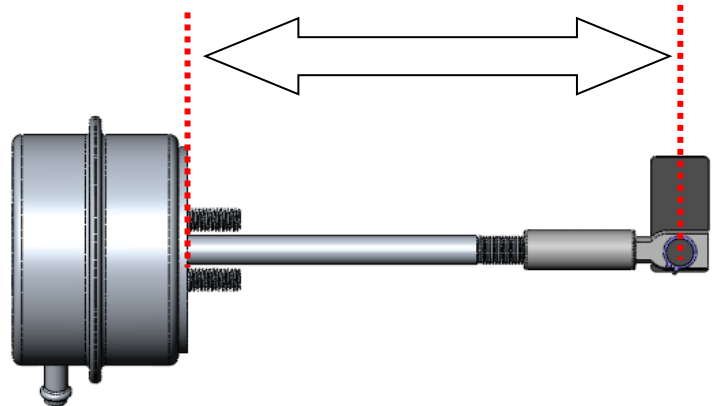
Description		Part#
Adjustable Wastegate Actuator Kits		
1994-98	Dodge HX35 Turbo	1047150
1999-02	Dodge HX35 Turbo	1047151
2003-07	Dodge HY35 Turbo	1047154
2001-04	GM LB7 Turbo	1047160
1999.5-03	Ford GTP38 Turbo	1047170

The adjustable wastegate will allow you to create higher boost by eliminating boost creep and having better control of the turbocharger boost. Set it, and forget it.

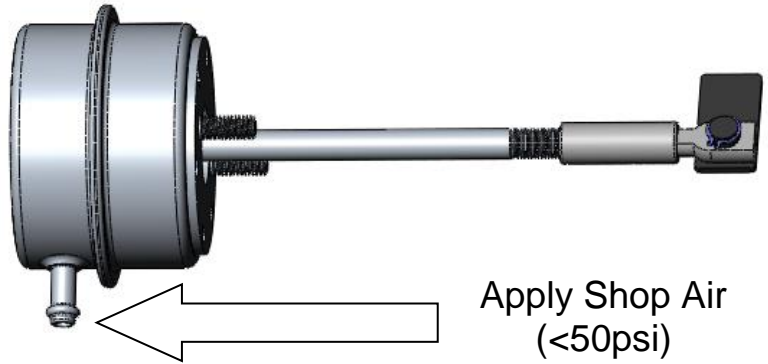
Installation

Depending on your application it is usually the easiest to perform the initial installation of the turbo turn buckle with the turbocharger off of the vehicle. If this is not an option, the next easiest is if you remove the wastegate diaphragm assembly from the turbo. Again if this is not an option you will have to perform the installation with everything attached to the turbo.

1. Measure the height of the factory wastegate from the base of the diaphragm to the center of the through hole of the rod end.

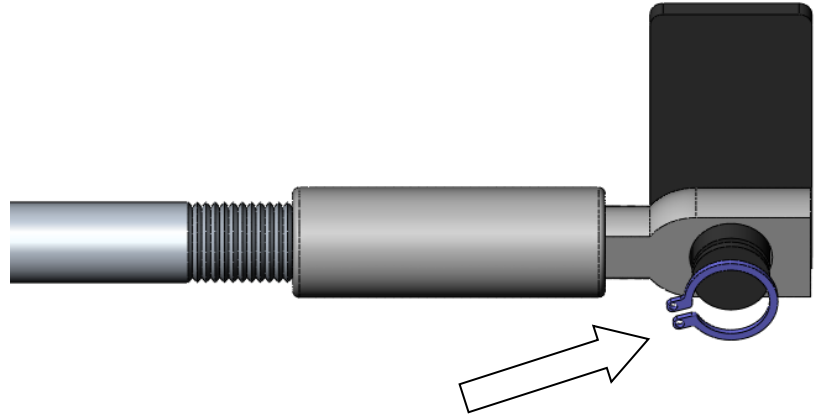


2. Then you will need to apply regulated shop air (<50psi) to the wastegate diaphragm to release the tension on the wastegate rod.



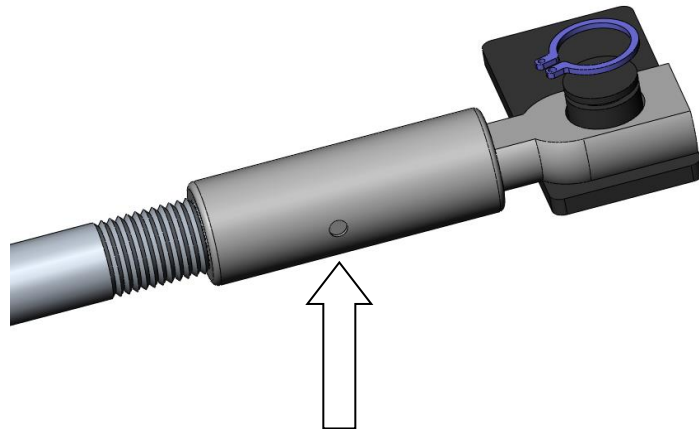
3. Once the tension is released you can remove the retaining ring, and push the rod out of the center hole.

Different turbochargers will have different retaining rings.



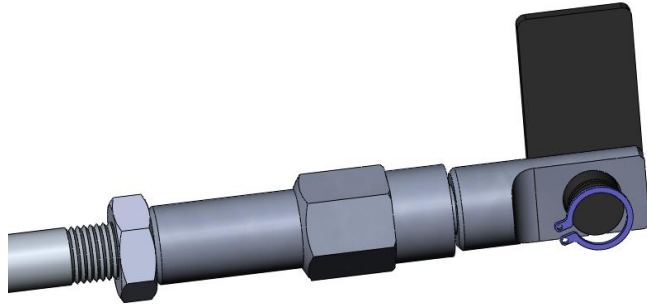
4. You can now un-thread the rod end from the shaft. Note that you will need to release the jam nut if there is one.

As well some of the Holset turbo's have been pressed to hold the wastegate in place. This will cause drag and most likely damage the threads when removing. It is advised to drill this section out.

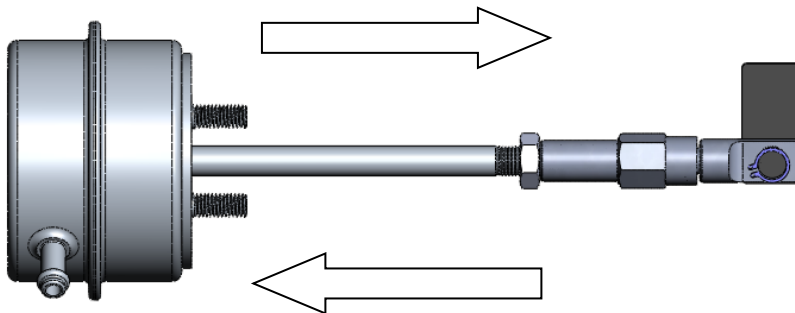


5. Install new jam nut, followed by the Turbo Turnbuckle. As well, install the retaining ring.

Thread the unit onto the rod so that the center hole is the same length as the factory unit that was removed.



Longer Length = Less Boost



Shorter Length = Higher Boost

You can now easily adjust your boost pressure without removing the retaining ring.

Loosen Jam Nut

Turn Turbo Turnbuckle desired direction using 1/2" wrench

Tighten Jam Nut and you are done.

