

TRANSMISSION BUILD-IT KITS



Build up your transmission with BD specialty parts



Are you looking to rebuild your own transmission and needing some specialty parts to match your application? BD offer a range of rebuild parts kits featuring the same parts we use in our performance transmissions for the seasoned builder to complete the job. All the kits include the basic rebuild parts and gaskets and have the added touches that range from stock HP up to our stage 4 Master Kit – which is pretty well everything we put in our own transmission rebuilds.

DODGE 1994-2002 47RH-47RE	1062001 Stage 1	1062002 Stage 2	1062003 Stage 3	1062004 Stage 4
Band – High Temp/Energy – Raybestos	1	1	1	1
Band Anchor – Billet	-	1	1	1
Accumulator Piston – Billet Dual Ring	-	-	1	1
Bushing – Front Clutch Drum 0.85	1	1	1	1
Bushing – Pump – Bronze w/Dimples	1	1	1	1
Friction – Front (Dir/Hi/Rev) Allomatic	4	5	5	5
Friction – O/D Allomatic	5	5	6	6
Friction – O/D Direct Borg Warner	10	10	10	10
Friction – Rear (FWD) Borg Warner	4	5	5	5
Shifter Bracket & Lever Kit – 4.2 Ratio	-	-	-	1
Gasket Kit – Overhaul	1	1	1	1
Pressure Plate – Dir/FWD (Frt) .145”	-	1	1	1
Pressure Plate – Dir/FWD (Frt) .185”	-	1	1	1
Pressure Plate Forward (Rr) Beveled Machined	-	1	1	1
Pressure Plate O/D Brake F&R Machined	-	-	1	1
Piston – Dir. Clutch (Frt) Machined	-	1	1	1
Piston Retainer Kit	-	-	-	1
Servo Cover Ring	-	-	-	1
Servo Piston Cover	-	-	-	1
Snap Ring – Direct Clutch .062	-	-	-	1
Snap Ring – Direct Clutch .074	-	1	1	1
Snap Ring – Direct Clutch .088	-	-	-	1
Rear Clutch Piston Spring	-	-	-	1
Steel – FWD (Dir/Hi/Rev)	3	4	4	4
Steel – O/D Brake	5	5	6	6
Steel – O/D Dir .525”	9	9	9	9
Steel – Frt (Dir/Hi/Rev) Oversize	5	5	5	5
Strut – Front Band	1	1	1	1
Washer – Int. Shaft Thrust .052	-	1	1	1

OPTIONS	Gear-train Exchange*	1030341
	Valve Body Exchange*	1030415 1994-1995 1030416 1995-1998
		1030417 1998.5-1999 1030418 2000-2002
	BD Heavy Duty Trans Pan	1061501 1989-2007
	BD Flex Plate	1041210 1994-2007
	BD Trans Oil Filter Kit	1064017 1994-2007
Press Transducer Upgrade	1060602 2000-2007	

Parts in **Yellow** are BD Exclusive / *Core Charges Apply

DODGE 2003-2007 48RE	1062011	1062012	1062013	1062014
	Stage 1	Stage 2	Stage 3	Stage 4
Band – High Temp/Energy – Raybestos	1	1	1	1
Band Anchor – Billet	-	1	1	1
Accumulator Piston – Billet Dual Ring	-	-	1	1
Bushing – Front Clutch Drum 0.85	1	1	1	1
Bushing – Pump – Bronze w/Dimples	1	1	1	1
Clutch Disc	1	1	1	1
Friction – Front (Dir/Hi/Rev) Allomatic	4	5	5	5
Friction – O/D Allomatic	5	5	6	6
Friction – O/D Direct Borg Warner	10	10	10	10
Friction – Rear (FWD) Borg Warner	4	5	5	5
Shifter Bracket & Lever Kit – 4.2 Ratio	-	-	-	1
Gasket Kit – Overhaul	1	1	1	1
Pressure Plate – Dir/FWD (Frt) .145”	-	1	1	1
Pressure Plate – Dir/FWD (Frt) .185”	-	1	1	1
Pressure Plate Forward (Rr) Beveled Machined	-	1	1	1
Pressure Plate O/D Brake F&R Machined	-	-	1	1
Piston – Dir. Clutch (Frt) Machined	-	1	1	1
Piston Retainer Kit	-	-	-	1
Servo Cover Ring	-	-	-	1
Servo Piston Cover	-	-	-	1
Snap Ring – Direct Clutch .062	-	-	-	1
Snap Ring – Direct Clutch .074	-	1	1	1
Snap Ring – Direct Clutch .088	-	-	-	1
Rear Clutch Piston Spring	-	-	-	1
Steel – FWD (Dir/Hi/Rev)	3	4	4	4
Steel – O/D Brake	5	6	6	6
Steel – O/D Dir .525”	9	9	9	9
Steel – Frt (Dir/Hi/Rev) Oversize	5	6	6	6
Strut – Front Band	1	1	1	1
Washer – Int. Shaft Thrust .052	-	1	1	1

OPTIONS	Gear-train Exchange*	1030342 2003-2007
	Valve Body Exchange*	1030419 2003-2004
		1030423 2005-2007
	BD Heavy Duty Trans Pan	1061501 1989-2007
	BD Flex Plate	1041210 1994-2007
	BD Trans Oil Filter Kit	1064017 1994-2007
	Press Transducer Upgrade	1060602 2000-2007

Parts in **Yellow** are BD Exclusive / *Core Charges Apply

DODGE 2007.5-2017 68RFE		1062023 Stage 3
29302	2 nd Clutch Friction Raybestos	3
29303	2 nd Clutch Steel	3
29310	4 th Clutch Friction Raybestos	3
29311	4 th Clutch Steel	3
29601	Filter	1
29609	Filter – Spin On	1
B29308L	O/D 3 rd Gear Friction Raybestos	15
B29309L	O/D 3 rd Gear Steel	15
K29900L	Overhaul Kit	1
1600186	Plate VB 68RFE	1
52119645AA	Pump Cover	1
1600205	Valve Body Accumulator Plate	1
29321L	Reverse Friction	7
29322L	Reverse Steel	7
1600163	OD/Rev Plate	1
1600162	Intr Plate	1
1060603	One-way clutch – HD Upgrade	1
1600186-1	Gasket; Valve Body solenoid side	1
1600186-2	Gasket; Valve Body	1
52118261	Check Ball; 0.25" Diameter	1

OPTIONS	BD Heavy Duty Trans Pan	1061525 2007.5-2012
	BD Flex Plate	1041220 2007.5-2012

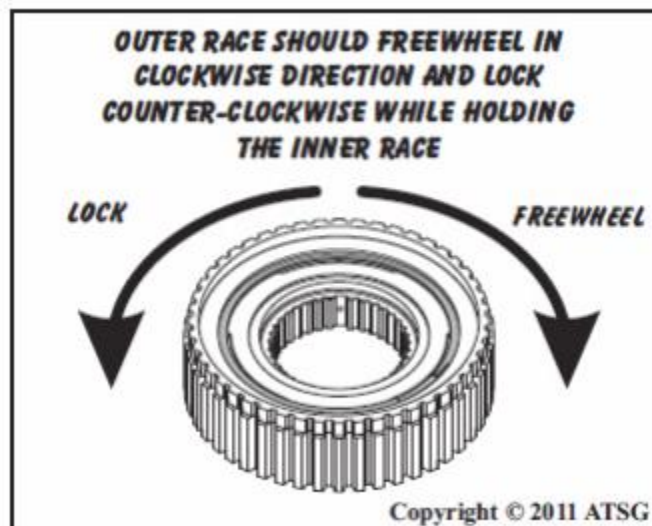


Parts in **Yellow** are BD Exclusive / *Core Charges Apply

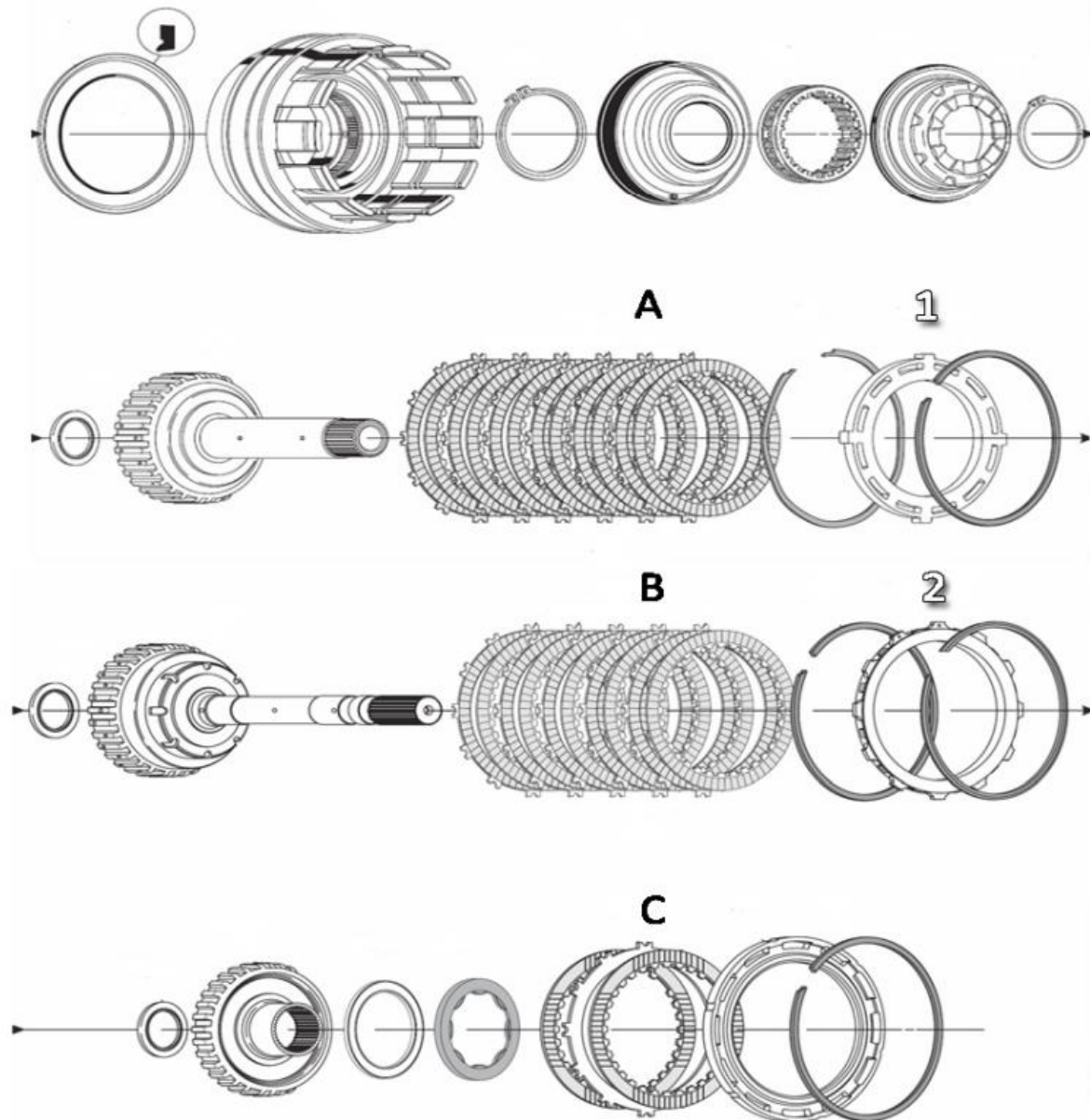
DODGE 2007.5-2017 68RFE		1062025 Stage 4
29302	2 nd Clutch Friction Raybestos	3
29303	2 nd Clutch Steel	3
29310	4 th Clutch Friction Raybestos	3
29311	4 th Clutch Steel	3
29601	Filter	1
29609	Filter – Spin On	1
B29308L	O/D 3 rd Gear Friction Raybestos	15
B29309L	O/D 3 rd Gear Steel	15
K29900L	Overhaul Kit	1
52119645AA	Pump Cover	1
29321L	Reverse Friction	7
29322L	Reverse Steel	7
1600205	Valve Body Accumulator Plate	1
1060603	One-Way Clutch – HD Upgrade	1
1600163	Custom HD Lower Pressure Plate	1
1600162	Custom HD Rev/OD Plate	1
1030362	Protect68 Kit 2007.5-2017	1

OPTIONS	BD Heavy Duty Trans Pan	1061525 2007.5-2012
	BD Flex Plate	1041220 2007.5-2012

When assembling 1st gear sprag,
please be sure to follow the instructions
provided with the sprag to ensure correct functionality.



Parts in **Yellow** are BD Exclusive / *Core Charges Apply



A – Overdrive Clutch – Use 7+7 B29308L & B29309L (OEM uses 6+6)

B – Direct Clutch – Use 6+6 of B29308L & B29309L (OEM uses 5+5)

C – Reverse – Use 2+2 of B29308L & B29309L (OEM uses 2+1)

1 – Rev/OD Pressure Plate #1600162 (can only be installed one way)

2 – Direct/OD Pressure Plate #1600163 (can be installed one way)

Parts in **Yellow** are BD Exclusive / *Core Charges Apply

FORD 1990-1997 E4OD	1990-1994 Stage 4		1995-1997 Stage 4	
	1062104-2	1062104-4	1062114-2	1062114-4
Bearing	2	2	2	2
Bearing – Bronze	1	1	1	1
Boost Valve	1	1	1	1
Boost Valve & Sleeve Kit	1	1	1	1
Bushing 1-Pc Case	1	1	1	1
Centre Support – Machined	1	1	1	1
Clutch – O/D Roller (Cast)	1	1	-	-
Clutch – O/D Roller (Steel)	-	-	1	1
Clutch – Overrun Roller	1	1	1	1
Coast Clutch Piston	1	1	-	-
Coast Clutch Frictions/Steels	2	2	2	2
Direct Frictions/Steels	5	5	5	5
Filter	1	1	1	1
Forward Frictions/Steels	5/4	5/4	5/4	5/4
Gear Pump	1	1	1	1
Inner Race	1	1	1	1
Intermediate Band	1	1	1	1
Intermediate Band Servo Piston	1	1	1	1
Intermediate Piston	-	-	1	1
Intermediate Frictions/Steels	4	4	4	4
Intermediate Sprag	1	1	1	1
Low Reverse Frictions/Steels	4	4	4	4
Output Shaft	1	1	1	1
Overdrive Friction/Steels	4	4	4	4
Overhaul Kit	1	1	1	1
Pressure Plate – Low/Rev Machined	1	1	1	1
Race – Inner Machined	1	1	-	-
Rear Planet	-	-	1	1
Rear Ring Gear Hub – Machined	1	1	1	1
Reprogramming Kit	1	1	1	1
Snap Ring	1	1	1	1
Steel – Machined	1	1	1	1
Steel Planet – 6 Pin	1	1	-	-

OPTIONS	Solenoid Packs	1030431 1990-1994 1030432 1995-1997
	Accumulator Body Exchange*	1060442 1995-2003 2wd 1060444 1995-2003 4wd
	BD Heavy Duty Trans Pan	1061716 1989-2010
	BD Trans Oil Filter Kit	1064012 1994-1997

Parts in **Yellow** are BD Exclusive / *Core Charges Apply

FORD 1999-2003 4R100	1999-2003 Stage 1		1999-2003 Stage 4	
	1062121	1062124-2	1062124-2	1062124-4
Bearing	-	2	2	2
Bearing Bronze	1	1	1	1
Boost Valve	-	1	1	1
Boost Valve and Sleeve Kit	-	1	1	1
Bushing – 1-Pc Case	1	1	1	1
Bypass Tube Eliminator – Front	-	1	1	1
Bypass Tube Eliminator – Rear	-	1	1	1
Center Support – Machined	-	1	1	1
Clutch – O/D Roller (Steel)	-	1	1	1
Clutch – Overrun Roller	-	1	1	1
Coast Clutch Piston	-	1	1	1
Coast Clutch Piston	2	2	2	2
Direct Frictions Borg Warner/Steels	5	5	5	5
Filter	1	1	1	1
Forward Frictions/Steels Raybestos	5/4	5/4	5/4	5/4
Friction – Rev/Low – 24 Teeth	-	7	7	7
Gear Pump	-	1	1	1
Inner Race	-	1	1	1
Intermediate Band	-	1	1	1
Intermediate Band Servo Piston	-	1	1	1
Intermediate Frictions/Steels Exedy	4	4	4	4
Intermediate Piston – Machined	-	1	1	1
Intermediate Sprag	-	1	1	1
Lockup Kit – On/Off	-	1	1	1
Low Reverse Frictions/Steels BorgWarner	2	2	2	2
Output Shaft	-	1	1	1
Overdrive Frictions/Steels BorgWarner	4	4	4	4
Overhaul Kit	1	1	1	1
Pressure Plate – Low/Rev Machined	-	1	1	1
Rear Planet	-	1	1	1
Rear Ring Gear Hub	-	1	1	1
Shift Kit – Tugger	-	1	1	1
Snap Ring – Sure Lock	-	1	1	1
Steel Machined	-	1	1	1
Washer – 1.0x0.530x0.063 5052 Alum	-	2	2	2
Washer – 1.0x0.665x0.063 5052 Alum	-	2	2	2

OPTIONS	Solenoid Packs	1030434
	Accumulator Body Exchange*	1060442 1995-2003 2wd 1060444 1995-2003 4wd
	BD Heavy Duty Trans Pan	1061716 1989-2010
	BD Trans Oil Filter Kit	1064013 1999-2003

Parts in **Yellow** are BD Exclusive / *Core Charges Apply

FORD 2003-2010 5R110	1062131 2003-2004 Stage 1	1062134 2003-2004 Stage 4	1062141 2005-2010 Stage 1	1062144 2005-2010 Stage 4
Bearing Bronze	1	-	1	1
Coast Clutch Friction Raybestos	3	3	3	3
Direction Friction Allomatic	4	6	4	6
Direct Steel	4	6	4	6
Direct Piston – Machined	-	1	-	1
Direct Pressure Plate – Machined	-	1	-	1
Filter	1	1	1	1
Forward Clutch Friction Raybestos	4	4	4	4
Forward Clutch Steel	4	4	4	4
Intermediate Friction Allomatic	3	5	4	5
Intermediate Steel	3	5	4	5
Intermediate Pressure Plate – Machined	-	1	-	1
Intermediate Steel - .079"	-	-	-	1
Low Reverse Friction Raybestos	6	6	6	6
Low Reverse Steel	6	6	6	6
Overdrive Friction Raybestos	3	5	3	5
Overdrive Steel	3	5	3	5
Overdrive Piston – Machined	-	1	-	1
Overdrive Pressure Plate – Machined	-	1	-	1
Overhaul Kit	1	1	1	1
Piston – Aluminum	-	1	-	1
Piston Kit	-	-	-	1
Plug Kit	-	1	-	1
Shift Kit	-	1	-	1
Steel Kit	1	1	1	1

OPTIONS**BD Heavy Duty Trans Pan****1061716 1989-2010**Parts in **Yellow** are BD Exclusive / *Core Charges Apply

GM 2000-2010 Allison 1000	1062204 2004-2004 Stage 4	1062214 2004-2006 Stage 4	1062224 2006-2010 Stage 4
C1 Clutch Pack Raybestos Z-Pack	1	1	1
C2 Clutch Pack Raybestos Z-Pack	1	1	1
C3 Plate Assembly – Machined	1	1	1
C3/C4 Friction Plate Allomatic	12	12	12
C3/C4 Piston Machined	2	2	2
C3/C4 Reaction Plate	10	10	10
C3/C4 Spring Plate	2	2	2
C4 Plate Assembly – Machined	1	1	1
C5 Friction Plate Raybestos	7	7	7
C5 Plate Assembly – Machined	1	1	1
C5 Reaction Plate .097"	7	7	7
Crazy Washer	1	1	1
E Shift Valve Spring	1	1	-
Filter Main	1	1	1
Filter Suction – Deep	1	1	1
F-Trim Valve End Sleeve	1	1	1
G Solenoid Plate	1	1	-
Lock Up Boost Kit	1	-	-
Overhaul Kit	1	1	1
Pressure Switch Assembly	1	1	1
Shift Kit	1	1	1

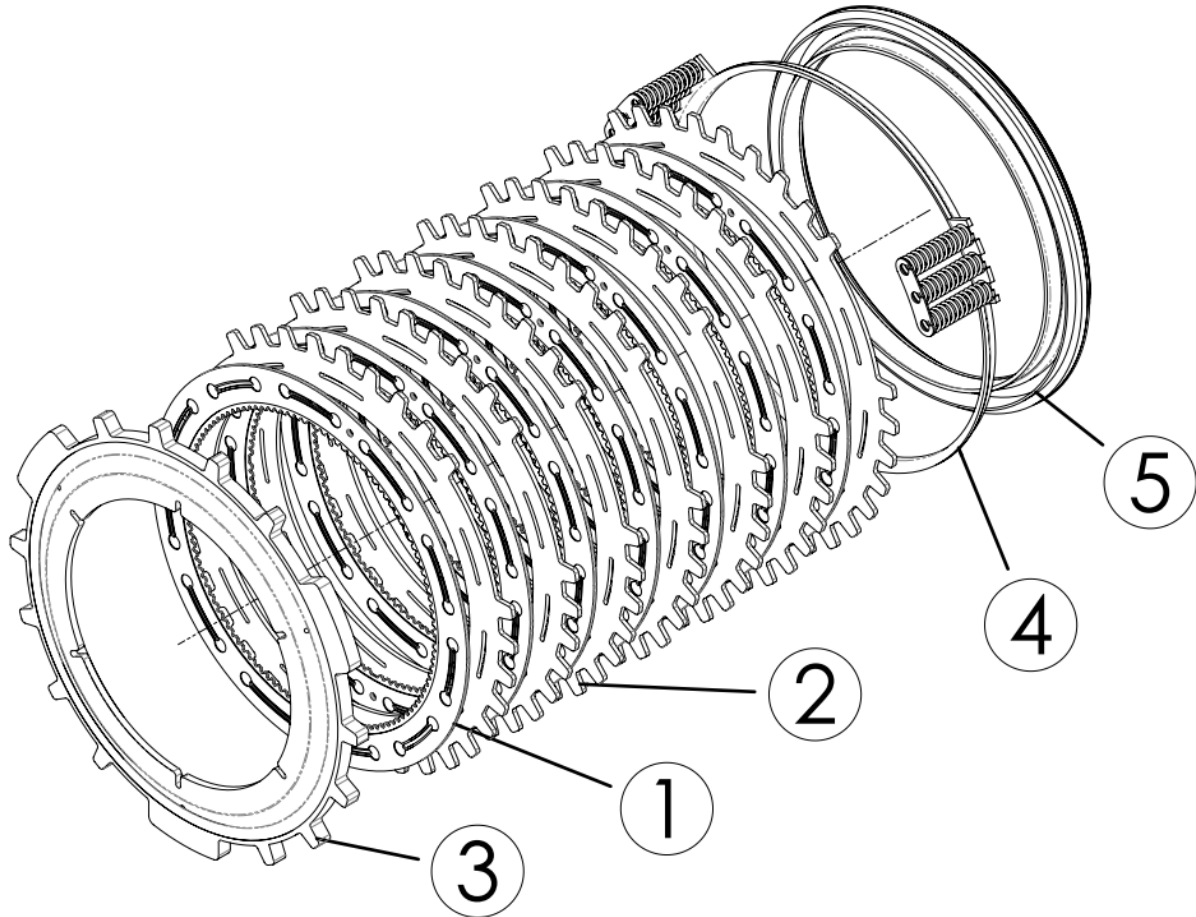
OPTIONS	Valve Body Exchange*	1030470 2001-2004 LB7 1030472 2006-2007 LBZ	1030471 2004-2006 LLY 1030473 2007-2008 LMM
	BD Heavy Duty Trans Pan	1061650 2001-2018	
	BD Flex Plate	1041260 2001-2011	



Parts in **Yellow** are BD Exclusive / *Core Charges Apply

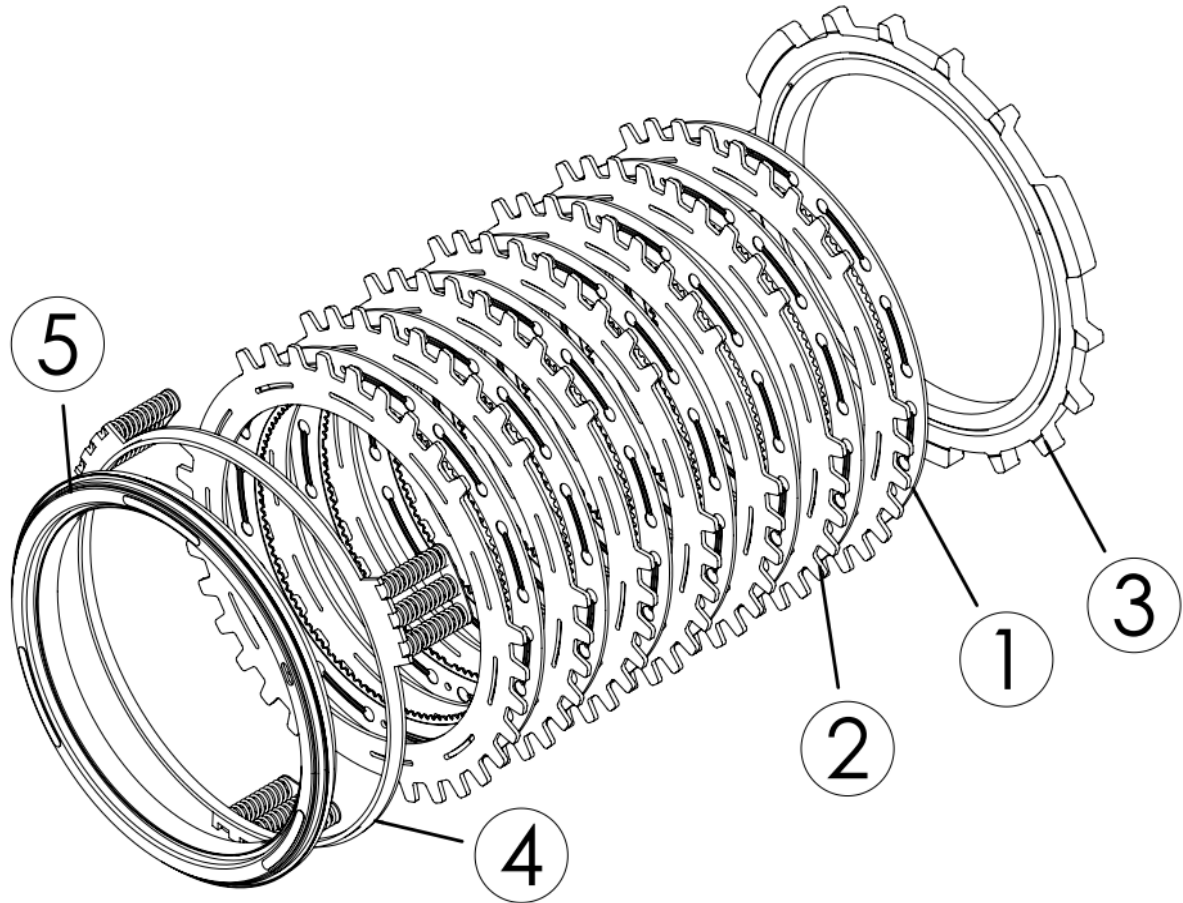
GM 2011-2017 Allison 1000		1062226 Stage 3	1062227 Stage 4
RGZ-1001	C1 Clutch Pack GPZ – Raybestos	1	1
RGZ-1002	C2 Clutch Pack GPZ – Raybestos	1	1
29546702-M	C3 Pressure Plate – Machined	1	1
GPZ-195	C3/C4 Frictions GPZ – Raybestos	14	14
29531048	C3/C4 Steels	14	14
29546697-1-M	C3/C4 Piston – Machined	2	2
29546697-2-M	C3/C4 Spring Retainer – Machined	2	2
29546271-M	C4 Pressure Plate – Machined	1	1
29531058-M	C5 Pressure Plate – Machined	1	1
29537393	C5 Frictions – Raybestos	7	7
29536482	C5 Steels	7	7
29536859	C5 Piston Inner Lip Seal	1	1
1604730	Crazy Washer	1	1
29539579	Filter Main	1	1
29537966	Filter Suction – Deep	1	1
29545312	Overhaul Kit	1	1
29546972	Pressure Switch Assembly	1	1
Coming Soon	Pressure Enhancer Kit	-	1
29536703	Pump Bushing	1	1

OPTIONS**BD Heavy Duty Trans Pan****1061650 2001-2018**Parts in **Yellow** are BD Exclusive / *Core Charges Apply



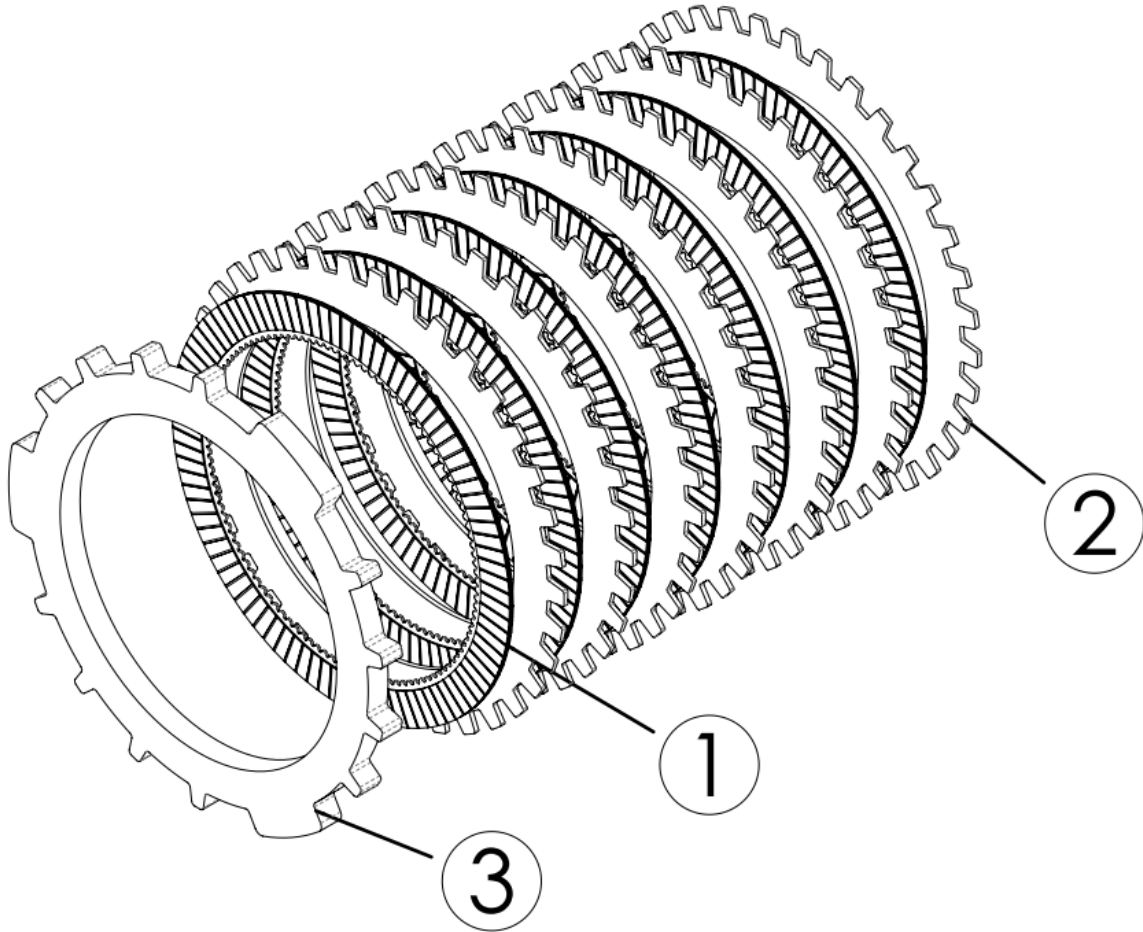
C3 Clutch Pack Configuration: Use 7+7 (OEM uses 4+4)

- Item 1: Frictions GPZ-195
- Item 2: Steels 29531048
- Item 3: Pressure Plate 29546702-M
- Item 4: Spring Retainer 29546697-2-M
- Item 5: Piston 29546697-1-M



C4 Clutch Pack Configuration: Use 7+7 (OEM uses 6+6)

- Item 1: Frictions GPZ-195
- Item 2: Steels 29531048
- Item 3: Pressure Plate 29546271-M
- Item 4: Spring Retainer 29546697-2-M
- Item 5: Piston 29546697-1-M



C5 Clutch Pack Configuration: Use 7+7 (OEM uses 6+6)

- Item 1: Frictions 29537393
- Item 2: Steels 29536482
- Item 3: Pressure Plate 29531058-M

Parts in **Yellow** are BD Exclusive / *Core Charges Apply