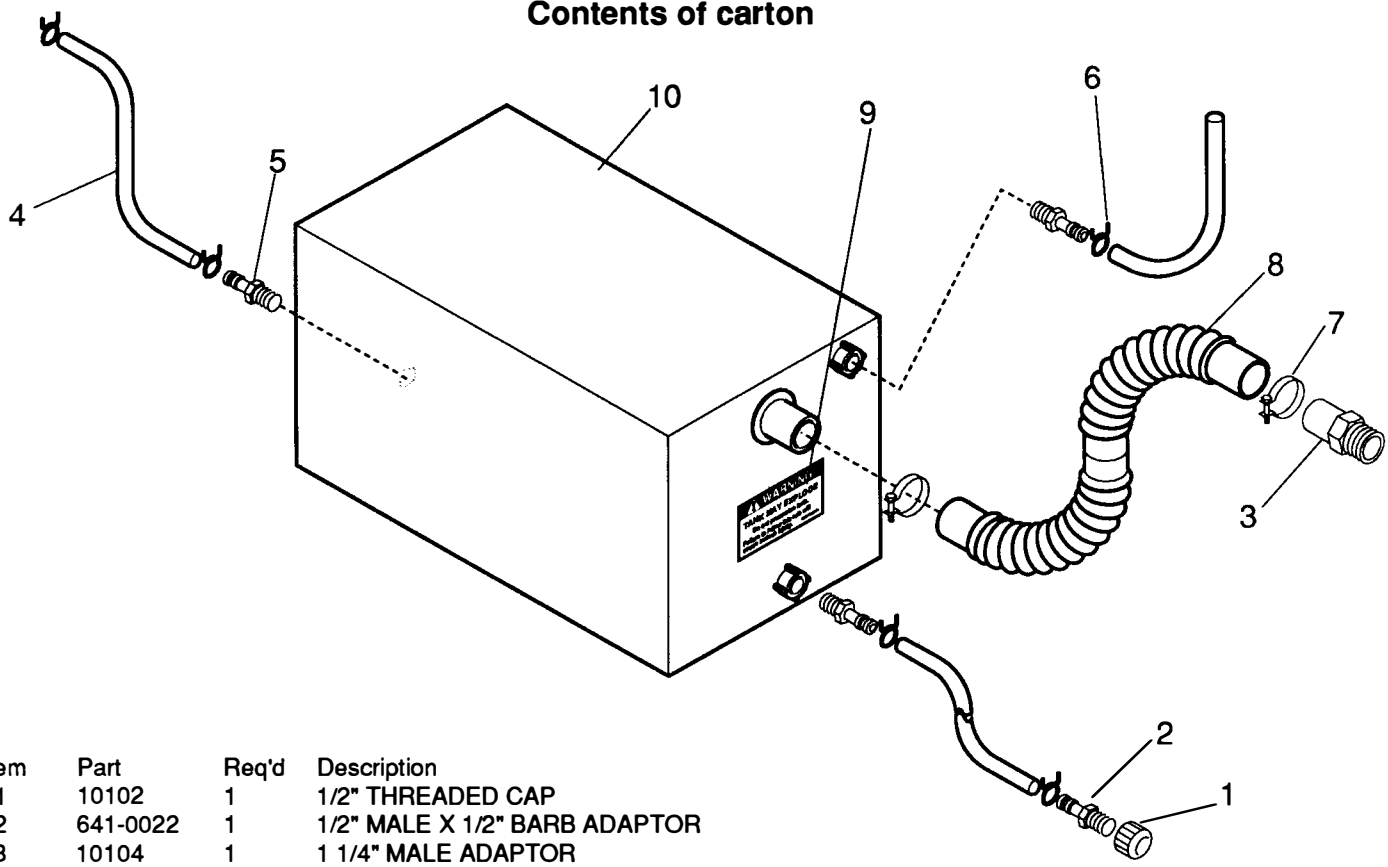




# Water Tank Kit

## Models: 11914, 11915, 11916, 11917 Installation and Operation Instructions

Contents of carton



Item	Part	Req'd	Description
1	10102	1	1/2" THREADED CAP
2	641-0022	1	1/2" MALE X 1/2" BARB ADAPTOR
3	10104	1	1 1/4" MALE ADAPTOR
4	19101	1	96" X 1/2" VINYL TUBING
5	641-0021	3	3/8" MALE X 1/2" BARB ADAPTOR
6	633-0000	5	1/2" HOSE CLAMP
7	80817	2	1 1/4" HOSE CLAMP
8	10105	1	24" X 1 1/4" FILL HOSE
9	17111	1	WARNING LABEL
10		1	WATER TANK
10	10096		12 GALLON TANK
10	10107		15 GALLON TANK
10	10109		20 GALLON TANK
10	10111		30 GALLON TANK

**Tools required** - Slotted screwdriver, Cresnet wrench, and Pliers

**! WARNING**

**TANK MAY EXPLODE**

Do not pressurize tank.  
Failure to follow this rule will cause serious injury.

FORM #17111A

# Assembly instruction

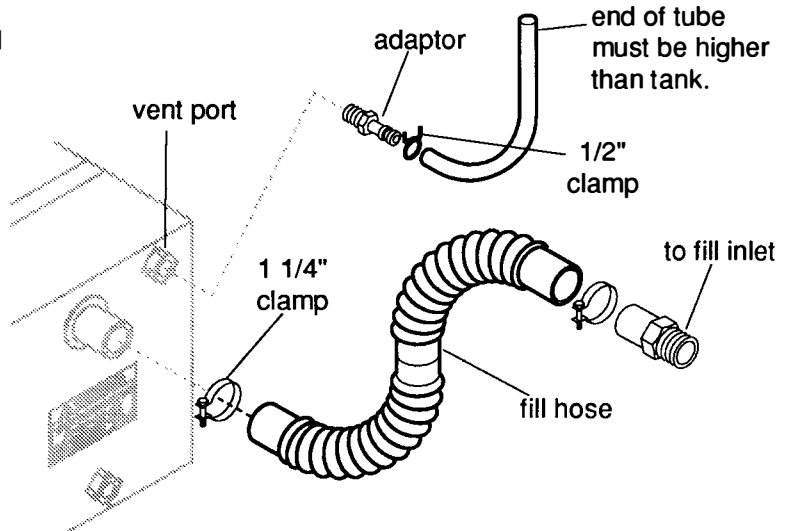
Mount tank securely to vehicle to prevent loosing and damage to tubing and clamps.

Push fill hose over inlet until it is snug against tank. Secure with 1 1/4" clamp.

Screw adaptor into fill inlet. Push fill hose over adaptor and secure with 1 1/4" clamp.

Cut off 12" of tubing for vent line. Screw adaptor into tank (vent port). Secure tubing to adaptor with 1/2" hose clamp.

For proper venting position end of tube higher than tank.



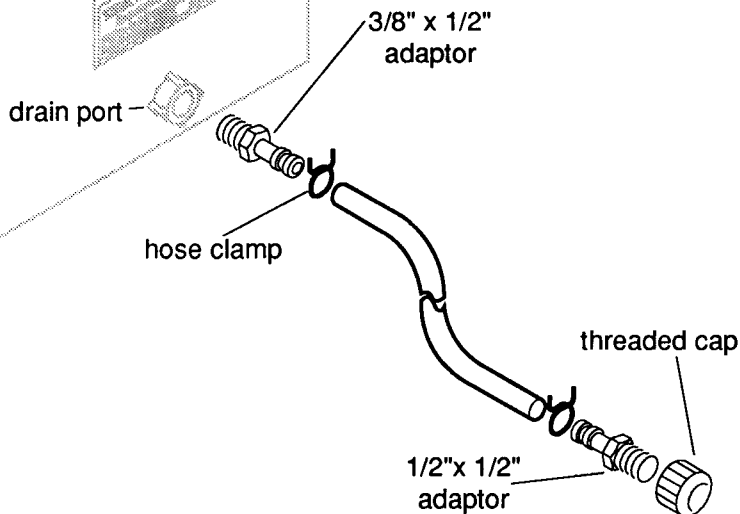
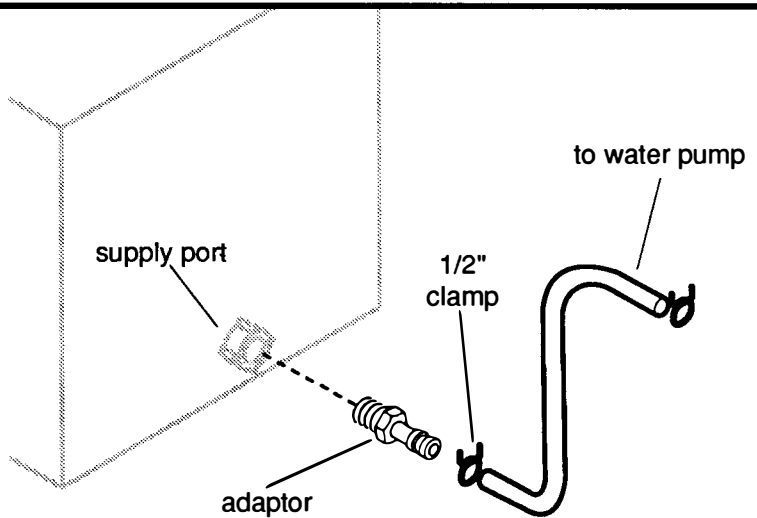
Screw adaptor into tank (supply port).

Secure tubing to adaptor with 1/2" hose clamp.

Route tube to vehicle water pump.

Cut off excess tubing(excess will be used for (drain line).

Secure tube to water pump with 1/2" hose clamp.



Screw adaptor into tank (drain port).

Secure excess tubing to adaptor with 1/2" hose clamp.

Secure large adaptor to tubing with 1/2" hose clamp.

Put cap on.

Take cap off to drain.