

banks

with Installation Instructions

Owner's Manual

Banks **Monster[®] Exhaust**

Jeep 4.0L I-6 models:
1991-95 Wrangler (YJ)
1997-06 Wrangler (TJ)
2004-06 Wrangler Unlimited

Jeep 2.5L I-4 models:
1997-03 Wrangler (TJ)

THIS MANUAL IS FOR USE WITH SYSTEMS 51311, 51312,
51313, 51314 & 51315

BANKS

General Installation Practices

1. For ease of installation of your Banks system, familiarize yourself with the procedure by reading the entire manual before starting work.

2. The exploded view (**Figure 1**) provides only general guidance. Refer to each step and section diagram in this manual for proper instruction.

3. Throughout this manual, the left side of the vehicle refers to the driver's side, and the right side to the passenger's side.

4. Disconnect the ground cable from the battery (or batteries, if there are two) before beginning work.

5. Route and tie wires and hoses a minimum of 6" away from exhaust heat, moving parts and sharp edges. Clearance of 8" or more is recommended where possible.

6. When raising the vehicle, support it on properly weight-rated safety stands, ramps or a commercial hoist. Follow the manufacturer's safety precautions. Take care to balance the vehicle to prevent it from slipping or falling. When using ramps, be sure the front wheels

are centered squarely on the topsides; put the transmission in park; set the hand brake; and place blocks behind the rear wheels.

CAUTION! Do not use floor jacks to support the vehicle while working under it. Do not raise the vehicle onto concrete blocks, masonry or any other item not intended specifically for this use.

7. During installation, keep the work area clean. Do not allow anything to be dropped into intake, exhaust, or lubrication system components while performing the installation, as foreign objects will cause immediate engine damage upon start-up.

Tools Required:

- 1/4" and 3/8" drive ratchets with inch and metric sockets and 1/4" and 3/8" drive extension
- Inch and metric combination or open-end wrenches
- Standard screwdriver
- Standard and needle-nose pliers
- Clean shop towels or rags

Highly recommended tools and supplies:

- Inch-pound and foot-pound torque wrenches
- Compressed air source and hose
- Air pressure regulator
- Penetrating oil or light lubricant spray
- Reciprocating saw

Products available from Banks Power for the Jeep 2.5/4.0L



Banks AutoMind® Programmer 4.0L (P/N 66120)

- Gas and diesel all-in-one tuner/scan tool. Calibrates fuel delivery to Banks' airflow improvements for instant power. Displays engine functions; diagnostic capabilities; upgradeable functionality.

Banks iQ® System (P/N 61201)

- 5" touchscreen interface
- Interchangeable gauge display, read and clear codes, monitor engine diagnostics, log data, time your vehicles runs and much more.

Torque Tubes®

2.5L (P/N 51316)

2000-2006 4.0L (P/N 51306)

Revolver® Exhaust Manifold

1991-1999 (P/N 51327)

- Virtually indestructible
- Each Torque Tube and Revolver has a seamless high-velocity collector.
- Literally "pulls" out the exhaust, unleashing greater torque and helping the intake stroke to draw in more air.

Banks Ram-Air Intake System 1999-2006 4.0L (P/N 41816)

- Increases your airflow over stock.
- Adds power, improves fuel economy, lowers EGTs and reduces smoke.

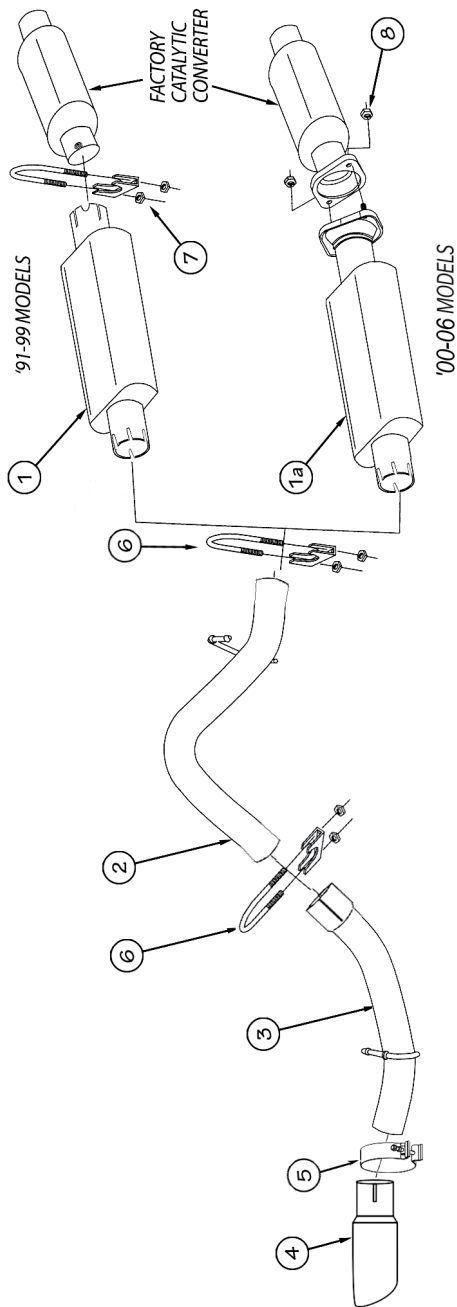
Banks Stinger System 4.0L (P/N 51330, 51332, 51334, 51336) Contents:

- Ram-Air Intake
- Monster Exhaust
- AutoMind Programmer

Banks PowerPack System 4.0L (P/N 51331, 51333, 51335, 51337) Contents:

- Ram-Air Intake
- Monster Exhaust
- Torque Tubes
- AutoMind Programmer

Figure 1 (General Assembly)



- Component**
- # 1 Assembly, Monster Muffler ('91-99 models only)
 - 1a Assembly, Monster Muffler ('00-06 models only)
 - 2 Pipe, 2 1/2" Tailpipe, Front
 - 3 Pipe, 2 1/2" Tailpipe, Rear
 - 4 Tailpipe Tip, Chrome or Black
 - 5 Band Clamp, 2 1/2"
 - 6 Clamp, 2 1/2"
 - 7 Clamp, 2 1/4" ('91-99 models only)
 - 8 (2) Nuts, serrated 10-1.50 ('00-06 models only)

Installation Instructions

1. Raise the vehicle on a hoist or safety stands to provide access to the exhaust system.

2. For 2000-05 models, remove the 10-mm hardware from the catalytic converter and muffler connection. For all other models, loosen and remove the clamp that connects the factory muffler to the catalytic converter. An oxyacetylene torch may be useful at the muffler and catalytic converter connection. (If applicable, be sure to remove the O₂ sensor on the catalytic converter before operating the torch.)

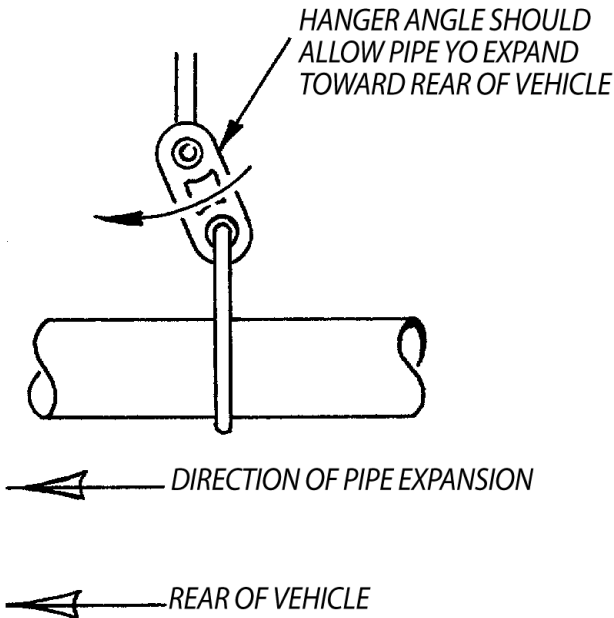
3. Remove the hanger pins from the rubber hangers at the rear of the tailpipe. (Spray lubricant will ease hanger removal.) Remove the muffler and tailpipe from vehicle. Cutting the tailpipe may ease the removal process.

4. Install the Banks Monster muffler onto the catalytic converter. Be sure

the exhaust inlet is facing towards the catalytic converter. For 2000-05 models, loosely install the supplied 10-mm hardware onto the catalytic converter and muffler studs. For all other models, position the muffler so that it is straight and level with the vehicle. Loosely install the supplied 2¹/₄" clamp onto the muffler and catalytic converter connection (see Figure 1).

5. Install a supplied 2¹/₂" clamp onto the muffler outlet. Install the front tailpipe over the rear axle housing into the outlet of the muffler. Connect the front tailpipe hanger pins to the factory rubber hangers. Loosely tighten the 2¹/₂" clamp on the muffler outlet. Install a supplied 2¹/₂" clamp onto the front tailpipe outlet. Install the rear tailpipe inlet into the front tailpipe outlet. Connect the rear tailpipe hanger pins to the factory rubber hangers. Loosely tighten the supplied 2¹/₂" clamp

Figure 2



in between the rear and front tailpipe pieces.

6. Install the supplied 2½" band clamp about a ½ " on the rear of the tailpipe tip (so that clamp rests on the rear tailpipe cutouts). Slip the 2½" polished tailpipe tip over the rear tailpipe. The tailpipe tip should be completely pressed onto the rear tailpipe.

7. Position all the exhaust components such that all the hanger pins are parallel with the frame pins and all exhaust tubing is located properly. Lightly tighten clamps to maintain position. The tailpipe tip should be position 1-2" below the bottom edge of the vehicle body. All hangers should be hanging slightly forward to allow for heat expansion of the exhaust tubing (**see Figure 2**).

8. With everything positioned properly, torque the 10-mm hardware (**on 2000-05 models**) and clamps to 25-30 ft-lbs.

9. Reconnect the battery. Start the vehicle and listen for exhaust leaks. Tighten the clamps as necessary. Whenever possible, tack-welding slip

connections to prevent disengagement is recommended.

NOTE: The vehicle exhaust may smoke upon initial start-up. This is normal, as grease used in the tube bending process burns off the pipes.

10. Your Banks Monster Exhaust system contains two (2) Banks Power decals. For a clean factory look, it is recommended that the decals are placed above the "4.0L" emblem on the passenger and driver side front fenders.

Parts List, Banks Exhaust Systems

P/N	Description	Qty
51315	2004-06 Jeep Wrangler Unlimited (4.0L)	
52638	Muffler, Banks Monster	(1)
52744	Tailpipe, Front	(1)
52745	Tailpipe, Rear	(1)
52700/52701		
	Tailpipe Tip, Chrome/Black	(1)
52462	Band-Clamp, Exhaust 2 1/2"	(1)
52461	Clamp Exhaust 2 1/2"	(2)
91805	Nut, 10mm-1.5 Serrated	(2)
96399	Product Registration Card	(1)
96009	Decal, Banks Power	(2)

51314	2004-06 Jeep Wrangler (4.0L)	
52638	Muffler, Banks Monster	(1)
52742	Tailpipe, Front	(1)
52745	Tailpipe, Rear	(1)
52700/52701		
	Tailpipe Tip, Chrome/Black	(1)
52462	Band-Clamp, Exhaust 2 1/2"	(1)
52461	Clamp Exhaust 2 1/2"	(2)
91805	Nut, 10mm-1.5 Serrated	(2)
96399	Product Registration Card	(1)
96009	Decal, Banks Power	(2)

51313	2000-03 Jeep Wrangler (2.5-4.0L)	
52637	Muffler, Banks Monster	(1)
52742	Tailpipe, Front	(1)
52745	Tailpipe, Rear	(1)
52700/52701		
	Tailpipe Tip, Chrome/Black	(1)
52462	Band-Clamp, Exhaust 2 1/2"	(1)
52461	Clamp Exhaust 2 1/2"	(2)
91805	Nut, 10mm-1.5 Serrated	(2)
96399	Product Registration Card	(1)
96009	Decal, Banks Power	(2)

P/N	Description	Qty
51312	1997-99 Jeep Wrangler (2.5-4.0L)	
52636	Muffler, Banks Monster	(1)
52740	Tailpipe, Front	(1)
52745	Tailpipe, Rear	(1)
52700/52701		
	Tailpipe Tip, Chrome/Black	(1)
52461	Clamp, Exhaust 2 1/2"	(2)
52462	Band-Clamp, Exhaust 2 1/2"	(1)
52460	Clamp, Exhaust 2 1/4"	(1)
96399	Product Registration Card	(1)
96009	Decal, Banks Power	(2)

51311	1991-95 Jeep Wrangler (4.0L)	
52636	Muffler, Banks Monster	(1)
52622	Tailpipe, Front	(1)
52623	Tailpipe, Rear	(1)
52700/52701		
	Tailpipe Tip, Chrome/Black	(1)
52461	Clamp, Exhaust 2 1/2"	(2)
52462	Band-Clamp, Exhaust 2 1/2"	(1)
52460	Clamp, Exhaust 2 1/4"	(1)
96399	Product Registration Card	(1)
96009	Decal, Banks Power	(2)