

banks

with Installation Instructions
Owner's Manual

Banks Monster® Exhaust System

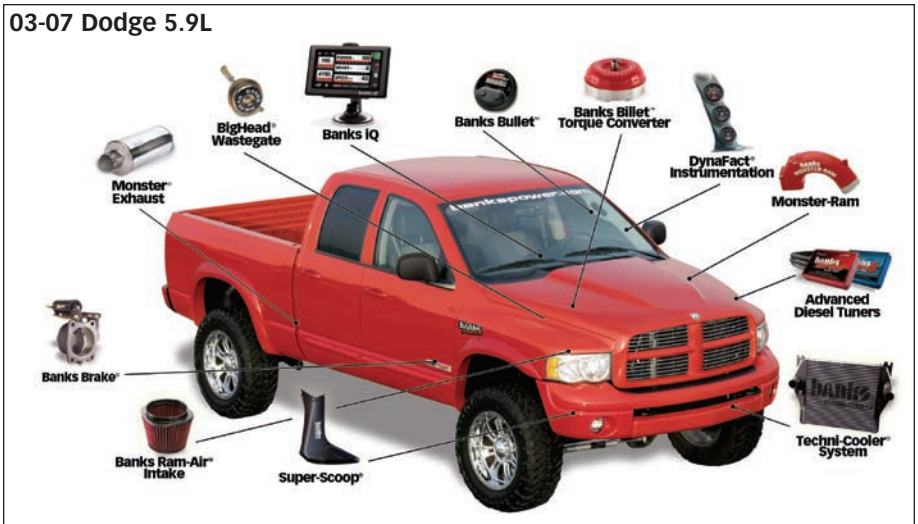
**2004-2007 Dodge 5.9L HO Cummins
(325 HP, 600 FT-lbs) ISB Pickup Trucks
Including Mega Cab**

THIS MANUAL IS FOR USE WITH
MONSTER EXHAUST, SYSTEMS 48700, 48701, 48708

banks

Products available from Banks Power for the 2003-2007 Dodge 5.9L

03-07 Dodge 5.9L



Banks IQ System (P/N 61148-61149)

- 5" touchscreen interface that can control the Banks Diesel Tuner on the fly.
- Interchangeable gauge display, read and clear codes, monitor engine diagnostics, log data, time your vehicles runs and much more.

Banks Ram-Air Intake System (P/N 42145)

- Increases your airflow over stock.
- Adds power, improves fuel economy, lowers EGTs and reduces smoke.

Banks Ram-Air Intake Super-Scoop (P/N 42190-42191)

- Adds cooler denser air to the Ram-Air Intake housing, further increasing fuel economy, reducing smoke and lowers EGTs.

Banks Monster-Ram (P/N 42765-42766)

- Increased flow from intercooler
- Raises boost without increasing backpressure at the turbine

Big Hoss Intake Manifold System (P/N 42747)

- Increases flow and provides more uniform air distribution to the engine for more available power at a given boost level.

Banks Techni-Cooler® System (P/N 25980-25981)

- Provides increased air flow to the engine by increasing air density for more increased power, lower EGTs and improved fuel economy.

Banks Exhaust Brake (P/N 55222-55229)

- Increases the stopping power of your truck and extends the service life of your brakes

Banks SmartLock (P/N 55270)

- Reduces wear on transmission
- Locks Torque Converter and raises trans-line pressure
- Works with Banks Exhaust Brake

Banks Billet Torque Converter (P/N 72515)

- Higher torque capacity over stock
- Lockup clutch is slip-resistant so transmission fluids stay cooler and transmission life is prolonged.

Banks Bullet (P/N 66522-66523)

- Adds power safely to your vehicle
- Displays critical engine functions
- Engine safeguards
- Change power levels on-the-fly

Boost and Pyro Gauges (P/N 64507)

- Keep your engine safe by monitoring vital engine parameters.

Banks Diesel Tuner EconoMind w/switch (P/N 63725, 63793, 63795, 64507) EconoMind w/iQ (P/N 63807, 63808, 63817, 63818)

Six-Gun w/switch (P/N 61022, 63797) Six-Gun w/iQ (P/N 63809, 63819)

- Adds power safely to your vehicle
- Engine and transmission safeguards
- Change power levels on-the-fly

Thermocouple

- Add a temperature limiting function to your Diesel Tuner .

Banks Speed-Loader (P/N 62981)

- Furthers the power output of the Banks Six-Gun and provides EGT limiting safety.

Banks BigHead® Actuator (P/N 24331)

- Achieves a higher peak boost over stock and gives you precise boost control that gives you crisp acceleration and more mid-range pulling power.

Banks Stinger Systems (P/N 49692-49699, 49708-49711, 49716-49721)

Contains:

- Ram-Air Intake system
- Monster Exhaust (single or dual)
- EconoMind Tuner w/ Banks iQ
- Big Head Wastegate Actuator

Banks PowerPack Systems (P/N 49700-49707, 49712-49715, 49722-49727)

Contains:

- Ram-Air Intake system
- Monster Exhaust (single or dual)
- EconoMind Tuner w/ Banks iQ
- Big Head Wastegate Actuator
- Monster-Ram
- Techni-Cooler System

Banks Six-Gun Bundle (P/N 49728-49735, 49744-49747, 49752-49757)

Contains:

- Ram-Air Intake system
- Monster Exhaust (single or dual)
- Six-Gun Tuner w/ Banks iQ
- Big Head Wastegate Actuator

Banks Big Hoss Bundle (P/N 49736-49743, 49748-49751, 49758-49763)

Contains:

- Ram-Air Intake system
- Monster Exhaust (single or dual)
- Six-Gun Tuner w/ Banks iQ
- Big Head Wastegate Actuator
- Monster-Ram
- Techni-Cooler System

General Installation Practices

1. For ease of installation of your Banks system, familiarize yourself with the procedure by reading the entire manual before starting work.

2. The general assembly diagram (**Figure 1**) provides only general guidance. Refer to each step and section diagram in this manual for proper instruction.

3. Throughout this manual, the left side of the vehicle refers to the driver's side, and the right side to the passenger's side.

4. Disconnect the ground cable from the battery (or batteries, if there are two) before beginning work.

5. Route and tie wires and hoses a minimum of 6" away from exhaust heat, moving parts and sharp edges. Clearance of 8" or more is recommended where possible.

6. When raising the vehicle, support it on properly weight-rated safety stands, ramps or a commercial hoist. Follow the manufacturer's safety precautions. Take care to balance the vehicle to prevent it from slipping or

falling. When using ramps, be sure the front wheels are centered squarely on the topsides; put the transmission in park; set the hand brake; and place blocks behind the rear wheels.

Caution! Do not use floor jacks to support the vehicle while working under it. Do not raise the vehicle onto concrete blocks, masonry or any other item not intended specifically for this use.

7. During installation, keep the work area clean. Do not allow anything to be dropped into intake, exhaust, or lubrication system components while performing the installation, as foreign objects will cause immediate engine damage upon start-up.

Tools Required:

- 1/2" and 3/8" drive ratchets with inch and metric sockets and 1/2" and 3/8" drive extension
- Inch and metric combination or open-end wrenches
- Standard screwdriver
- Clean shop towels or rags
- Pry-bar

Highly recommended tools and supplies:

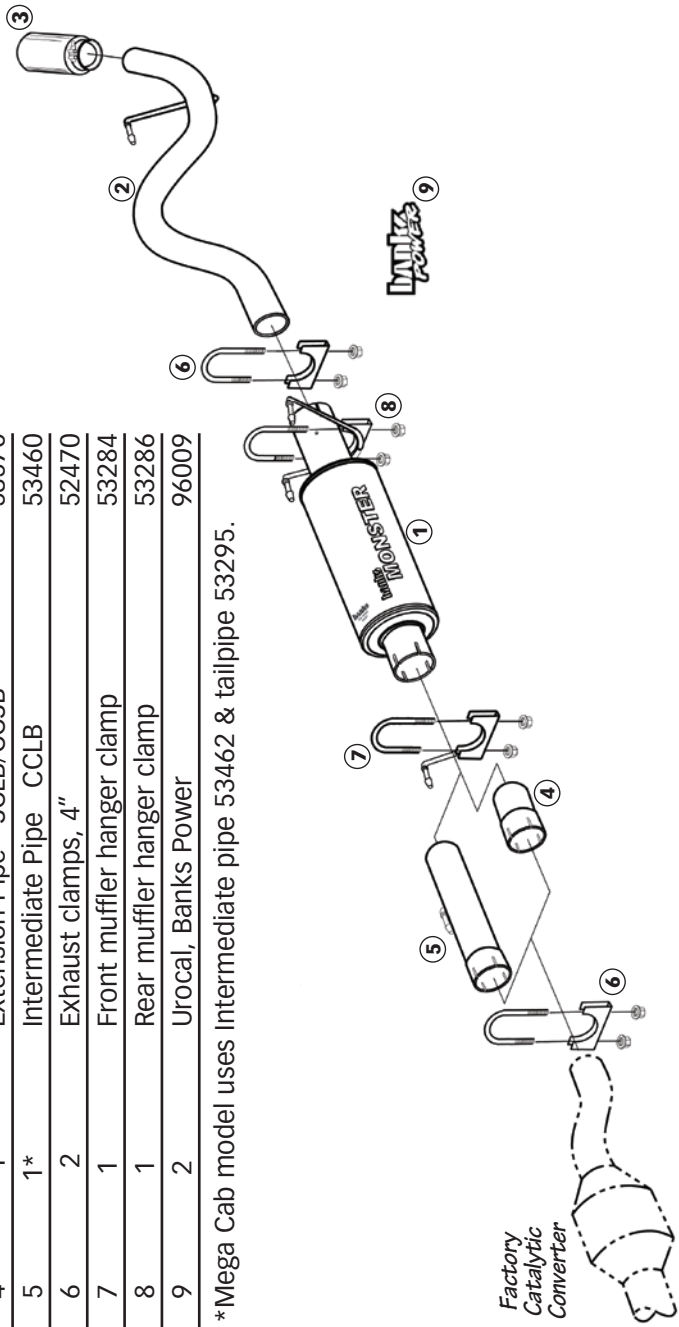
- Inch-pound and foot-pound torque wrenches
- oxy-acetylene torch
- Penetrating oil or light lubricant spray

General Assembly Diagram

Figure 1

Item	Qty.	Description	P/N
1	1	Muffler Assy	53801
2	1*	Tailpipe	53275
3	1	Tailpipe Tip, 5" Dual Wall	52383
4	1	Extension Pipe SCLB/CCSB	53570
5	1*	Intermediate Pipe CCLB	53460
6	2	Exhaust clamps, 4"	52470
7	1	Front muffler hanger clamp	53284
8	1	Rear muffler hanger clamp	53286
9	2	Urocal, Banks Power	96009

*Mega Cab model uses Intermediate pipe 53462 & tailpipe 53295.



Monster Exhaust System Installation

1. As a precaution, disconnect the ground of the battery (if there is more than one battery, disconnect both).

2. Raise the vehicle and support it with properly weight rated safety stands, ramps or a commercial hoist. Follow the manufacturer's safety precautions. Take care to balance the vehicle to prevent it from slipping or falling. When using ramps, be sure the front wheels are centered squarely on the topsides; place the transmission in park; set the parking brake and place blocks behind the rear wheels.

CAUTION: DO NOT WORK UNDER ANY VEHICLE SUPPORTED ONLY BY A JACK. SEVERE INJURY MAY RESULT.

WARNING! The following step may require the use of a torch and/or saw. Proper safety equipment should be used. Failure to use proper safety equipment may result in severe injury.

3. Starting at the rear of the vehicle, remove the tailpipe near the muffler clamps by cutting through the connection or by removing the clamps and heating the joints with an oxy-acetylene torch to allow crimped pipes to separate. Remove the tailpipe from the vehicle.

4. Remove the clamps on the catalytic converter to front muffler or if applicable, the intermediate pipe connection. **TAKE CAUTION TO NOT CUT OR DAMAGE CATALYTIC CONVERTER TUBING DURING THE REMOVAL PROCESS.** Separate the muffler/ intermediate pipe to catalytic converter connection.

NOTE: The use of an oxy-acetylene torch may be necessary. Remove the muffler hanger pins from the rubber hangers with a pry bar (Spray lubricant will ease hanger removal) and remove

the muffler/intermediate pipe or muffler assembly from the vehicle.

IMPORTANT: If the vehicle is equipped with a catalytic converter, it should be inspected. Diesel catalyts may become plugged with soot and can cause a restriction to exhaust flow, impeding performance. Shine a powerful flashlight into the inlet end of the converter. Observe the light through the other end of the converter. The full circle of the flashlight should be visible without any blockage in the grid work of the catalyst. If excessive soot is observed, the catalyst may need to be cleaned. TAKE PRECAUTIONS to avoid blowing soot toward the work area or where it could be inhaled. ALWAYS use breathing protection. Also inspect the catalyst for damage (i.e. chips, bent corners, etc.) to the grid work. If your catalytic converter is damaged, it may be covered under your vehicle's emissions warranty.

5. For Crew Cab Long Bed & Mega Cab models (160.5" wheelbase) **ONLY**, install a 4" exhaust clamp onto the front of the Banks intermediate pipe. Install the intermediate pipe onto the catalytic converter outlet. Install the intermediate pipe hanger onto the corresponding rubber hanger. Loosely snug the 4" clamp.

6. For all other models, Install a 4" exhaust clamp onto the front of the Banks Extension pipe. Install the extension pipe onto the catalytic converter outlet. Loosely snug the 4" clamp.

7. Install the front muffler hanger clamp onto the Banks Monster Muffler inlet with the hanger pin facing the front of the vehicle. Install the Banks Monster Muffler (note the muffler inlet

labeling) onto the intermediate pipe/extension pipe. Install the front hanger pin into the corresponding rubber hanger (see **Figure 2**). With the muffler inlet fully inserted, loosely tighten the hanger clamp on the muffler inlet swedge.

8. Install the rear hanger clamp onto the muffler outlet with the hanger pins facing the muffler. Also install a 4" exhaust clamp on the muffler outlet. Insert the two (2) hanger pins into the rear rubber hangers and adjust the hanger clamp to a position that best supports the muffler. (see **Figure 2**).

9. Route the tailpipe over the rear axle housing and into the muffler outlet. Install the tailpipe hanger pin into the corresponding rubber hanger. Loosely snug the 4" clamp on the muffler outlet.

10. Install the 5" Monster tailpipe tip on the exhaust. Keep the wrapping on until installation is complete. The tip should be rotated so the drain

hole is facing down. Adjust the tip past the edge of the body or where aesthetically pleasing.

11. With everything positioned properly, begin to tighten the clamps starting with the ones closest to the turbo and working your way back. Evenly torque the exhaust clamps to 35 ft-lbs. Make sure that each slip is fully inserted (+/- 1/4 inch).

12. Remove the protective covering from the tailpipe tip.

CAUTION: The protective covering may ignite and burn if not removed prior to running the engine.

13. Your system includes two (2) Banks power logos. The logos can be mounted 1/2" to 1" above the "Cummins Turbo Diesel" emblem on the driver-side and passenger-side front fenders.

14. Re-connect battery terminals if previously removed. Banks Monster Exhaust installation is now complete.

