

banks

with Installation Instructions
Owner's Manual

Banks Monster® Exhaust System

**2011 Chevy/GMC 6.6L LML Duramax
ECSB, ECLB, CCSB & CCLB including
Dually models Turbo-Diesel Pickups**

**2012 Chevy/GMC 6.6L LML Duramax
ECSB, ECLB & CCSB (6.5ft bed)
Turbo-Diesel Pickups**

THIS MANUAL IS FOR USE WITH SYSTEM 47786

banks

General Installation Practices

1. Before starting work, familiarize yourself with the installation procedure by reading all of the instructions.
2. The exploded view (**Figure 1**) provides only general guidance. Refer to each step and section diagram in this manual for proper instruction.
3. Throughout this manual, the left side of the vehicle refers to the driver's side, and the right side to the passenger's side.
4. Disconnect the negative (ground) cable from the battery (or batteries, if there are two) before beginning work.
5. Route and tie wires and hoses a minimum of 6" away from exhaust heat, moving parts and sharp edges. Clearance of 8" or more is recommended where possible.
6. When raising the vehicle, support it on properly weight-rated safety stands, ramps or a commercial hoist. Follow the manufacturer's safety precautions. Take care to balance the vehicle to prevent it from slipping or

falling. When using ramps, be sure the front wheels are centered squarely on the topsides; put the transmission in park; set the hand brake; and place blocks behind the rear wheels.

CAUTION! Do not use floor jacks to support the vehicle while working under it. Do not raise the vehicle onto concrete blocks, masonry or any other item not intended specifically for this use.

7. During installation, keep the work area clean. Do not allow anything to be dropped into intake, exhaust, or lubrication system components while performing the installation, as foreign objects will cause immediate engine damage upon start-up.

Tools Required:

- 1/2" and 3/8" drive ratchets with standard and metric sockets and 1/2" and 3/8" drive extension
- Standard and metric combination or open-end wrenches
- Standard screwdriver
- Clean shop towels or rags
- Pry-bar
- Reciprocating saw

Highly recommended tools and supplies:

- Foot-pound torque wrench
- Penetrating oil or light lubricant spray
- Oxy-acetylene torch

Products available from Banks Power for the 2011-2012 Chevy/GMC Duramax 6.6L

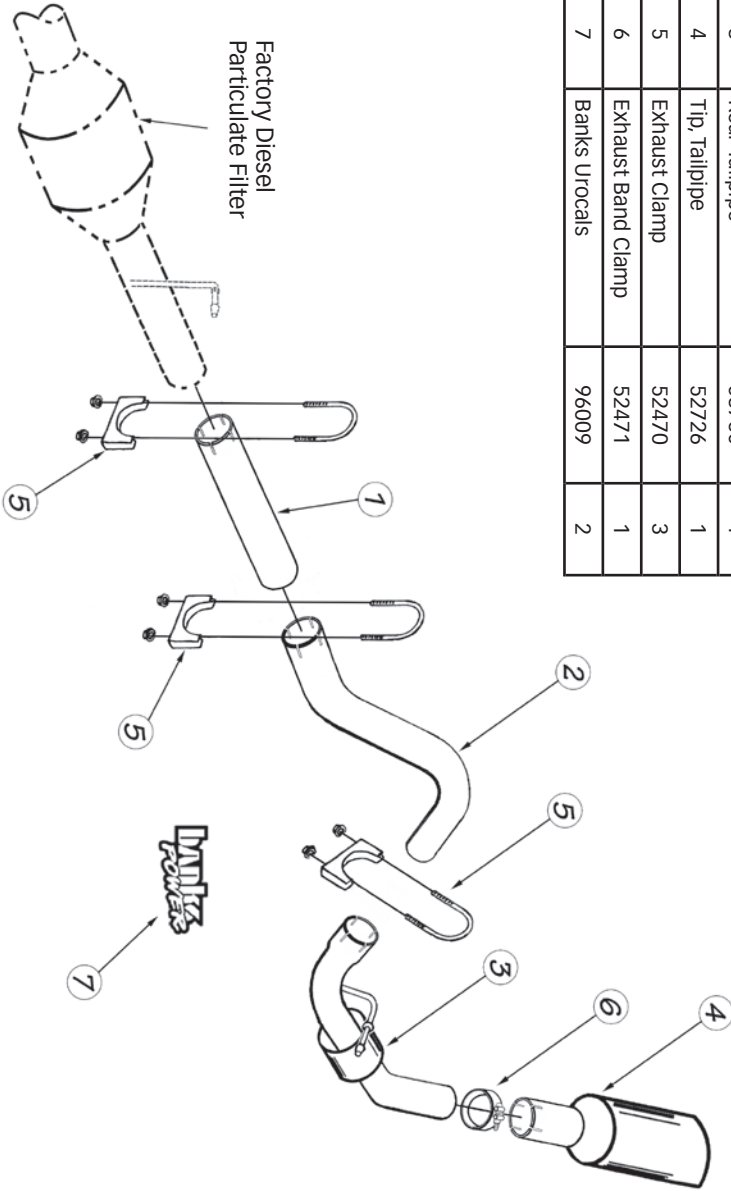


**Banks Ram-Air®
Intake System**

Banks Ram-Air Intake System (P/N 42220)

- Increases your airflow over stock.
- Adds power, improves fuel economy, lowers EGTs and reduces smoke.

Figure 1 Banks Monster Exhaust, General Assembly



Item #	Description	Part #	QTY
1	Intermediate Pipe	53759	1
2	Front Tailpipe	53758	1
3	Rear Tailpipe	53760	1
4	Tip, Tailpipe	52726	1
5	Exhaust Clamp	52470	3
6	Exhaust Band Clamp	52471	1
7	Banks Urocalcs	96009	2

Monster Exhaust System Installation

1. As a precaution, disconnect the ground of the battery (if there is more than one battery, disconnect both).

2. Raise the vehicle and support it with properly weight rated safety stands, ramps or a commercial hoist. Follow the manufacturer's safety precautions. Take care to balance the vehicle to prevent it from slipping or falling. When using ramps, be sure the front wheels are centered squarely on the topsides; place the transmission in park; set the parking brake and place blocks behind the rear wheels.

CAUTION: DO NOT WORK UNDER ANY VEHICLE SUPPORTED ONLY BY A JACK. SEVERE INJURY MAY RESULT.

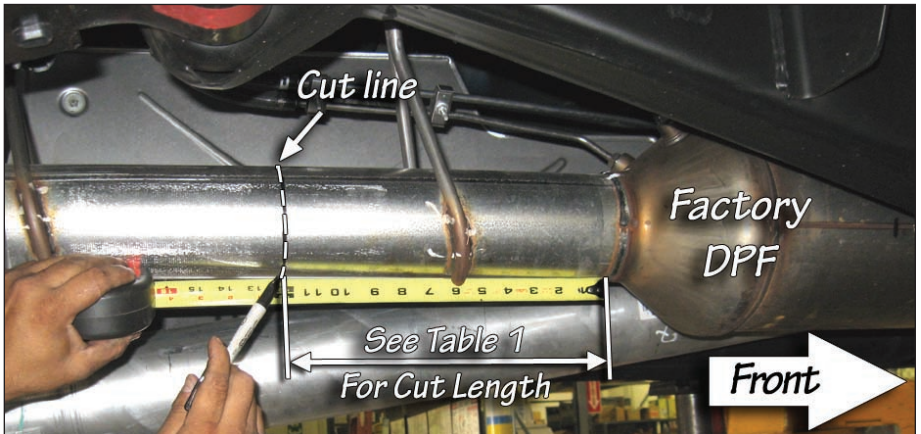
WARNING! The following step may require the use of a torch and/or saw. Proper safety equipment should be used. Failure to use proper safety equipment may result in severe injury.

3. The factory exhaust pipe will be cut behind the Factory Diesel Particulate Filter (DPF) based on the configuration of your vehicle. See **Table 1**. Measure from the welded seam on the rear of the DPF to the back of the vehicle. See **Figure 2**. Take time when measuring and cutting the factory pipe to ensure the proper location and a straight cut. Improper cut will result in poor fitment of the Banks Monster exhaust system.

Table 1

2011 CHEVY/GMC 6.6L DURAMAX LML		
Vehicle Configuration	Wheel Base 2011	Measure behind DPF to the back of the vehicle. Cut Exhaust pipe at Cut line. See Figure 2 .
Extend Cab Standard Bed	144"	7"
Extend Cab Long Bed	158"	18"
Crew Cab Short Bed	153"	12"
Crew Cab Long Bed	168"	26.5"
Crew Cab Long Bed Dually	168"	26.5"
2012 CHEVY/GMC 6.6L DURAMAX LML		
Vehicle Configuration	Wheel Base 2012	Measure behind DPF to the back of the vehicle. Cut Exhaust pipe at Cut line. See Figure 2 .
Extend Cab Standard Bed	144"	7"
Extend Cab Long Bed	158"	18"
Crew Cab Short Bed	153"	12"

Figure 2



4. Remove the factory tailpipe from the vehicle by disengaging the exhaust system hanger pins from the rubber hangers using a large screw-driver or pry bar.

NOTE: Lubricating the rubber hangers with WD-40 or similar lubricant will ease removal of the hanger pins.

5. For Extended Cab Standard Bed (6.5ft) models ONLY, cut 3" from the rear of Banks intermediate pipe as shown in **Figure 3**.

6. Install a 4" exhaust clamp onto the front of the Banks intermediate pipe. Install the intermediate pipe onto the cut factory pipe. Loosely snug the 4" clamp.

7. Slide a 4" exhaust clamp onto the front of the Banks front tailpipe.

8. Route the Front Tailpipe over the rear axle housing and install onto the intermediate pipe outlet. Be sure that the two pipes are completely engaged. Loosely snug the 4" exhaust clamp.

9. Install a 4" exhaust clamp onto the inlet of the Rear Tailpipe. Install the Rear Tailpipe onto the outlet of the Front Tailpipe. Insert the Rear Tailpipe

hanger pin into the factory rubber hanger. Rotate the tailpipe until the hanger pin is parallel with the frame mounted pin. Slide the 4" clamp and position as shown in **Figure 4**. Loosely snug the 4" clamp.

NOTE: Maintain an adequate air gap clearance of one (1) inch between the exhaust and the shock absorber and between the exhaust and the spare tire.

10. Install Banks Monster tailpipe tip with exhaust band clamp on the exhaust. Keep the wrapping on until installation is complete. Adjust the tip past the edge of the body or where aesthetically pleasing. Loosely snug the 4" clamp.

NOTE: Minimum distance between exhaust tip and body is one (1) inch.

11. Adjust each of the pipes to ensure that all of the hanger pins are parallel with the frame mounted pins and that the rubber hangers are all positioned slightly forward (See **Figure 5**). The amount of forward angle on the rubber hangers should increase the farther downstream the hanger is positioned. This allows the hangers to be properly positioned once the exhaust system reaches operating temperature.

Figure 3 For Extended Cab Standard Bed Models ONLY

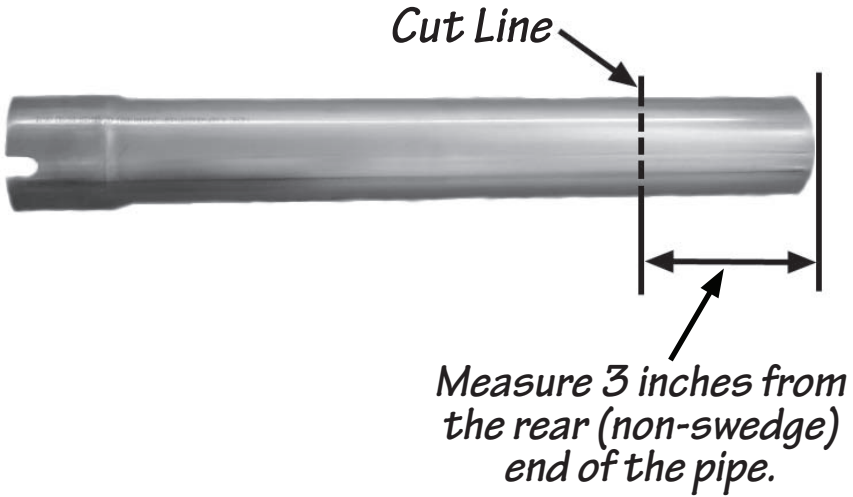


Figure 4

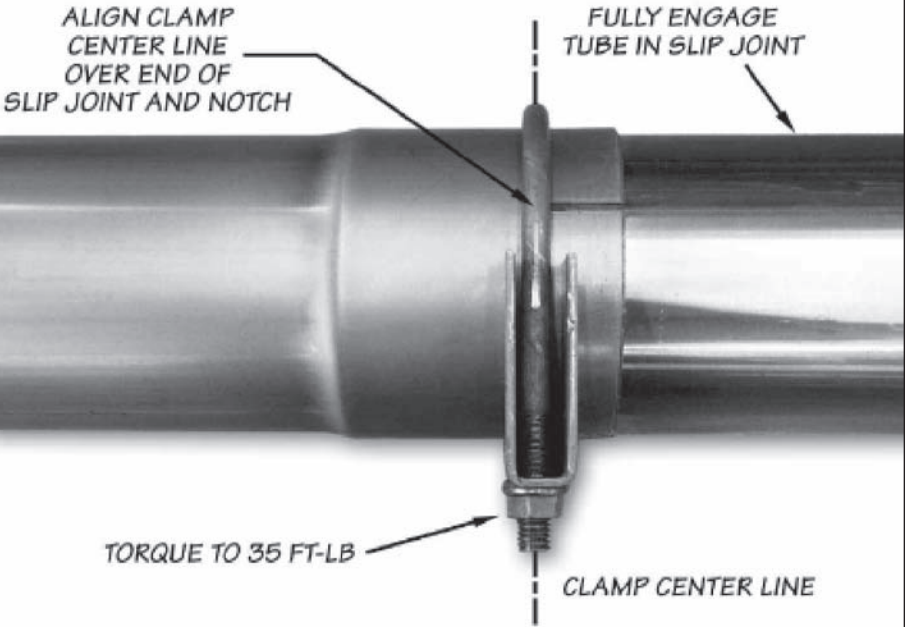
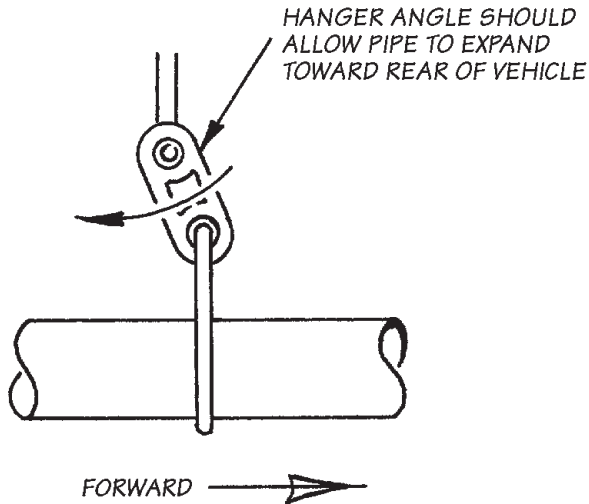


Figure 5



12. Figure 4 illustrates the proper location of an exhaust clamp on a tubing joint. Torque the nuts on each of the exhaust clamps to 35 ft-lb.

NOTE: The clamps only need to be tight enough to form a seal and hold the pipes together. Over tightening the clamps may cause the system to leak due to the pipe being crimped.

13. Remove the protective covering from the tailpipe tip.

CAUTION: The protective covering may ignite and burn if not removed prior to running the engine.

14. Your system includes two (2) Banks Power decals designed to complement the Duramax emblems on the vehicle's front doors.

15. Re-connect the negative battery cable. Start the engine and listen for exhaust leaks. Tighten the exhaust clamps as necessary. Whenever possible, tack weld slip connections to prevent disengagement is recommended. The Banks Monster Exhaust installation is now complete.