

# CABIN AIR FILTER

**BALDWIN**

**FILTERS**

## IDENTIFICATION / INSTALLATION

# CHRYSLER

# PA4409

**Dodge Sprinter;  
Freightliner Sprinter**



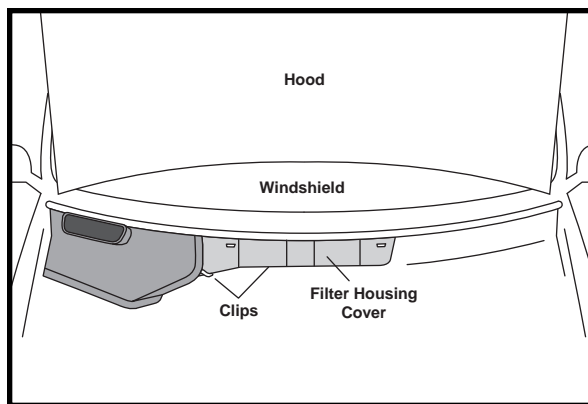
**OE:** 5103600AA

**Fits:** 2002-06 Dodge Sprinter, Freightliner Sprinter

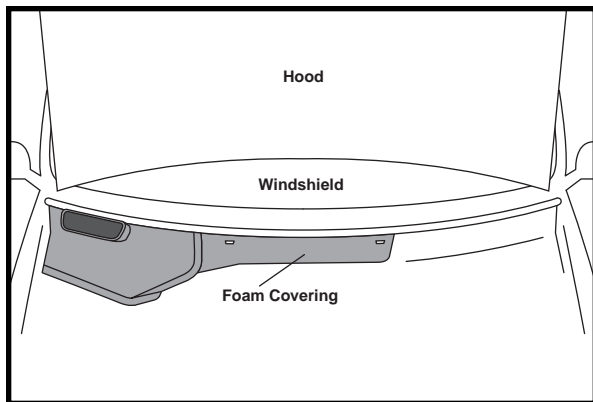
**Size:** 14 13/16 x 6 5/8 x 1 3/32  
(376.2 x 168.3 x 27.8)

**A. Gskt.:** [1] Attached

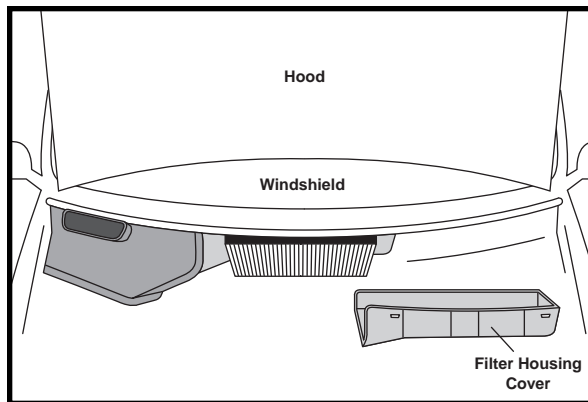
**Note:** Contains Charcoal Impregnated Media for Odor Control



3. Release clips in front and back of filter housing cover.
4. Slide filter housing cover to the right to remove.



1. Open hood.
2. Remove foam covering from filter housing cover.



5. Pull down filter to remove.
6. Replace filter and reassemble.