



baja designs[®]
The Scientists of Lighting

**Dodge Ram 2500/3500 (19-On)
Big Horn Fog Pocket Kit
44-8032, 44-8033, 44-8034, 44-8035**



Dodge 2500/3500 Squadron Fog Pocket kit

Tools Required

- 4mm Allen wrench
- 7mm Socket wrench
- Flathead screwdriver
- 10mm Socket wrench

1. Disconnect the main fog lamp circuit connector clipped near the top of the driver side fog lamp bracket:

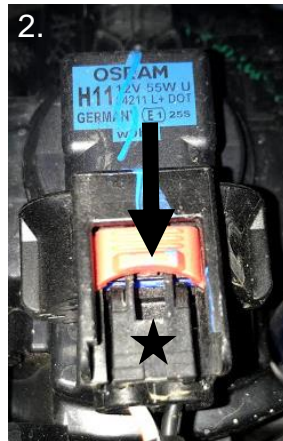


1a. Pull grey plug lock and unplug the connector.



1b. Pry the detent, then remove the other connector.

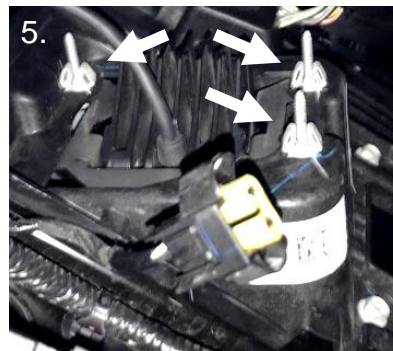
2. Pull down the red connector lock and squeeze detent (starred) to remove plug.



3. Remove 4 bolts with 10mm Socket wrench (Circled).
4. Remove the fog lamp. Repeat steps 2-3 for passenger side.

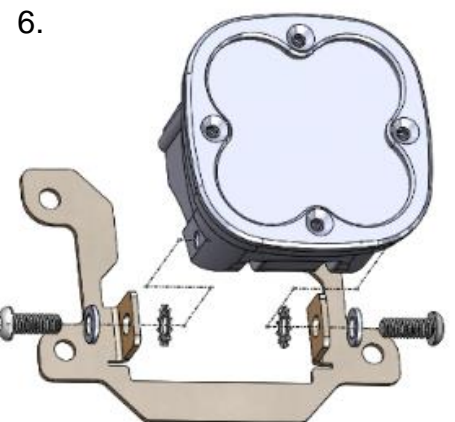


5. Remove the three fog lamp screws with the 7mm wrench. Repeat for the other side. **



** Image shows the screws from behind with fog bracket still installed.

6. Assemble the Squadron lights to the brackets with the provided hardware and 4mm Allen wrench.
7. Mount the new fog lamp assemblies into the OEM fog bracket with the three screws from step 5. Repeat for other side.
8. Mount the fog lamp assemblies into the vehicle with four bolts from step 3.
9. Connect H11 plug 'n play adapter to lights and OEM connections for both sides.



Re-torque all the fasteners after 100 miles.
Your install is now complete! Thank you for choosing Baja Designs.