



baja designs[®]
THE SCIENTISTS OF LIGHTING

Jeep JK A-Pillar Kit Instructions
44-7796, 44-7797, 44-7798, 44-7799, 44-7800



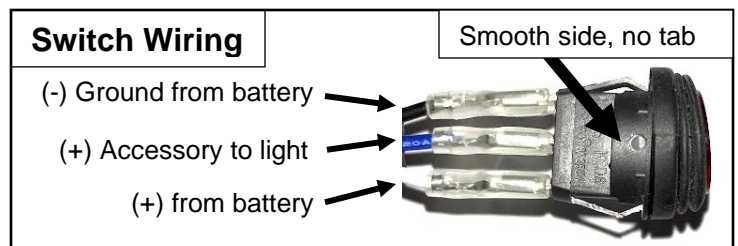
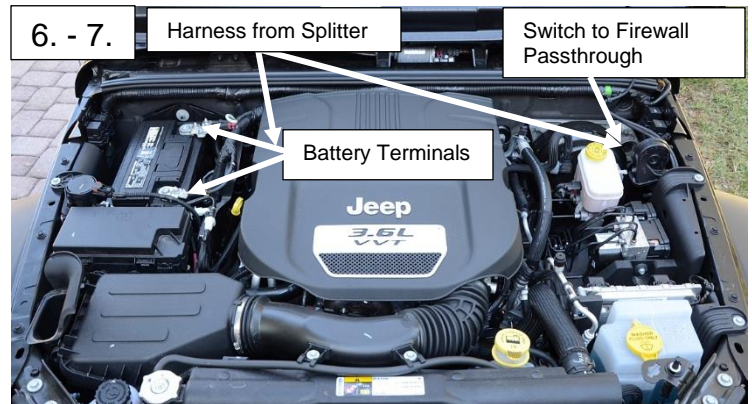
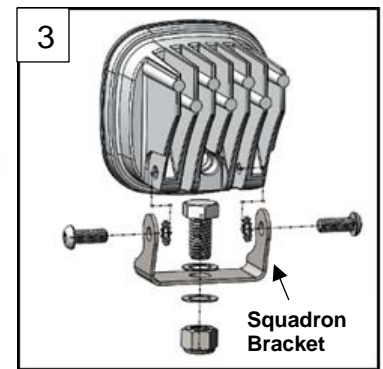
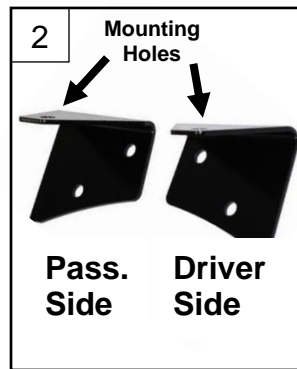
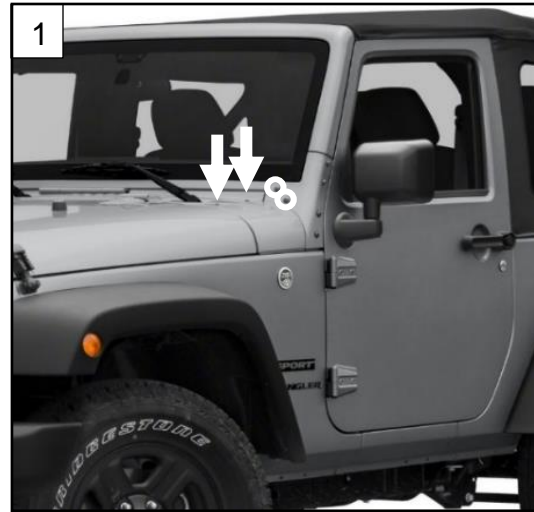
Jeep JK A-Pillar Kit Instructions

Tools Required

- T40 and T30 Torx Drivers
- 4mm Allen Wrench
- 9/16" Wrench and Socket
- 10mm Wrench

Directions:

1. With the T40 Torx driver, remove the two Driver side bolts circled on the right. With the T30 Torx driver, remove the two arrowed bolts on the wiper cowl panel.
2. Place the driver side bracket over the two holes from step one, thread in, and hand tighten the bolts. Anti-seize recommended. Repeat for the passenger side.
3. Assemble the Squadron lights with the provided hardware. Thread the 9/16" Hex head bolt through the Squadron bracket before mounting the light with the 4mm Allen head bolts. Be sure to place the serrated washers in between the Squadron bracket and the light housing.
4. Mount the Squadron lights to the mounting holes on the A-Pillar brackets and tighten with the 9/16" wrench and socket.
5. Lift the wiper cowl panel on each side to route the Squadron power cord inside the panel. Attach the splitter harness to the lights and then to the wiring harness near the battery. Tighten the four T30 Torx wiper cowl panel bolts from step 1.
6. Under the hood, route the switch lead of the harness across the firewall from the passenger side over to the driver side. Take a quick picture of the switch wiring to reference later. Pierce a hole through the firewall passthrough grommet, located on the driver side of the brake booster bracket. Remove wires from switch and route switch terminals through firewall. Mount the switch and reconnect the switch terminals.
7. With the 10mm wrench connect the harness to the battery terminals beginning with the (+) red terminal. Then attach the harness to the black (-) terminal. ***Do not use the nut closest to each post***
8. Turn on lights, aim, then tighten. Tie up wires away from all hot, rotating, and/or sharp components.



Re-torque fasteners after 100 miles.

Your installation is now complete, thank you for choosing Baja Designs!