



baja designs[®]
The Scientists of Lighting

Ford, Raptor 2017-2018 Fog Pocket Kits

“Sportsmen” 44-7564

“Pro” 44-7566

“Unlimited” 44-7567

“SAE” XX-XXXX





baja designs
The Scientists of Lighting

Instructions:

1. Locate bumper support rod underneath the vehicle. Loosen the inner bolt and remove the outer bolt holding the support rod. Once the outer bolt has been removed and the inner bolt is loose swing the support rod out of the way. (Figure 1)



FIGURE 1

2. Mount bracket in position shown in photo below using the two supplied bolts, four washers, two lock nuts and the factory bolt to secure bracket to vehicle. Tighten all bolts, adjust lights to preferred position, and then fasten lights.



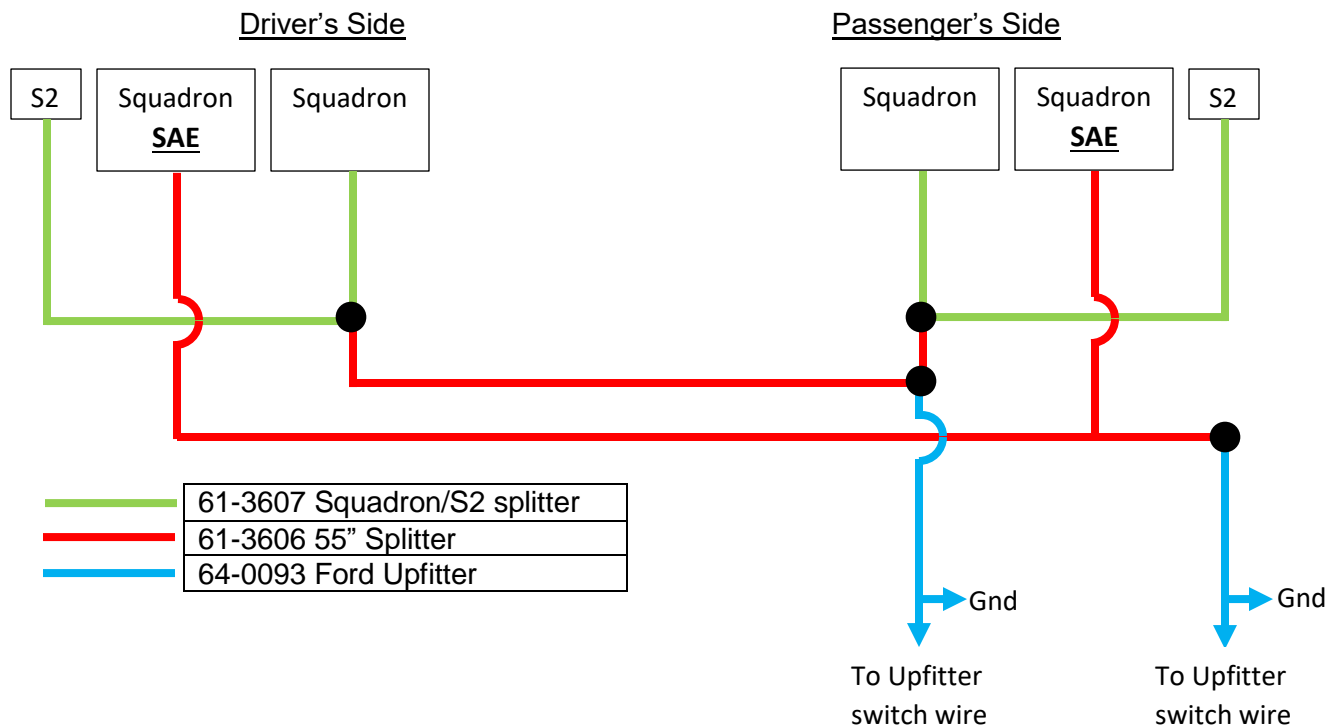
FIGURE 2



baja designs
The Scientists of Lighting

3. After both fog pocket kits and lights are installed, zip tie excess wiring to the support rod to keep wiring from being damaged. Attach harnesses along the frame rail beside the stock wiring harness or brake line.
4. Refer to the owner's manual for a 15amp auxiliary switch, and the appropriate wiring colors – **SEE NEXT PAGE**
5. Once you have determined the appropriate wire color, attach the white wire of the supplied up-fitter harness to your wire of choice by using the included splice connector. Then attach the black wire of the up-fitter harness to the battery/chassis ground.

Raptor *SAE* Fog Pocket Wiring Diagram



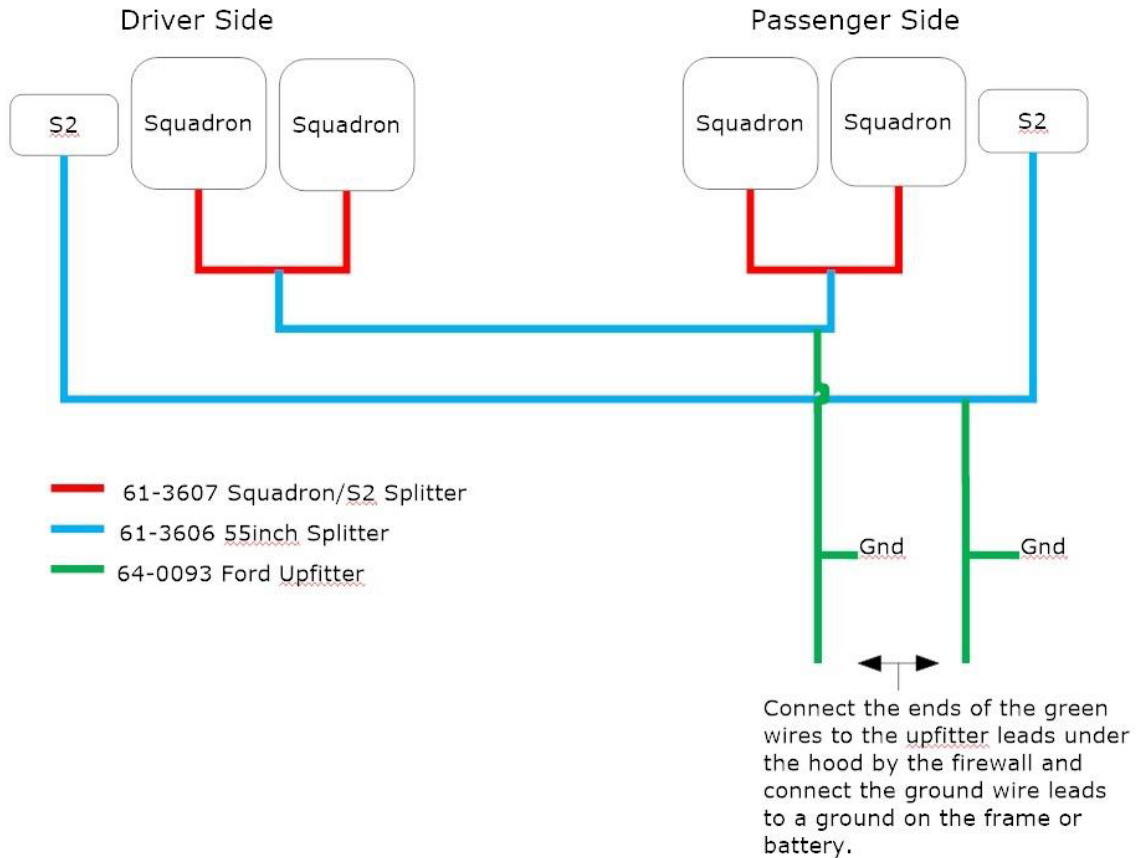
Connect each end to the desired AUX switches. Confirm that each AUX switch has the adequate amperage rating for the total combined amperage of the lights connected to it. The Ford upfitter wires are located on the passenger side firewall taped to the wires that pass through.

NOTE: There are two bundles of taped wires near this location. The wires nearest the engine are to be used for this kit. The other wires are routed into the cab of the truck for switched auxiliary interior accessories.



baja designs
The Scientists of Lighting

2017 Ford Raptor Fog Pocket Wiring Diagram



2017 Colors

Aux 1 - Green/Blue	15A
Aux 2 - Gray/Yellow	15A
Aux 3 - Violet/Orange	10A
Aux 4 - Brown/Blue	10A
Aux 5 - Gray/Orange	5A
Aux 6 - Yellow/Violet	5A

2018 Colors

Aux 1 - Green/White	15A
Aux 2 - Brown/Blue	15A
Aux 3 - Gray/Yellow	10A
Aux 4 - Green/Yellow	10A
Aux 5 - Brown/White	5A
Aux 6 - Green/Orange	5A