



***baja designs***<sup>®</sup>  
THE SCIENTISTS OF LIGHTING

## Jeep JL and JT Dual LP4/LP6/XL Steel Rubicon Bumper Light Kit

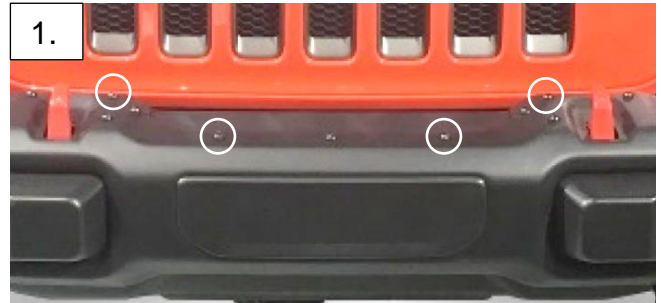


## Jeep JL/JT Dual LP/XL Light Kit Instructions

### Tools Required

- 16mm Wrench
- 7/16" Socket
- 3/4" Drill or Stepped drill
- T45 Torx
- 10mm Socket
- Pliers

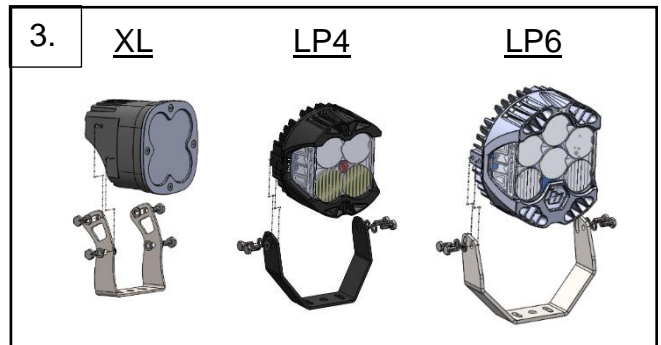
1. To begin, use the T45 torx to remove two bolts from the desired locations.
2. Mount the LP/XL light standard brackets in the locations in step 1 using the pre-existing hardware.
3. Mount each LP/XL light to the standard LP brackets with the 7/16" hex head hardware and washers. (See instructions included with the lights for more detail)



### XL Only Wiring Instructions

If you purchased the Upfitter switch version:

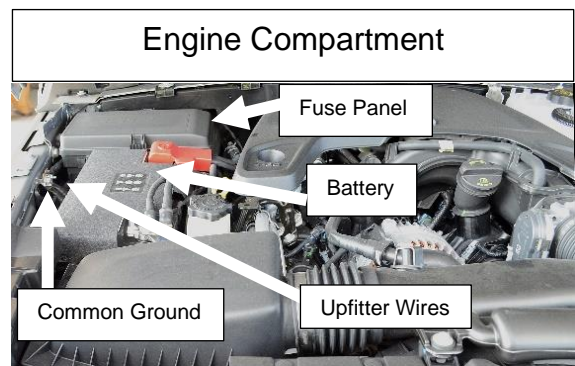
- Route the light connector lead of the main harness from the engine compartment along the passenger side inner fender down and out through the front of the fender well. Attach the splitter harness and plug in the light connectors.
- Review the upfitter wire legend on next page.
- Clasp the splice connector over the desired upfitter wire. Insulate green wire with electrical tape (unused). (XL80 = 14A min, XL Pro = 7A min, XL Sport = 5A min)
- Use the 10mm socket to remove the nut on the common ground stud, place the black wire ring terminal over the stud, and tighten.



If you purchased the stand-alone harness version:

#### Automatic Transmission:

- Route the light connector lead of the main harness from the engine compartment along the passenger side inner fender down and out through the front of the fender well. Attach the splitter harness and plug in the light connectors.
- Route the opposite end of the harness to the battery and then route the switch lead along the firewall to the driver side near the brake booster.
- Take a photo of the wires connected to the switch for reference later. Remove the grommet that seals the firewall passthrough and pierce a hole in the center.
- Remove the wires from the switch, thread wires through the grommet, route wires through the passthrough, and reinstall the grommet.
- Locate a desired dash location for the switch and confirm that there is clearance behind. Drill hole, thread wires through, attach the switch, and mount the switch.
- Use 10mm socket to attach ring terminals to the battery. (+) Red lead first and (-) Black lead second.

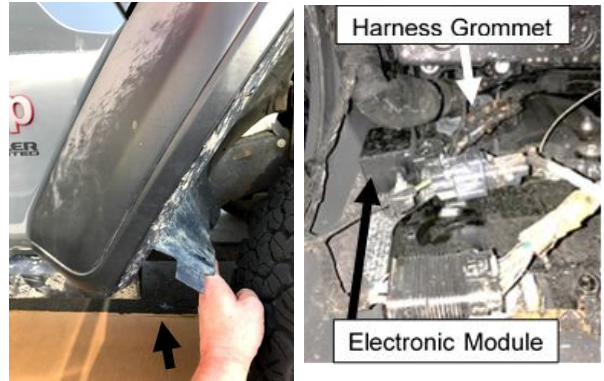


**Manual Transmission:**

- Route the light connector lead of the included harness from the engine compartment along the passenger side inner fender down and out through the front of the fender well. Plug in splitter and plug it into the lights.
- Route the opposite end of the harness to the battery and then route the switch lead to the bottom of the passenger side inner fender well.
- Outside the passenger side inner fender well, remove the two plastic fasteners to access the inner passenger side firewall.
- Locate the arrowed electronic module. With the 10mm socket wrench, remove the nuts and move it toward the center of the firewall out of the way momentarily. Press in on the harness grommet on the firewall until the grommet seal is broken and the inside of the cab is breached. (Second image on right)
- Snap a photo of the switch wiring. Remove the switch terminals from the switch, route switch wires through.
- Pull the slack from the switch lead into the cab from under the glovebox in the arrowed location. Pull the grommet back into the engine compartment and/or push from inside the cab to seal the grommet.
- Mount the electronic module back to the firewall.
- Route the switch lead behind the dash over to the driver side.
- Locate a desired dash location for the switch and confirm that there is clearance behind. Drill hole, thread wires through, attach the switch, and mount the switch.
- Using the 10mm socket wrench, mount the (+) and (-) ring terminals of the harness to the corresponding battery terminals starting with the (+) red lead.

**Upfitter Wires**  
 (Located in between battery and passenger inner fender)

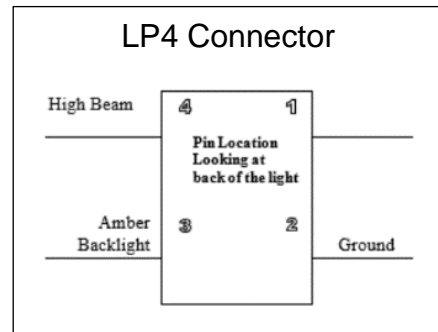
AUX 1 (40A max) = Brown/Pink Stripe  
 AUX 2 (40A max) = Green/Pink Stripe  
 AUX 3 (15A max) = Pink/Orange Stripe  
 AUX 4 (15A max) = Blue/Pink Stripe



**LP4 Only Wiring Instructions**

If you purchased the upfitter switch version:

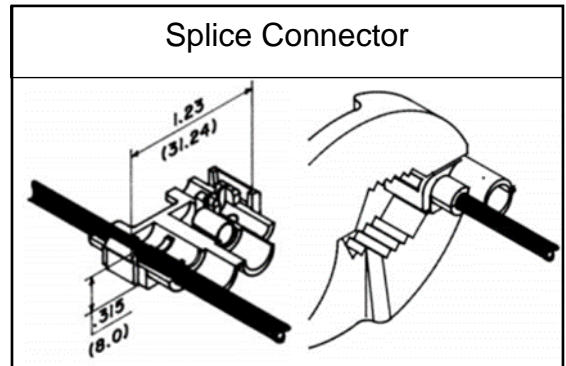
- Route the light connector leads of the included harnesses from the engine compartment along the passenger side inner fender down and out through the front of the fender well. Plug in the light connectors.
- Route the opposite ends of the harnesses to the upfitter wires.
- Clasp the splice connector attached to the white wire over the desired upfitter wire (15A minimum). Clasp the splice connector attached to the yellow wire over another upfitter wire (1A minimum) or a DRL (Daytime Running Light) wire. Repeat for other light.
- Use the 10mm socket to remove the nut on the common ground stud, place the black wire ring terminal over the stud, and tighten.



If you purchased the stand-alone harness version:

**Automatic Transmission:**

- Route the light connector leads of the included harness from the engine compartment along the passenger side inner fender down and out through the front of the fender well. Plug in the light connectors. With the provided backlight wiring harness, follow the same route with the two terminal ends and plug them into each connector in the #3 pin.

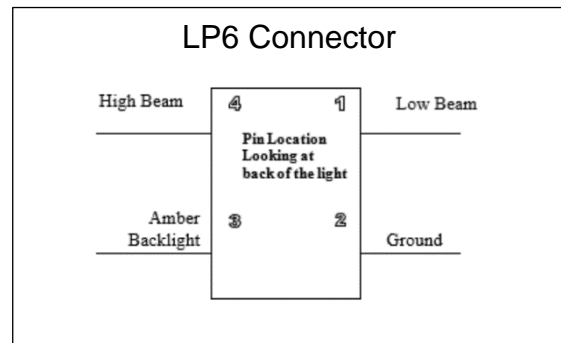




- Route the opposite end of the harness to the battery and then route the switch lead along the firewall to the driver side near the brake booster. Route the opposite end of the backlight harness to the fuse panel.
- Reference included backlight harness instructions to attach micro fuse tap to the harness and the fuse tap to the fuse panel (F52, Cigarette lighter).
- Take a photo of the wires connected to the switch for reference later. Remove the grommet that seals the firewall passthrough and pierce a hole in the center.
- Remove the wires from the switch, thread wires through the grommet, route wires through the passthrough, and reinstall the grommet.
- Locate a desired dash location for the switch and confirm that there is clearance behind. Drill hole, thread wires through, attach the switch, and mount the switch.
- Use 10mm socket to attach ring terminals to the battery. (+) Red lead first and (-) Black lead second.



- Manual Transmission:**
- Route the light connector leads of the included harness from the engine compartment along the passenger side inner fender down and out the front of the fender well. Plug in the light connectors. With the provided backlight wiring harness, follow the same route with the two terminal ends and plug them into each connector in the #3 pin.
  - Route the opposite end of the harness to the battery and then route the switch lead to the bottom of the passenger side inner fender well. Route the opposite end of the backlight harness to the fuse panel.
  - Reference included backlight harness instructions to attach micro fuse tap to the harness and the fuse tap to the fuse panel (F52, Cigarette lighter).
  - Outside the passenger side inner fender well, remove the two plastic fasteners to access the inner passenger side firewall.
  - Locate the arrowed electronic module. With the 10mm socket wrench, remove the nuts and move it toward the center of the way momentarily. Press in on the harness grommet on the firewall until the grommet seal is broken and the inside of the cab is breached.
  - Snap a photo of the switch wiring. Remove the switch terminals from the switch, route switch wires through.
  - Pull the slack from the switch lead into the cab from under the glovebox in the arrowed location. Pull the grommet back into the engine compartment and/or push from inside the cab to seal the grommet.
  - Mount the electronic module back to the firewall. Route the switch lead behind the dash over to the driver side.
  - Locate a desired dash location for the switch and confirm that there is clearance behind. Drill hole, thread wires through, attach the switch, and mount the switch.
  - Using the 10mm socket wrench, mount the (+) and (-) ring terminals of the harness to the corresponding battery terminals starting with the (+) red lead.



## LP6 Only Wiring Instructions

### If you purchased the upfitter switch version:

- Route the light connector leads of the included harness from the engine compartment along the passenger side inner fender down and out through the front of the fender well. Plug in the light connectors.
- Route the opposite end of the harness to the battery.
- Clasp the splice connector attached to the white wire over the desired upfitter wire (16A minimum). Clasp the splice connector attached to the yellow wire over another upfitter wire (1A minimum) or a DRL (Daytime Running Light) wire.
- Use 10mm socket to attach ring terminals to the battery. (+) Red lead first and (-) Black lead second.

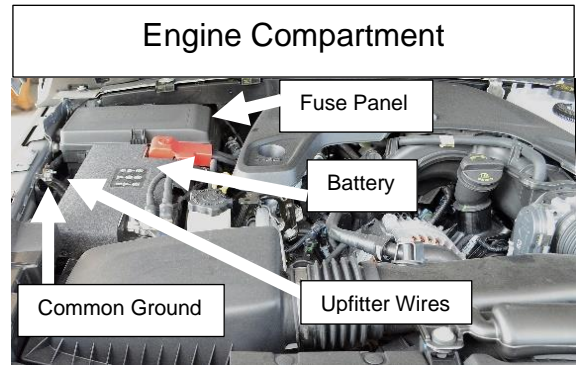
### If you purchased the stand-alone harness version:

#### **Automatic Transmission:**

- Route the light connector leads of the included harness from the engine compartment along the passenger side inner fender down and out through the front of the fender well. Plug in the light connectors. With the provided backlight wiring harness, follow the same route with the two terminal ends and plug them into each connector in the #3 pin.
- Route the opposite end of the harness to the battery and then route the switch lead along the firewall to the driver side near the brake booster. Route the opposite end of the backlight harness to the fuse panel.
- Reference included backlight harness instructions to attach micro fuse tap to the harness and the fuse tap to the fuse panel (F52, Cigarette Lighter).
- Take a photo of the wires connected to the switch for reference later. Remove the grommet that seals the firewall passthrough and pierce a hole in the center.
- Remove the wires from the switch, thread wires through the grommet, route wires through the passthrough, and reinstall the grommet. Locate a desired dash location for the switch and confirm that there is clearance behind. Drill hole, thread wires through, attach the switch, and mount the switch.
- Use 10mm socket to attach ring terminals to the battery. (+) Red lead first and (-) Black lead second.

#### **Manual Transmission:**

- Route the light connector leads of the included harness from the engine compartment along the passenger side inner fender down and out through the front of the fender well. Plug in the light connectors. With the provided backlight wiring harness, follow the same route with the two terminal ends and plug them into each connector in the #3 pin.
- Route the opposite end of the harness to the battery and then route the switch lead to the bottom of the passenger side inner fender well. Route the opposite end of the backlight harness to the fuse panel.
- Reference included backlight harness instructions to attach micro fuse tap to the harness and the fuse tap to the fuse panel (F52, Cigarette lighter).
- Outside the passenger side inner fender well, remove the two plastic fasteners to access the inner passenger side firewall.



- Locate the arrowed electronic module. With the 10mm socket wrench, remove the nuts and move it toward the center of the firewall out of the way momentarily. Press in on the harness grommet on the firewall until the grommet seal is broken and the inside of the cab is breached. (Second image on right)
- Snap a photo of the switch wiring. Remove the switch terminals from the switch, route switch wires through.
- Pull the slack from the switch lead into the cab from under the glovebox in the arrowed location. Pull the grommet back into the engine compartment and/or push from inside the cab to seal the grommet.
- Mount the electronic module back to the firewall. Route the switch lead behind the dash over to the driver side.
- Locate a desired dash location for the switch and confirm that there is clearance behind. Drill hole, thread wires through, attach the switch, and mount the switch.
- Using the 10mm socket wrench, mount the (+) and (-) ring terminals of the harness to the corresponding battery terminals starting with the (+) red lead.



**Tie all wires away from sharp, hot, and/or rotating components.**

**Re-torque all the fasteners after 100 miles.**

**Your install is now complete! Thank you for choosing Baja Designs.**