



***baja designs***®  
THE SCIENTISTS OF LIGHTING

**Jeep JL and JT Roof Light Kit  
XL Linkable, or 50" S8/OnX6+**



## Jeep JL/JT Roof Light Kit Instructions

### Tools Required

- T40 Torx
- 7/16" and 10mm Socket
- 3/16" and 5mm Allen Wrench
- Pliers

1. To begin, remove the two circled bolts and the two arrowed bolts with the T40 torx on the driver side.
2. Mount the driver side bracket using the provided bolts, washers and spacers as shown. Tighten the lower bolts with the 5mm Allen wrench and then tighten the upper bolts with the 10mm socket wrench.
3. Repeat steps 1-2 for the passenger side.
4. Mount the light in between the brackets using the 3/16" Allen wrench (Linkable only) and/or 7/16" socket wrench.

(XL Linkable: Refer to Linkable support base instructions to install the center support structure)

### Wiring Instructions:

#### If you purchased the Upfitter version:

- Open the hood and plug the harness into the light power cord. Route the harness down the bracket and follow the seam of the windshield support panel and the wiper cowl under the bracket and into the engine compartment. Tie the harness to the bracket using the zip tie slots.
- Locate the Upfitter wires in between the battery and the inner passenger fender. Clasp the splice connector over the desired Upfitter switch wire for the white (power) and green (backlight, S8 Only) wires. Refer to the table below.

#### Upfitter Wires

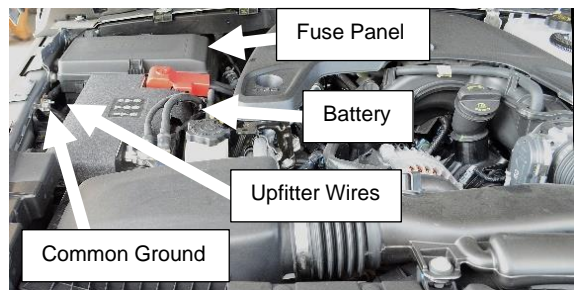
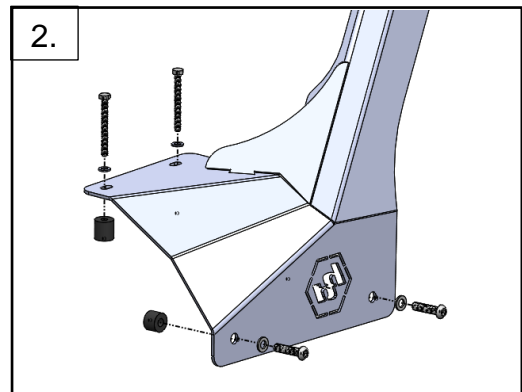
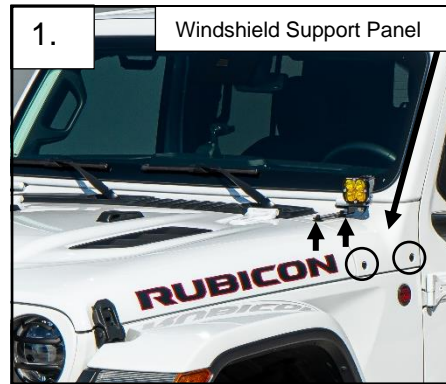
AUX 1 (40A max) = Brown/Pink Stripe  
AUX 2 (40A max) = Green/Pink Stripe  
AUX 3 (15A max) = Pink/Orange Stripe  
AUX 4 (15A max) = Blue/Pink Stripe

- Use the 10mm socket wrench to attach the ring terminal of the harness onto the common ground on the inside of the passenger side fender.

#### If you purchased the stand-alone harness version:

##### **Automatic Transmission:**

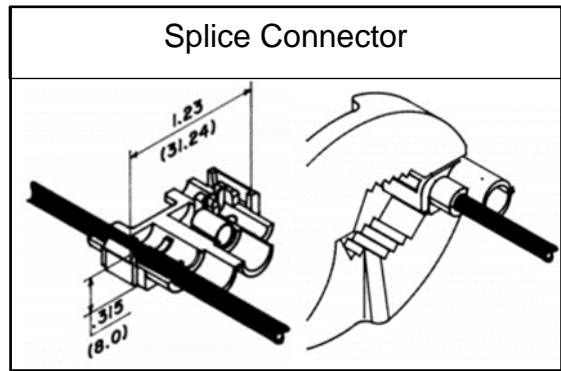
- Open the hood and route the light connector from the engine compartment up to the light following the seam of the windshield support panel and the wiper cowl. Connect the harness to the light power cord.
- Route the switch lead across the firewall to near the brake booster. Take a photo of the switch wire connections for reference later.
- Remove the wires from the switch, thread wires through the grommet, route wires through the passthrough, and reinstall the grommet.



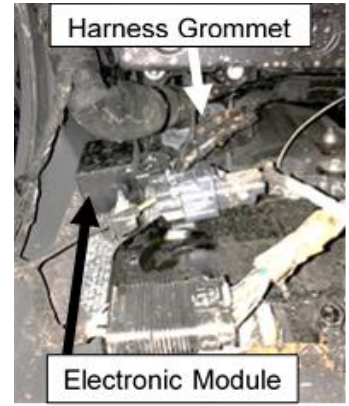
- Locate a desired dash location for the switch and confirm that there is clearance behind. Drill hole, thread wires through, attach the switch, and mount the switch.
- Use 10mm socket to attach ring terminals to the battery. (+) Red lead first and (-) Black lead second.

**Manual Transmission:**

- Open the hood and route the light connector from the engine compartment up to the light following the seam of the windshield support panel and the wiper cowling. Connect the harness to the light power cord.
- Route the opposite end of the harness to the battery and then route the switch lead to the bottom of the passenger side inner fender well. Route the opposite end of the backlight harness to the fuse panel.



- Outside the passenger side inner fender well, remove the two plastic fasteners to access the inner passenger side firewall.
- Locate the arrowed electronic module. With the 10mm socket wrench, remove the nuts and move it toward the center of the firewall out of the way momentarily. Press in on the harness grommet on the firewall until the grommet seal is broken and the inside of the cab is breached (Second image on the right).
- Snap a photo of the switch wiring. Remove the switch terminals from the switch, route switch wires through.
- Pull the slack from the switch lead into the cab from under the glovebox in the arrowed location. Pull the grommet back into the engine compartment and/or push from inside the cab to seal the grommet.



- Mount the electronic module back to the firewall. Route the switch lead behind the dash over to the driver side.
- Locate a desired dash location for the switch and confirm that there is clearance behind. Drill hole, thread wires through, attach the switch, and mount the switch.
- Using the 10mm socket wrench, mount the (+) and (-) ring terminals of the harness to the corresponding battery terminals starting with the (+) red lead.



**Backlight Wiring Instructions (S8 Only):**

- Unravel the backlight wiring and follow the same route from the engine compartment to the light connector.
- Unclasp the connector lock on the harness light plug. Connect in the terminal into the connector in pin C and lock the plug.
- On the opposite end of the backlight harness, attach the included micro fuse tap.
- In the fuse panel, remove the F52 (Cigarette lighter) fuse and plug it into the empty slot on the fuse tap. Plug the fuse tap into the F52 location (Reference fuse tap instructions to properly orient the tap). Now the backlight feature will come on with the keys.

Tie wires away from all sharp, hot, and/or rotating components.

Re-torque all the fasteners after 100 miles.

Your install is now complete! Thank you for choosing Baja Designs.