



baja designs[®]
The Scientists of Lighting

**2019 Ford Ranger Squadron Fog Pocket kit
Instructions (44-7606, 44-7607, 44-7608)**





baja designs
The Scientists of Lighting

2019 Ford Ranger Squadron fog pocket kit

Tools Required

- T25 Torx bit driver
- 4mm Allen wrench
- 10mm Socket wrench
- Standard Screwdriver (flathead)

1. To begin, remove the fasteners circled in the front driver-side fender well picture below with a 10mm socket wrench. This backslash is directly behind the fog lamp area. Repeat for passenger side.



2. Fold back the rubber flap inbetween the front bumper and fender shown below. Carefully pull back the upper inner fender well to reveal the top of the fog light back splash. Repeat for passenger side.



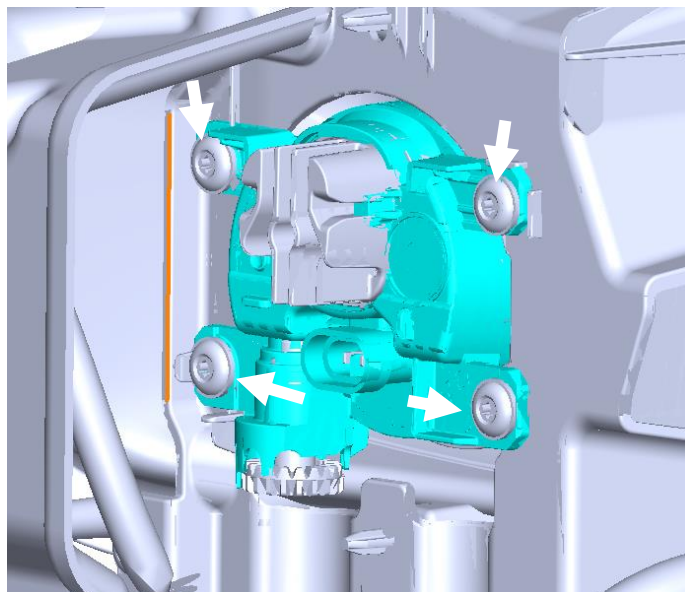


baja designs
The Scientists of Lighting

3. With a standard screwdriver, pry up the plastic fastener out of the backslash. Remove fastener, then remove backslash. Repeat for passenger side.



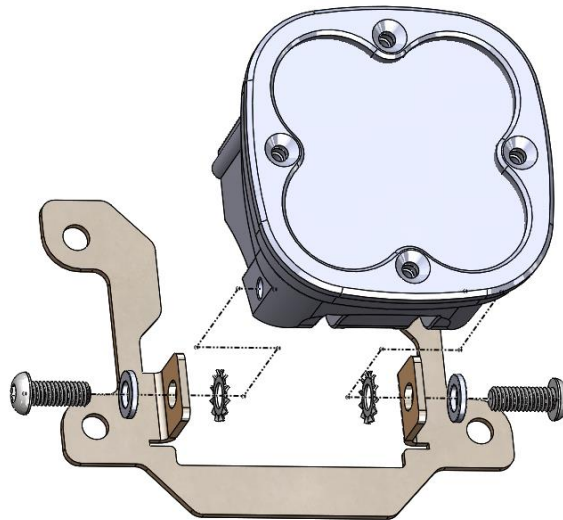
4. Unplug the OEM fog lights. Locate the four T25 head Torx bit fasteners that mount the light assemblies (Pictured below). After removing the screws, remove the lights.





baja designs
The Scientists of Lighting

5. Using the provided hardware and 4mm Allen wrench assemble the bracket to the Squadron light in reference to the exploded view below.



6. To install the Squadron assemblies, begin by placing one of the OEM screws through a hole in the bracket, then through the spacer. Move the assembly into position and then tighten the screw enough to hold it on the vehicle, but leave room for adjustment. Carefully place all the other spacers and screws and tighten partially. Adjust the light in the fog pocket opening until satisfied. Tighten. Repeat for opposite side of the vehicle.





baja designs
The Scientists of Lighting

7. Locate the plug and play harness adapters included with your kit (pictured below). The adapter comes with the Squadron side connector unpinned, so the weather pak connector will need to be attached. Slide the black wire terminal into the side marked "A" on the connector and the brown wire into "B". Connect the inline harness adapters to the factory plugs and then plug in the Squadron power cords. Zip-tie the wires to the bracket behind the fog light area as shown in the picture below.



8. Follow steps 1-3 in reverse to complete the installation!

Re-torque all the fasteners after 100 miles.

Your install is now complete! Thank you for choosing Baja Designs.

Discover other off-road lights on our website.