



***baja designs***<sup>®</sup>  
*The Scientists of Lighting*

**2019 Chevrolet Silverado A-pillar kit  
Instructions (44-7523, 44-7524, 44-7525)**





***baja designs***<sup>®</sup>  
The Scientists of Lighting

### 2019 Chevy Silverado A-pillar kit instructions

#### Tools Required

13mm

Standard screwdriver (Flathead)

9/16" wrench

9/16" Socket wrench

4mm Allen wrench

Sissors

1. To begin, locate the upper hood hinge bolts in the picture below. These will be used to mount the A-Pillar brackets.



2. Place masking tape along the hood hinges (shown below) to ensure proper alignment.





**baja designs**  
The Scientists of Lighting

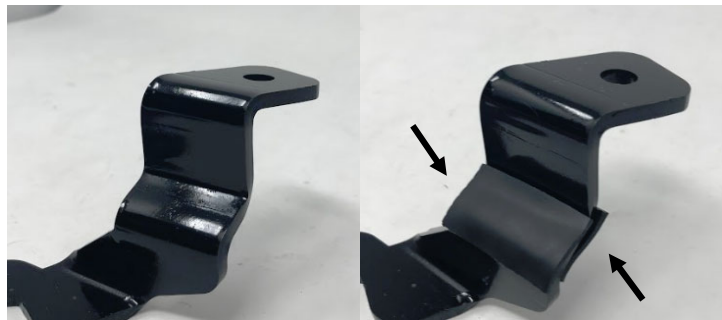
3. Start on one side and **do not move on to the opposite side until the first side is finished.** While supporting the hood, demount the gas strut using the standard screwdriver by prying the metal band up just enough to release the ball joint. See image.



4. Rotate the gas strut toward the front of the vehicle and rest it on the radiator core support inboard of the hood rests. This will keep it out of the way as you work on the hood. You can close the hood momentarily.



5. Locate the brackets included in the kit, as well as the small rubber pads. Remove the backing paper and stick the rubber onto the metal brackets as shown below. Trim.





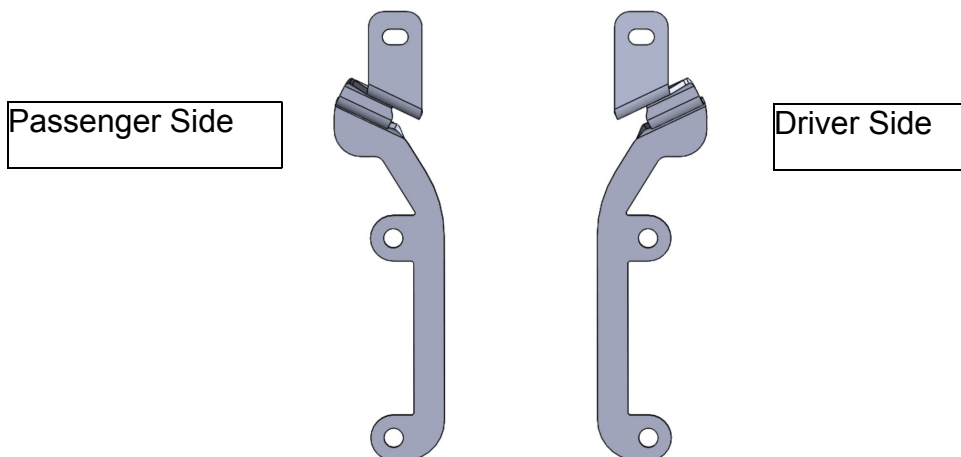
**baja designs**  
The Scientists of Lighting

6. For these next steps, it is recommended, but not necessary to complete this installation with assistance. Using an appropriate item, like a cardboard box, prop the hood open as pictured below. Alternatively, you can ask an assistant to hold it open.



7. On the same side the gas strut was removed, hold the back corner of the hood down and loosen the nuts holding the hinge onto the hood. **Be sure not to let the hood lift or move in any way that could damage the assembly.** Remove nuts and keep holding the hood. Place the bracket through the opening at the lower portion of the hood while it is open from the windshield side. Place the bracket against the hood hinge bracket and over the mounting studs. Thread on the nuts finger tight. Align with the masking tape from step 2 and fully tighten the nuts.

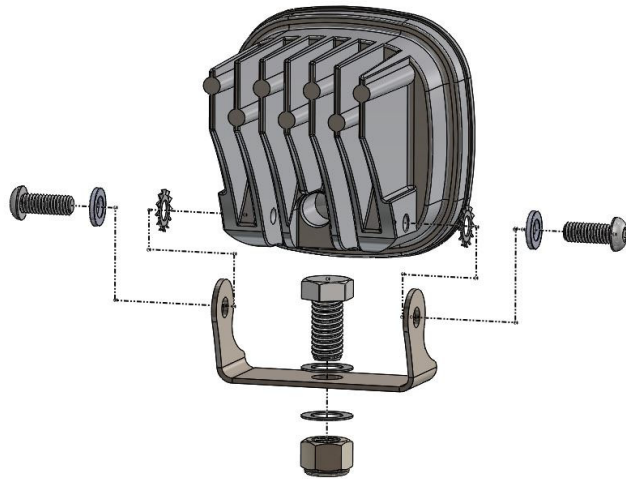
**Top View**





***baja designs***<sup>®</sup>  
*The Scientists of Lighting*

8. Now, open the hood all the way and snap the gas strut back onto the ball joint with modest force until a “click” is heard. Repeat steps 3 through 7 for the opposite side of the vehicle.
9. Once the brackets are in place, close the hood. Assemble the Squadron lights to the standard Squadron brackets as shown below. Note: place the 3/8” bolt through the bracket before mounting the light.



10. Now with the 9/16” wrench and socket, the lights can be placed onto the A-pillar brackets, aimed, and tightened.

Re-torque all the fasteners after 100 miles.

See the instructions supplied with the wiring harness to complete wiring needs.

Your install is now complete! Thank you for choosing Baja Designs.

Check out the collection of off-road lights we offer.