



***baja designs***<sup>®</sup>  
The Scientists of Lighting

## 2019 Silverado Squadron Fog Pocket Kit Instructions





**baja designs**  
The Scientists of Lighting

### '19 Chevy Silverado Fog Pocket Kit Instructions

#### Tools Required

7mm socket (1/4" drive)

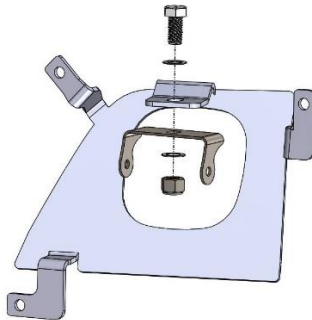
9/16" wrench

9/16" socket

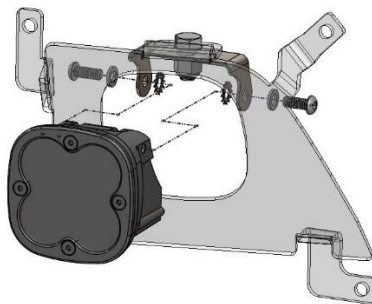
4mm Allen wrench

2.5mm Allen wrench

1. To begin, layout the entire contents of the kit on a flat surface and locate the squadron parts bag. With the 9/16" socket and wrench, assemble the squadron bracket onto the fog pocket bracket with the provided 3/8" bolt, washers, and nylon locking nut. Refer to the driver side exploded sketch below.



2. This kit places each Squadron light upside down inside the fog pocket. Using the 2.5mm Allen wrench, remove the four bezel bolts on the face of the light. Remove and spin the bezel and lense 180 degrees, then reinstall. Assemble the light onto the bracket with the rest of the hardware in the parts bag (see exploded view below). Tighten lightly for adjustment later. Repeat steps 1 and 2 for the opposite side light and bracket assembly.



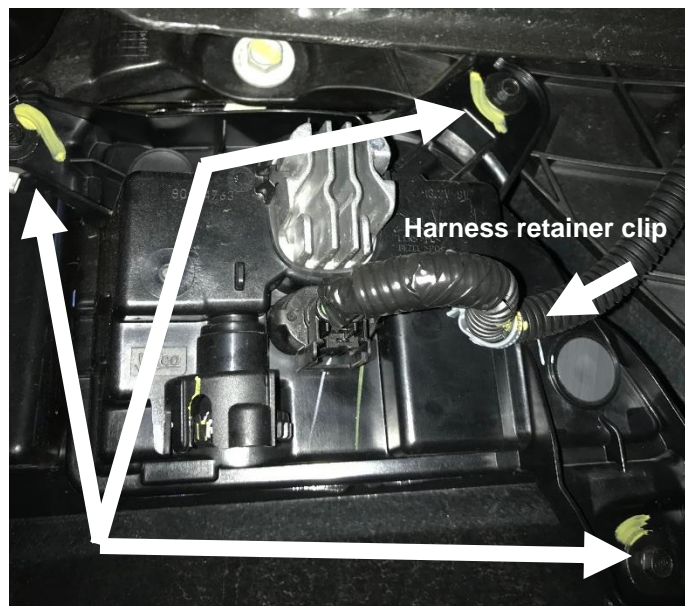


**baja designs**  
The Scientists of Lighting

3. Locate the de-pinned harness adapter and the two pin weather pak Squadron plug. Insert the black wire terminal into A and the brown wire terminal into B. Clasp the wire lock. Repeat for the other harness adapter and plug. Plug both assembled harness adapters into each Squadron power cord weather pak connector.



4. Now it is time to remove the stock fog lamp from the vehicle. On either side, Unplug the connector and unclip it from the harness retainer clip. With the 7mm socket wrench, remove the three fog lamp mounting bolts (see passenger side image below). Remove the stock light assembly. Repeat for opposite side of the vehicle.



5. Mount the new Squadron fog lamp assemblies onto the stock mounting points using the stock 7mm head bolts and tighten. Aim the lights and securely tighten the rest of the hardware.
6. Plug in each Squadron adapter harness into the factory fog lamp connectors to complete the assembly.

Re-torque all the fasteners after 100 miles.

See the instructions supplied with the wiring harness to complete wiring needs.

Your install is now complete! Thank you for choosing Baja Designs.

Rely only on high-grade off-road lights offered on our virtual shelves.