



bajadesigns®

The Scientists of Lighting

LP9

LP6

32-0001, 32-0003, 32-0011, 32-0013, 33-0001, 33-0011

35-0001, 35-0003, 35-0011, 35-0013

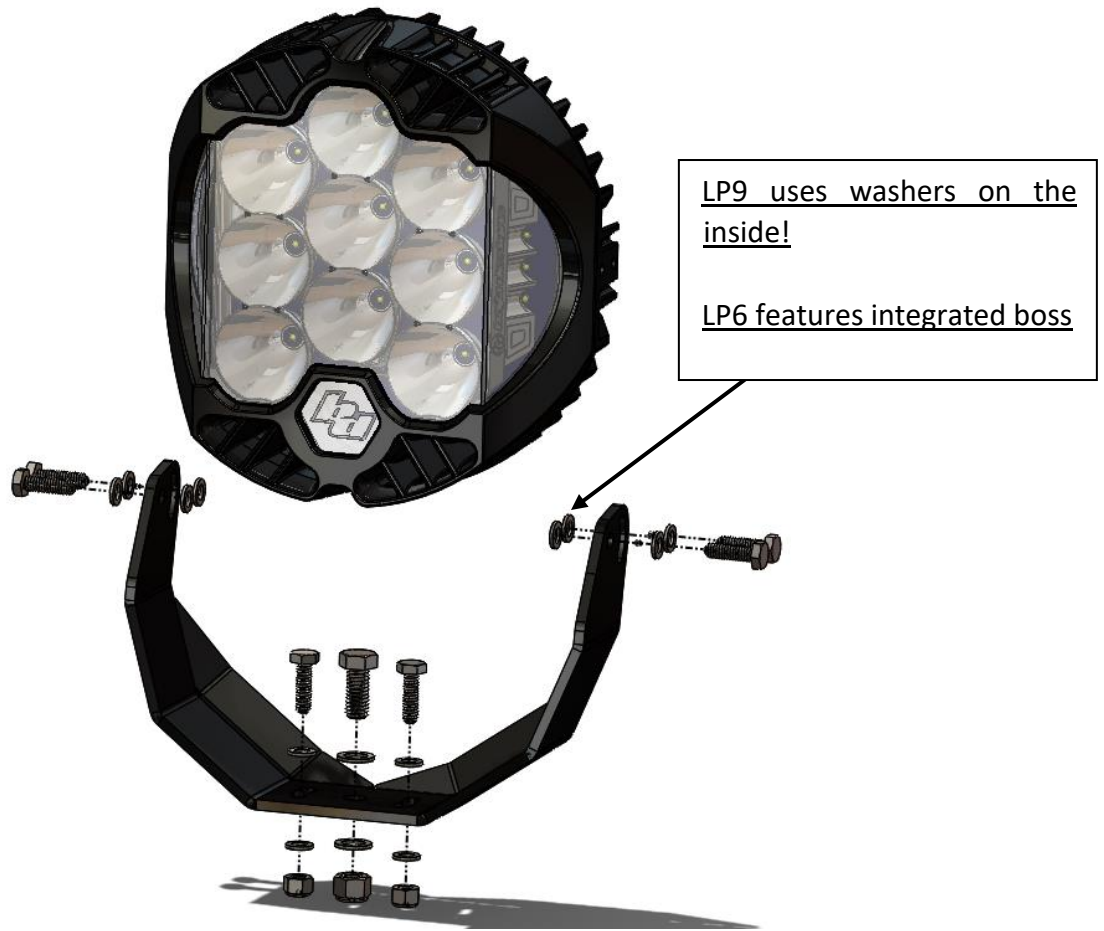
27-0001, 27-0003, 27-0011, 27-0013





baja designs
The Scientists of Lighting

LP9/LP6 Mounting Instructions



- 1) Begin by removing the light and bracket from the box and orientate them as shown in the picture above.
- 2) Locate the $\frac{1}{4}$ "-20 and $\frac{3}{8}$ " hardware in the provided hardware pack, placing the center $\frac{3}{8}$ " bolt, two $\frac{1}{4}$ "-20 bolts, and associated washers through the bottom of the bracket as shown in the picture above. Do not fully tighten the lower mounting bracket hardware until after the light has been aligned.
- 3) Mount the bracket to the light using the remaining $\frac{1}{4}$ "-20 hardware as shown in the picture above.



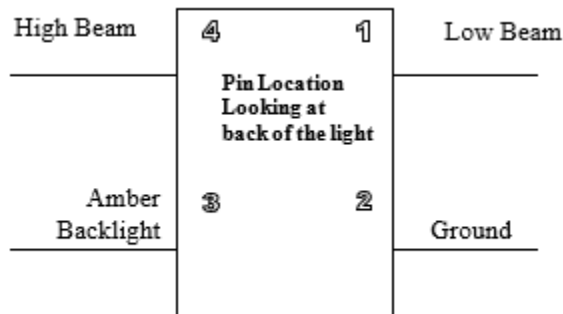
baja designs
The Scientists of Lighting

Lens Swap Instructions (uService):

- When installing a different lens simply remove the 6 (LP9) or 4 (LP6) bolts using a 4mm allen wrench on the back of the light.
- Carefully remove the front bezel and lens.
- Make sure the o-ring is properly fitted in the o-ring groove of the housing when installing the new lens. The o-ring is not directional, although the shape has been designed to match the housing profile groove.
- Once you have ensured the o-ring, lens and bezel have been properly seated begin tightening the 6 (LP9) or 4 (LP6) bolts. The bezel hardware should be torqued to 7 ft./lb. in a “criss-cross” pattern.

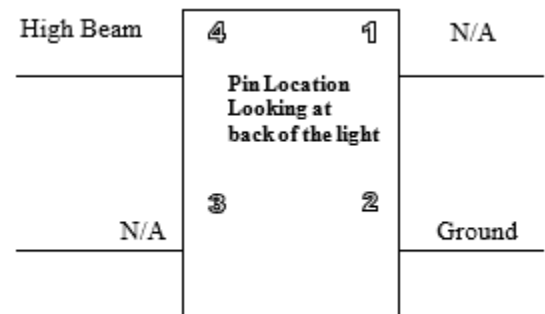
LP9/LP6 Pro & Racer Edition

Wiring Instructions



LP9/LP6 Sport

Wiring Instructions



- LP6 & LP9 Operating Voltage: 12-36 Volts.
- Low beam, High Beam and Amber Back Light function off positive current.
- **Do NOT power pins 1 and 4 at the same time.** This may cause damage to the circuit board!
- If you are creating your own wiring harness the mating connector for the back of the light is a Deutsch Connector with part number DT06-4S. When you wire the light, you cannot supply power to the low beam (pin 1) & the high beam (pin 4) at the same time. **Use a three position toggle switch (on/off/on) that is single pole, double throw. In one of the on position's it will supply power to the low beam. In the opposite on position it will supply power to the high beam. Custom wire harnesses must be made**



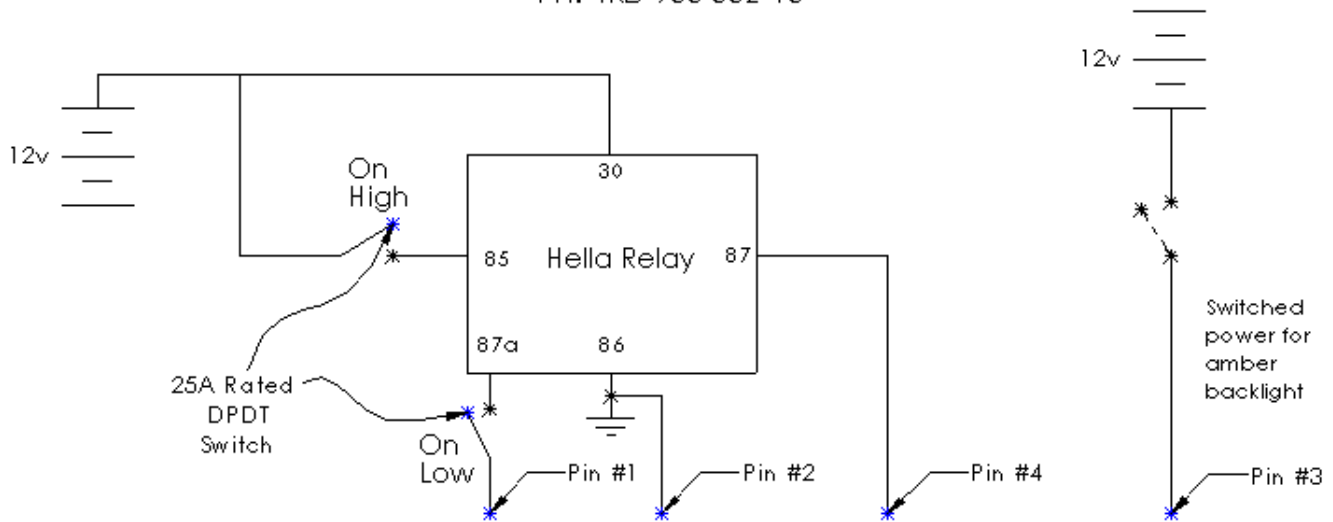
bajadesigns
The Scientists of Lighting

- with 12 gauge wire for pins 1, 2, & 4. Pin three must use a minimum of 16 gauge wire. If the minimum size wire is not used, fire or damage to the light may occur.

We highly recommend the use of our 64-0172, LP9 Pro Wire Harness to safely power up to two lights at a time. The 64-0172 includes switch, relay, connectors and ample lengths of wire for a full size vehicle.

LP9 Wire Harness Schematic

Hella Relay
PN: 4RD 933 332-18



4 Pin Connector

