

BADLANDS Victory ILL-VIC-01 Illuminator RUN-BRAKE-TURN Module with LOAD EQUALIZER

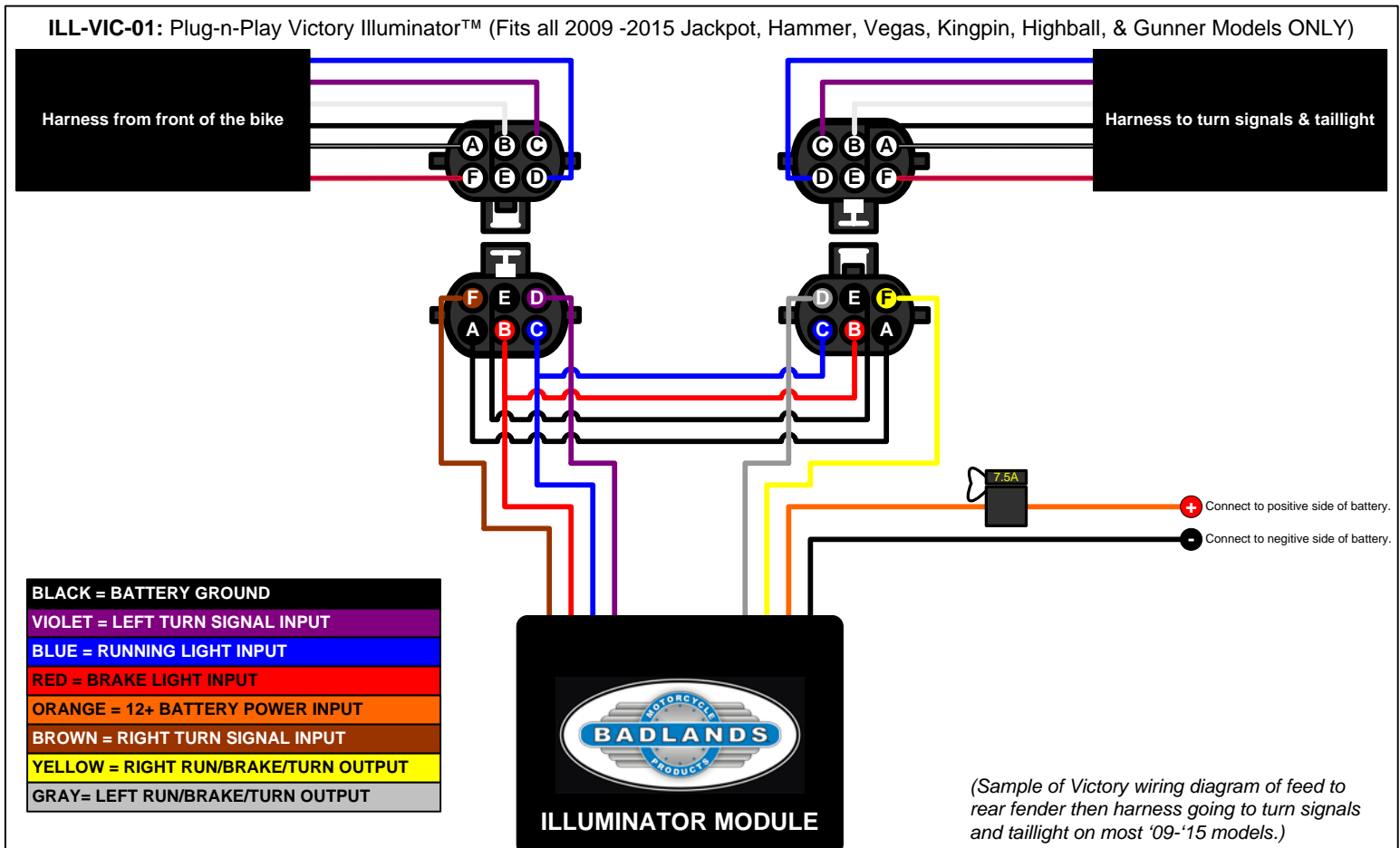
Thank you for purchasing a Badlands Illuminator Module! We're sure that you will be completely satisfied with the performance and ease of installation of your new module. Before you get started, PLEASE read these instructions and helpful tips so that you understand how to install your module correctly. An improper installation will void the warranty.

FEATURES: All Badlands Illuminator Modules are designed to provide you running light, brake light and turn signal functions to each rear turn signal all on (1) wire per side. NOTE, in order to use this module on Victory models equipped with incandescent bulbs, the rear turn signals must have RED lenses installed or have new RED LED or RED Halogen turn signals installed. When installing this module on Victory models already equipped with LED's, the rear signals must be swapped with RED LED's or RED Halogen turn signals. Our modules have a built-in Load Equalizer which will prevent a "rapid-flash" turn signal or indicating light. Now you understand the features of our Illuminator Module, let's talk about installation.

PLUG-N-PLAY: The wiring colors on our Illuminator Modules are defined in the color chart below. The fused ORANGE wire on our module needs to connect to 12-volt switched or battery power. (NOTE, we recommend that you connect the FUSED orange wire from our module directly to the (+) positive side of the battery while attaching the black wire to the (-) negative side of the battery.

INSTALLATION: Both ILL-VIC-01 and ILL-VIC-02 modules offer Plug-n-Play technology, making installation quick and easy. Simply remove your seat or lift up the rear fender to access the 6-position fender connection, unplug the rear fender harness connectors, plug our module in between and you're done. (NOTE, DO NOT connect either module to any other models, except the Victory Models listed below or DAMAGE will occur.) (see fitment below)

ILL-VIC-01: Plug-n-Play Victory Illuminator™ (Run/Brake/Turn function with built in Load Equalizer) (Fits all 2009 -2015 Jackpot, Hammer, Vegas, Kingpin, Highball, & Gunner Models ONLY)



BADLANDS Victory ILL-VIC-02 Illuminator RUN-BRAKE-TURN Module with LOAD EQUALIZER

Thank you for purchasing a Badlands Illuminator Module! We're sure that you will be completely satisfied with the performance and ease of installation of your new module. Before you get started, PLEASE read these instructions and helpful tips so that you understand how to install your module correctly. An improper installation will void the warranty.

FEATURES: All Badlands Illuminator Modules are designed to provide you running light, brake light and turn signal functions to each rear turn signal all on (1) wire per side. NOTE, in order to use this module on Victory models equipped with incandescent bulbs, the rear turn signals must have RED lenses installed or have new RED LED or RED Halogen turn signals installed. When installing this module on Victory models already equipped with LED's, the rear signals must be swapped with RED LED's or RED Halogen turn signals. Our modules have a built-in Load Equalizer which will prevent a "rapid-flash" turn signal or indicating light. Now you understand the features of our Illuminator Module, let's talk about installation.

PLUG-N-PLAY: The wiring colors on our Illuminator Modules are defined in the color chart below. The ORANGE/WHITE wire on our module needs 12-volt switched or battery power. (**NOTE, we recommend that you connect the FUSED orange wire from our module directly to the (+) positive side of the battery while attaching the black wire to the (-) negative side of the battery.**)

INSTALLATION: Both ILL-VIC-01 and ILL-VIC-02 modules offer Plug-n-Play technology, making installation quick and easy. Simply remove your seat or lift up the rear fender to access the 6-position fender connection, unplug the rear fender harness connectors, plug our module in between and you're done. (**NOTE, DO NOT connect either module to any other models, except the Victory Models listed below or DAMAGE will occur.**) (see fitment below)

ILL-VIC-02: Plug-n-Play Victory Illuminator™ (Run/Brake/Turn function with built in Load Equalizer) (Fits all 2011 – 2015 Judge, Boardwalk, Cross-country, Cross-roads, & Magnum Models ONLY)

