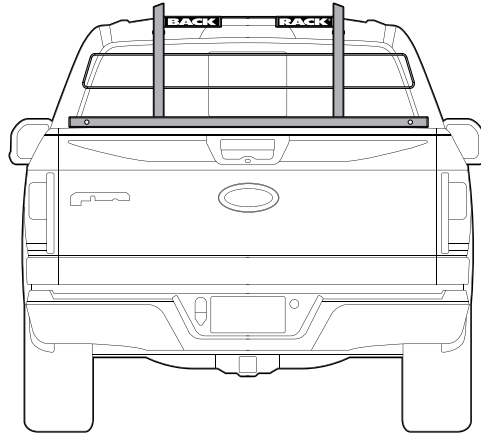


BACKRACK®

FUNCTION AND STYLE FOR TODAY'S TRUCKS



UTILITY BODY ORDER FORM INSTRUCTIONS



How to measure your truck instructions are included.

BACKRACK® UTILITY BODY ORDER FORM INSTRUCTIONS:

This is a fillable form – you can type directly in the blue areas and click the email address to send when complete.

1.

Complete company information, Name, Ship to Address, Contact Name, Contact Phone Number, and PO Number.

Company Name:

Ship to Address:

Contact Name:

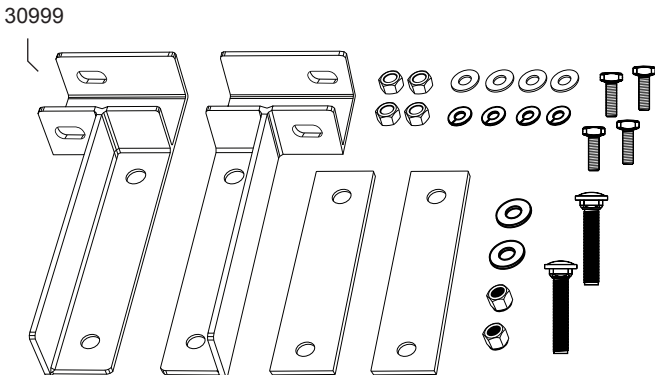
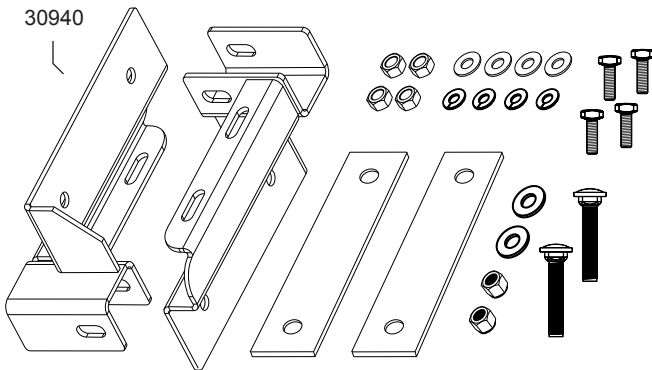
Contact Phone Number:

PO Number:

3.

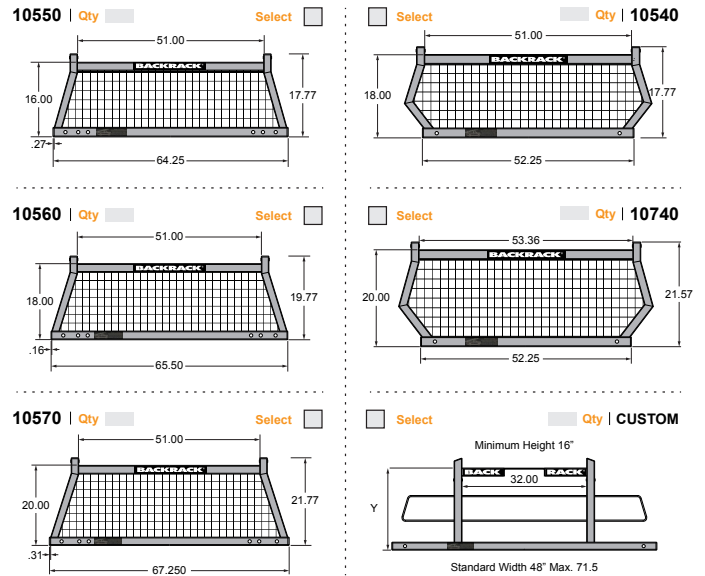
Check the hardware kit style & quantities to match the racks

- 30940** – Drill mount sits between the utility bodies
- 30999** – Drill mount sits on top of the utility body



2.

Choose the style of rack & quantities you would like.



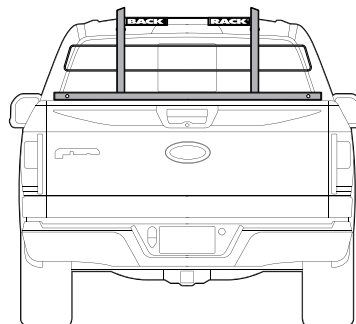
A. Part numbers 10550, 10560, 10570 – Standard Safety Rack Style Choose the size of the rack that works best with your utility bed

B. Part Numbers 10540, 10740 – Diamond Safety Rack Style Designed for use with Spacemaker Reading Utility Bodies

- 10540** – Designed for F-150, Ram, Silverado, Sierra
- 10740** – Designed for Superduty

C. Backrack Can be made to the height you require. **32"** between the posts is a fixed size, does not change.

Width – Can be from **48" up to 71.5"**



MEASURE YOUR TRUCK

PLEASE LOOK ON PAGE 2 FOR MEASURING.

HOW TO MEASURE YOUR TRUCK

These images show how you should measure your truck for a BacRack.



Dimension Y:

Measure the height of the exposed cab - This measurement will be to the top of the cross bar of the backrack.

Please see red line with arrows.

See Img. A

Img. A



Img. B