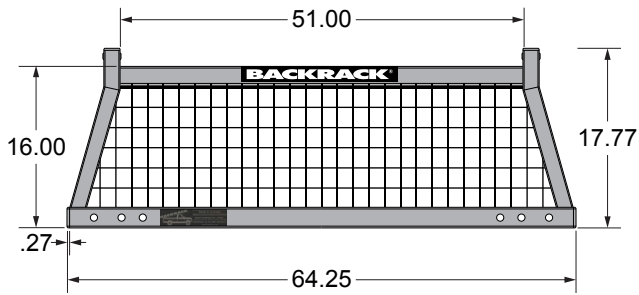
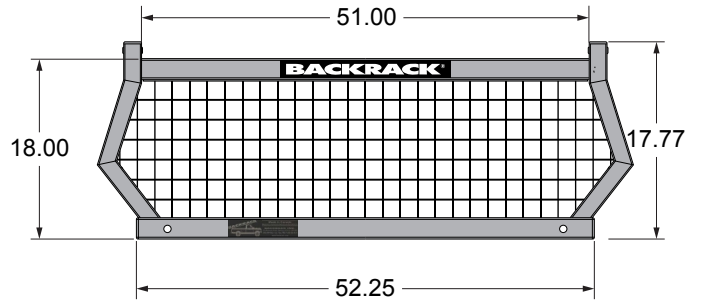


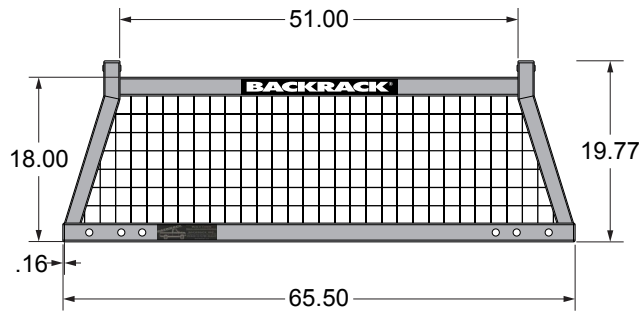
10550



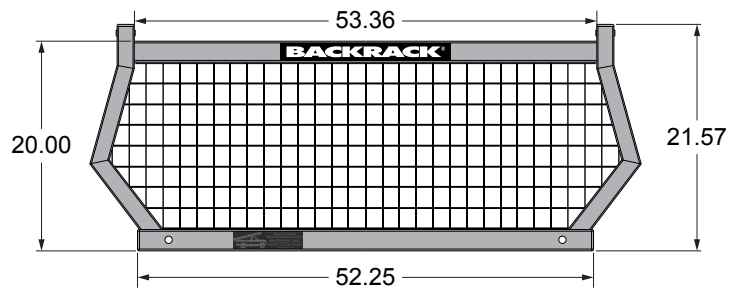
10540



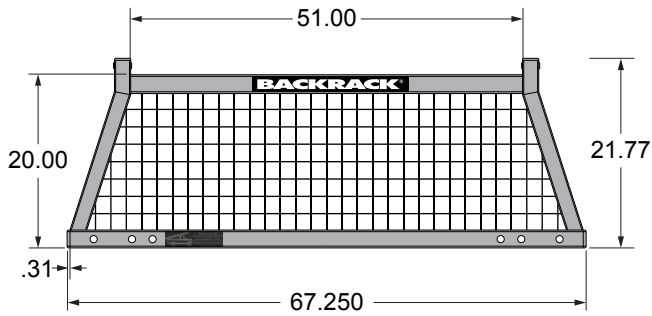
10560



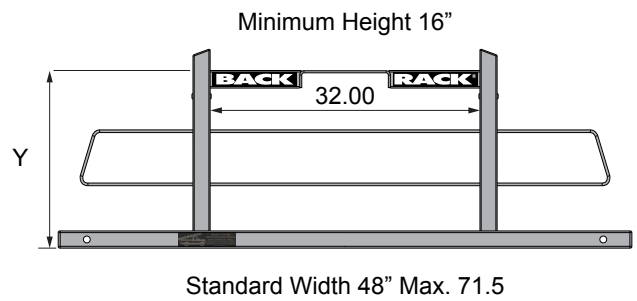
10740



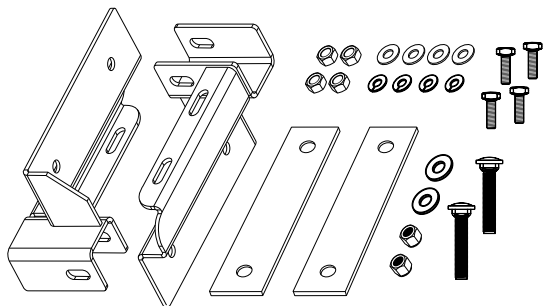
10570



CUSTOM



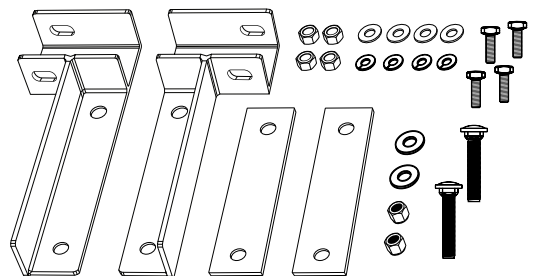
30940



Drill Mount between the utility bodies.

Required Hardware Kit Please Choose One

30999



Flat Drill Mount On top the utility body.