



## Mercedes Benz (NTG 5.0 with 7” or 8” display) **HDMI and Camera Interface 2014-up\***

### INTERFACE FEATURES

- Provides front and rear camera inputs to the factory display screen
- Provides an HDMI input to the factory display screen
- Micro “B” USB updatable

### INTERFACE COMPONENTS

- AX-AM-MB92 interface
- AX-AM-MB92 harness
- 6-pin to 4-pin LVDS (video) cable
- LVDS extension cable
- 10-pin harness with RCA jacks
- 3.5mm extension cable
- USB dongle

### APPLICATIONS

#### MERCEDES

CLA Coupe (C117)	2015-up	E Class (W212)	2015-up	ML Class (W166)	2014-up
A Class (W176)	2015-up	GLA Class (X156)	2015-up	S Class (W22)	2014-up
B Class (W246)	2015-up	CLS Shooting Brake (X218)	2014-up	GLC Class (X253)	2015-up
C Class (W205)	2014-up			GLE Class (C292)	2014-up
				V Class (W447)	2014-up

### TABLE OF CONTENTS

Connections to be made .....	2
Configuring the AX-AM-MB92 .....	3
Installing the AX-AM-MB92 .....	4
User guide .....	5

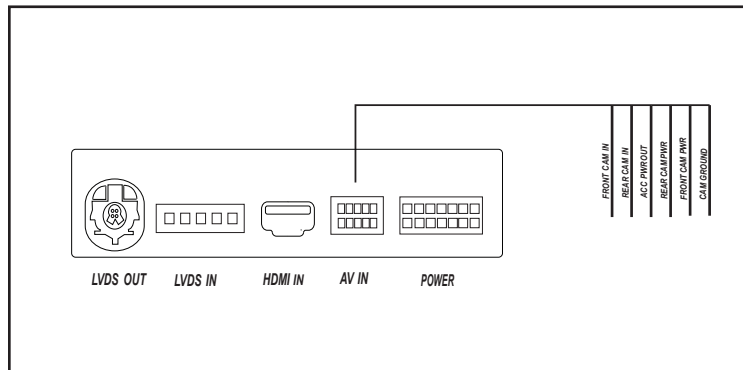
### TOOLS REQUIRED

- Wire cutter • Crimp tool • Solder gun • Tape
- Connectors (example: butt-connectors, bell caps, etc.)

**CAUTION!** All accessories, switches, climate controls panels, and especially air bag indicator lights must be connected before cycling the ignition. Also, do not remove the factory radio with the key in the on position, or while the vehicle is running.

## CONNECTIONS TO BE MADE

- If installing a front/rear camera, connect the **Black** wire labeled “GND”, to the camera(s) ground wire.
- If installing a backup camera, connect the **Red** wire labeled “Reverse Camera 12v”, to the backup camera power wire.
- If installing a front camera, connect the **Red** wire labeled “Front Camera 12v”, to the front camera power wire.
- The **Red** wire labeled “Acc Power Output” is optional if a power source is required while a camera is active.
- If installing a backup camera, connect the RCA jack labeled “Reverse Camera Video Input” to the camera.
- If installing a front camera, connect the RCA jack labeled “Front Camera Video Input” to the camera.
- If adding an HDMI input to the factory display screen, connect an HDMI cable (Axxess part number AX-HDCABLE, sold separately), to the port on the AX-AM-MB92 labeled “HDMI IN”.

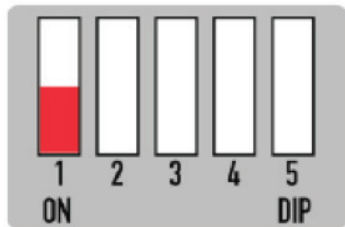


(Connections Diagram)

## CONFIGURING THE AX-AM-MB92

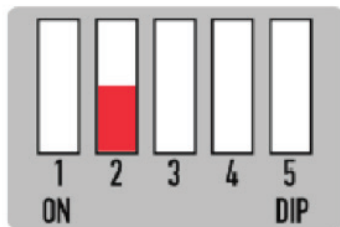
### Dip switch settings

Remove the access door located on the top of the AX-AM-MB92 interface to access the dip switches.



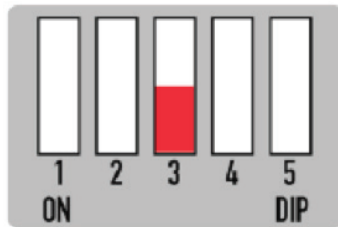
#### Dip 1

If the vehicle is equipped with a factory backup camera: **On:** Yes **Off:** No



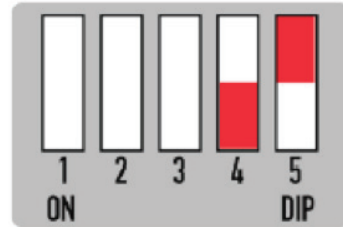
#### Dip 2

If the vehicle has an aftermarket front camera: **On:** Yes **Off:** No



#### Dip 3

If the vehicle has an aftermarket backup camera: **On:** Yes **Off:** No



#### Dips 4 & 5

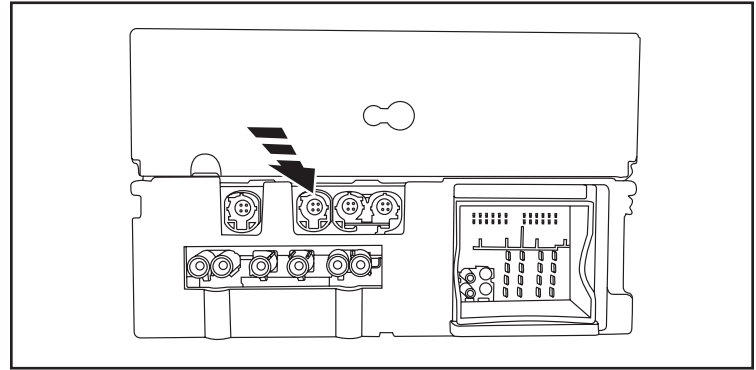
- 7-inch screen:  
Dip 4 Off - Dip 5 Off
- 8-inch screen:  
Dip 4 On - Dip 5 Off

## INSTALLING THE AX-AM-MB92

- Remove the main connector from the radio, then connect the *male* plug from the AX-AM-MB92 harness into the radio.
- Connect the factory *male* factory connector into the *female* plug from the AX-AM-MB92 harness.
- Connect the AX-AM-MB92 harness into the AX-AM-MB92 interface.
- Connect one end of the 3.5mm extension cable to the AX-AM-MB92 harness, then connect the other end to the USB dongle. The USB dongle will be discussed later.
- Remove the **Blue** LVDS (video) cable from the radio, then connect it to the AX-AM-MB92 interface (LVDS OUT). (Figure A)

**Note:** An LVDS extension cable is provided if more length is required.

- Connect the 6-pin to 4-pin LVDS (video) cable into the radio, and then into the AX-AM-MB92 interface (LVDS IN).
- Connect the 10-pin harness with RCA jacks into the AX-AM-MB92 interface.



(Figure A – Picture shown for illustration only, actual radio may differ)

# USER GUIDE

## Button Configuration

- The “BACK ARROW” button in the center console will be used to operate the AX-AM-MB92.



## HDMI access

- Connect the *USB dongle* to the vehicle's USB input. The dongle will appear as “USB AUX”. Select USB as a source from the factory radio.
- Press and hold “Button 1” for 2 seconds to switch between the factory screen and the AX-AM-MB92 screen.
- Double tap “Button 1” to disable the video-in-motion warning message.

**Note:** *There may be a slight delay in HDMI audio lip sync due to the USB audio buffer time of the OEM system. This is dependent on the manufacturer original equipment specification.*

## Rear camera access

- The backup camera will automatically activate while the vehicle is in reverse gear.
- Deselecting the reverse gear will activate the front camera, if installed.

**Note:** *This camera takes priority over HDMI mode, and front camera mode, but will not deactivate the front camera. Drive over 10 mph to cancel front camera mode.*

## Front camera access

- Double tap “Button 1” to activate the front camera.

## View Version Number

- Press and hold “Button 1” for 8 seconds to enter the firmware information screen.