



Manual

SPBT1031



**Outdoor Passive HiFi
Bluetooth Speaker**

SPBT1031 Manual

For proper operation, please read this manual carefully before using. Please note that any content revisions will not be declared, and we are not responsible for any consequence caused by fault or oversight of this manual.



FEATURES:

1. 2.1 Outdoor Passive *Bluetooth* Speaker with 3-inch Subwoofer.
2. Output has very clear sound and heavy bass, as well as dynamic sound effects.
3. With *A2DP Bluetooth*, wirelessly stream music from any Bluetooth-enabled device such as your mobile phone, notebook, iPhone or iPad.
4. Secure simple pairing for user-friendly operating.
5. 10-meter operating range.
6. With USB and SD card support.
7. With FM radio.
8. With Line-in function, suitable for PC, MID, TV and other audio devices.
9. Side panel control for volume.
10. Built-in Lithium rechargeable battery (1000 mAh).
11. With strap for easy portability.

SPECIFICATION:

Horn Size: 2-inches

Subwoofer Size: 3 inches

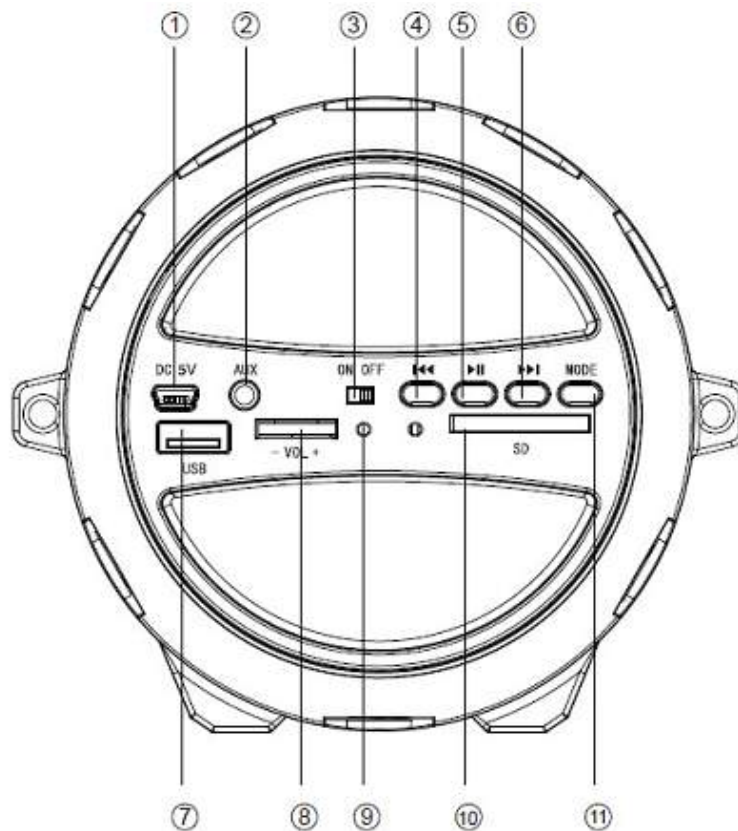
Horn output: 2W x 2, 4 Ω

Subwoofer output: 5W, 4 Ω

Battery Capacity: 1000 mAh

Frequency Response: 100-20Khz

APPEARANCE AND KEY INSTRUCTIONS:



- | | | |
|------------------|---|------------------|
| 1. Charging jack | 2. Aux-in jack | 3. ON/OFF button |
| 4. Forward | 5. PLAY/PAUSE | 6. Backward |
| 7. USB port | 8. Volume Gear | 9. LED indicator |
| 10. SD slot | 11. Mode (<i>Bluetooth</i> switch, USB, SD, FM and AUX-IN modes) | |

Bluetooth:

1. Turn the ON/OFF button to "ON". The LED light will turn blue, flash quickly, and beep twice.
2. Activate *Bluetooth* of your mobile device and search for the device name "BT speaker", and then connect it. The blue LED light will flash slowly and beep three times once connected successfully.
3. Play the music from your mobile device and enjoy.
4. Press the LAST or NEXT button on your mobile device to select songs.
5. Press the PLAY/PAUSE button on your mobile devices to play or pause.
6. Use the "Volume Gear" to adjust volume up and down. Or adjust volume via your mobile device.

Playing music from USB disk & SD card:

1. Turn the ON/OFF button to "ON".
 2. Insert the SD card or USB device into slot. The music stored will be played automatically, and the blue LED light will continuously flash.
 3. In PLAY mode, tap the FORWARD or BACKWARD button to select songs you like; hold down the FORWARD or BACKWARD button to fast forward or backtrack the song.
 4. Press the PLAY/PAUSE button to play or pause.
 5. Please turn the ON/OFF button to "OFF" when the speaker is not in use.
- Note: In Bluetooth PLAY mode, inserting a SD card or USB device will automatically disconnect the Bluetooth and switch to the USB device or SD card. You can press the MODE button to switch back to *Bluetooth* mode.

FM Radio:**1. In FM radio mode, the audio cable provided serves as an antenna. Please insert the audio cable to get the best FM radio signal before use.**

2. Turn the ON/OFF button to "ON" and press the "MODE" button to switch to FM radio mode.
3. In PLAY mode, tap the "PLAY/PAUSE" button to auto-search the FM stations and store them automatically.
4. Press the LAST or NEXT buttons to change the stored FM stations.

AUX-IN:

For all other compatible external music devices or MP3/MP4 players: Please use the supplied audio line cable to connect from your external device's "LINE OUT" jack to the "AUX IN" jack of this device. Then press the "MODE" button to switch to the AUX-IN state. Enjoy!

When using an external device, all functions will be controlled by the external device except for the "PLAY/PAUSE" button.

Notes:

1. Press the MODE button to toggle between different modes: *Bluetooth*, SD, USB, FM radio, and AUX-IN.
2. Turn the ON/OFF button to "OFF", to shut off the power supply while not in use.

Charging Instructions:

1. Power off the unit, and put the provided charge cable into the charge slot of unit. Connect the other end to a PC or other charger with 5V output (not included). Once connected properly, the red charging indicator light should keep flashing.
2. Charge time is approximately 3-5 hours. When fully charged, the red charging indicator light will switch off.
3. In order to prolong the life of the battery, please do not charge more than 8 hours