

# Installation Instructions



## Important Safety Information



- CAUTION - Before driving, ensure that the roof wind deflector is properly secured to vehicle.
- Do not use automatic "brush-style" car washes.
- Do not use cleaning solvents of any kind.
- Periodically check that all components are secured.

## Contents **NOTE:** Actual product may vary from illustration.



Roof Wind Deflector

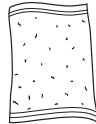


Alcohol Pad x2

## Tools Required



Car Wash Supplies



Clean Towel



Masking Tape

## Preparation Before Painting / Installation

- A trial fit is recommended to ensure proper positioning and fit.
- Check fit of parts before painting as we will not accept the return of modified or painted parts.
- Wash your vehicle's roof to remove any debris and/or dirt.
- Dry the roof with a clean towel.

## Installation Steps **NOTE:** Actual application may vary slightly from illustrations.

Wash and dry roof thoroughly.

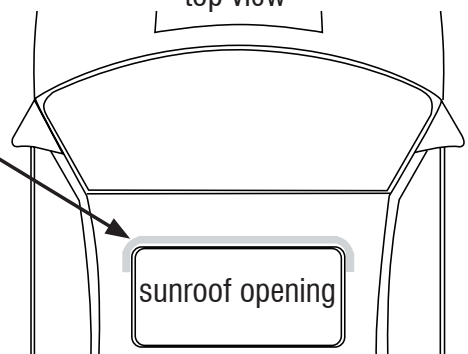


1



Clean roof wind deflector mounting location with an alcohol pad.

top view

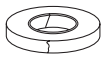


sunroof opening

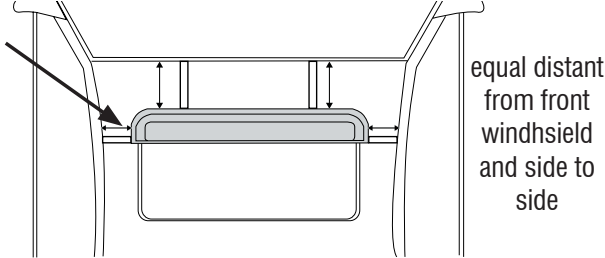
2

## Installation Steps

**NOTE:** Actual application may vary slightly from illustrations.



Center part on roof, and mark edges for reference with masking tape.



equal distant from front windshield and side to side

3

Peel back 2" (5 cm) of tape liner from each end of flange.

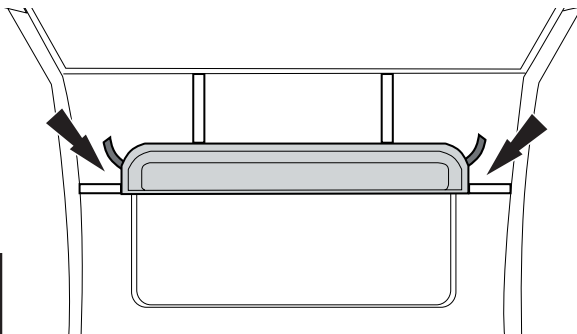
free end



free end

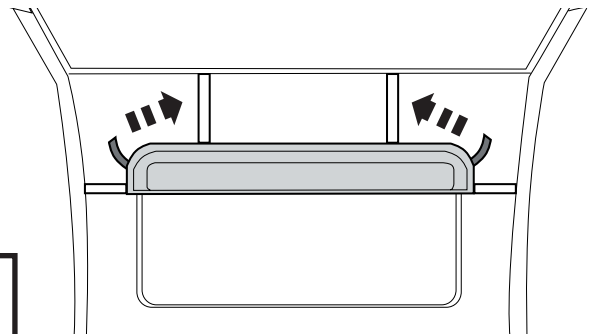
4

Position roof wind deflector on roof and align with previously marked locations. Press lightly on exposed areas of tape and verify positioning.



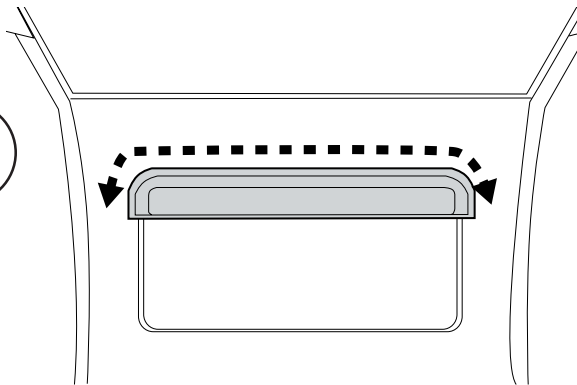
5

With the roof wind deflector in its final position, remove masking tape, and remove remaining tape liner by pulling on free ends.



6

Apply pressure along flange edges to ensure proper adhesion.



7

## Care and Cleaning

- Wash only with mild soap & dry with a clean cloth.

## Congratulations!

You have purchased one of the many quality Auto Ventshade™ branded products offered by Lund International, Inc. We take the utmost pride in our products and want you to enjoy years of satisfaction from your investment. We have made every effort to ensure that your product is top quality in terms of fit, durability, finish and ease of installation.

