

Installation Instructions



AUTO VENTSHADE™

Ventvisor® Deflector

Important Safety Information



- CAUTION - Before driving, ensure that the vent visor is properly secured to vehicle.
- Do not use automatic “brush-style” car washes.
- Do not use cleaning solvents of any kind.
- Periodically check all components for tightness.

Contents - 2 Piece Set **NOTE:** Actual product may vary from illustration.



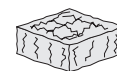
Front Driver Side Visor



Front Passenger Side Visor



Alcohol Pad x2



Scotch brite pad

Contents - 4 Piece Set



Front Driver Side Visor



Front Passenger Side Visor



Rear Driver's Visor



Rear Passenger's Visor



Alcohol Pad x4

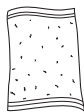


Scotch brite pad

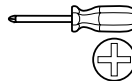
Tools Required



Car Wash Supplies



Clean Towel



Phillips screwdriver



Nutdriver

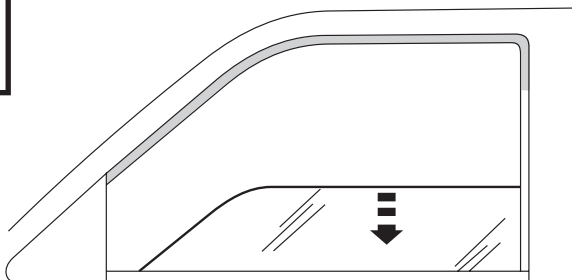
Preparation Before Painting / Installation

- A trial fit is recommended to ensure proper positioning and fit.
- Check fit of parts before painting as we will not accept the return of modified or painted parts.
- Wash and dry your vehicle to remove any debris and/or dirt from the installation area.

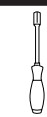
Installation Steps **NOTE:** Actual application may vary slightly from illustrations.



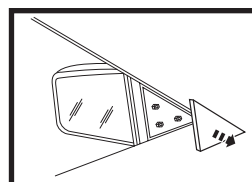
Buff the vinyl window trim with a scotch brite pad, then clean with an alcohol pad. Wipe dry with a soft cloth.



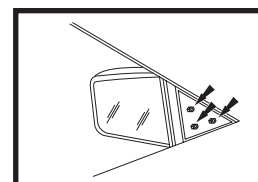
1



(1) Remove the triangular plastic mirror cap from the **INSIDE** of the door. (2) Loosen but do not remove the mirror mounting screws using a phillips screwdriver or nut driver as applicable.



Step 1



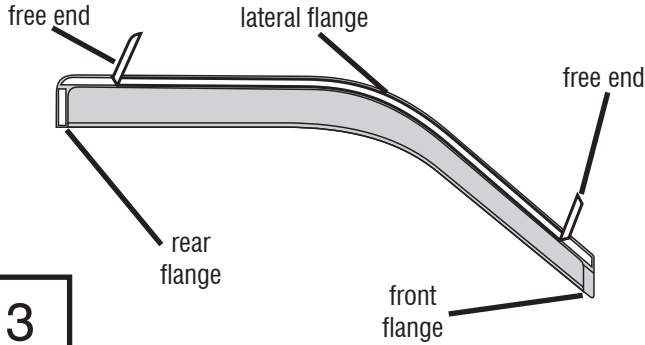
Step 2

2

Installation Steps

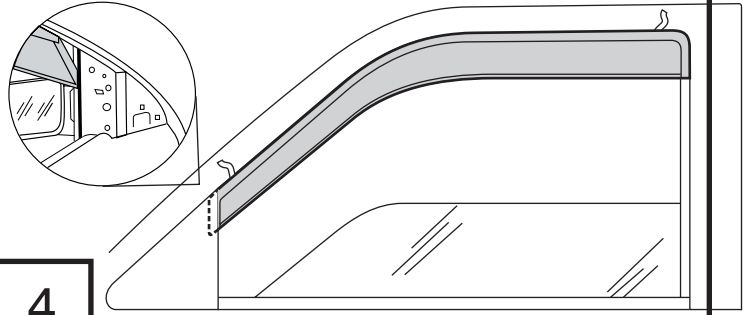
NOTE: Actual application may vary slightly from illustrations.

Remove tape liner from rear flange of visor. Peel back 2" (5 cm) of tape liner from each end of the lateral flange.



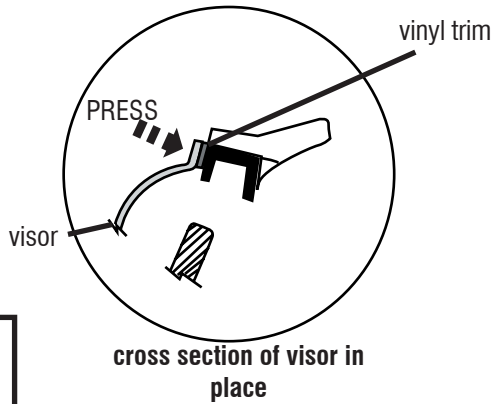
3

Insert the front end flange between the mirror cap and the rubber window channel. Position the remaining flanges of the visor on the vinyl trim.

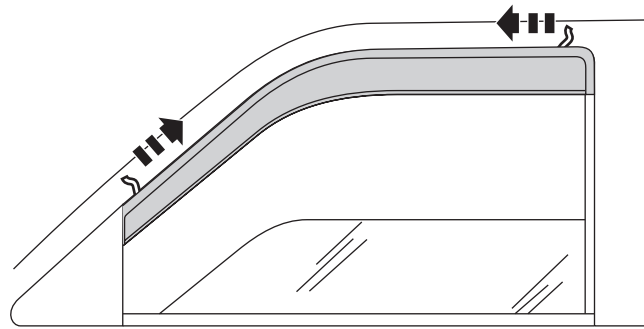


4

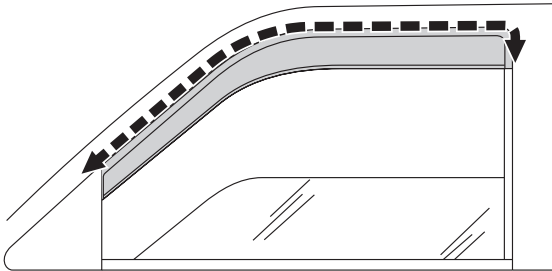
Gently press the exposed areas of tape against the surface and verify position. With the visor in its final position, remove the remaining tape liner by pulling on free ends.



5

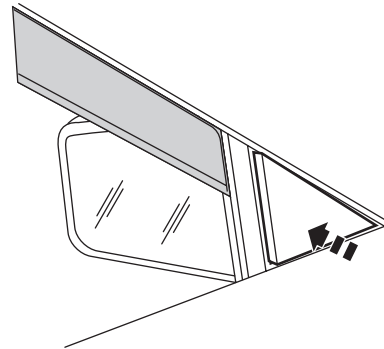


Apply pressure along all flanges to ensure proper adhesion of tape.



6

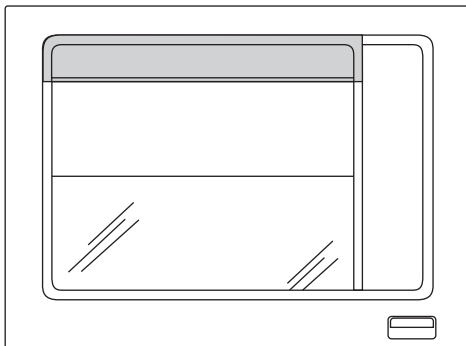
Retighten previously loosened screws, and replace plastic mirror cap



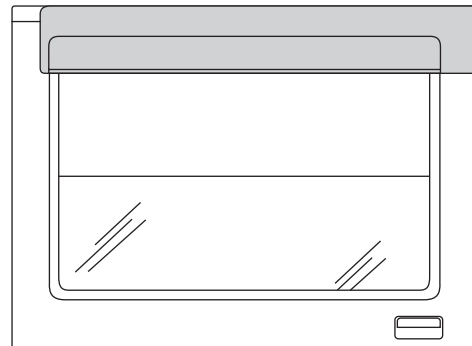
7

4 Piece Set

The rear visor attaches with the same preparation methods as the front visor.



or



8

Repeat **Steps 1-8** for opposite side.

Care and Cleaning

- Wash only with mild soap & dry with a clean cloth.

Congratulations!

You have purchased one of the many quality Auto Ventshade™ branded products offered by Lund International, Inc. We take the utmost pride in our products and want you to enjoy years of satisfaction from your investment. We have made every effort to ensure that your product is top quality in terms of fit, durability, finish and ease of installation.

