

Installation Instructions



AUTO VENT SHADE™

Ventvisor® Deflector

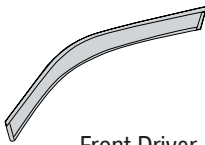
Important Safety Information



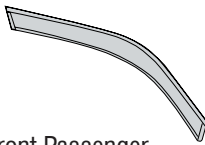
- CAUTION - Before driving, ensure that the vent visor is properly secured to vehicle.
- Do not use automatic "brush-style" car washes.
- Do not use cleaning solvents of any kind.
- Periodically check all components for tightness.

Contents

NOTE: Actual product may vary from illustration.



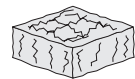
Front Driver Side Visor



Front Passenger Side Visor



Alcohol Pad x2



Scotch Brite pad

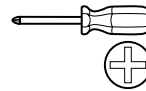
Tools Required



Car Wash Supplies



Clean Towel



Phillips Screwdriver

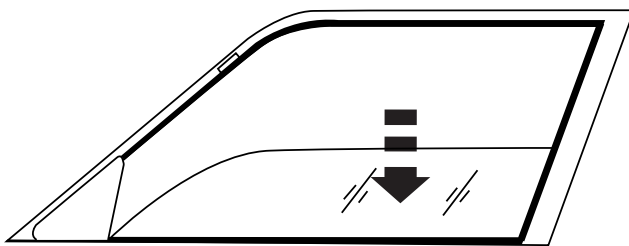
Preparation Before Painting / Installation

- A trial fit is recommended to ensure proper positioning and fit.
- Check fit of parts before painting as we will not accept the return of modified or painted parts.
- Wash and dry your vehicle to remove any debris and/or dirt from the installation area.

Installation Steps

NOTE: Actual application may vary slightly from illustrations.

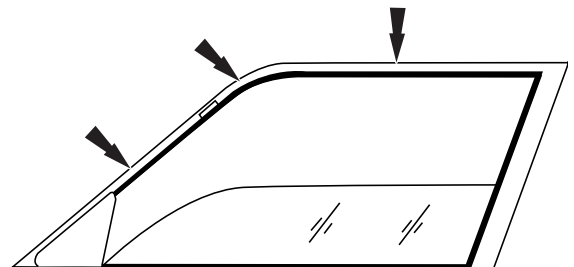
Completely lower drivers side window.



1



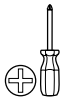
Buff the black vinyl trim with a scotch brite pad. Then clean with an alcohol pad and dry with a soft cloth.



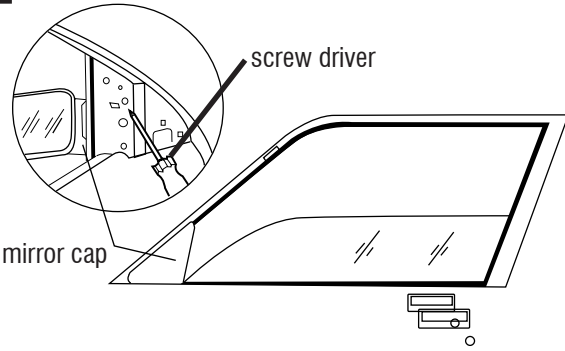
2

Installation Steps

NOTE: Actual application may vary slightly from illustrations.

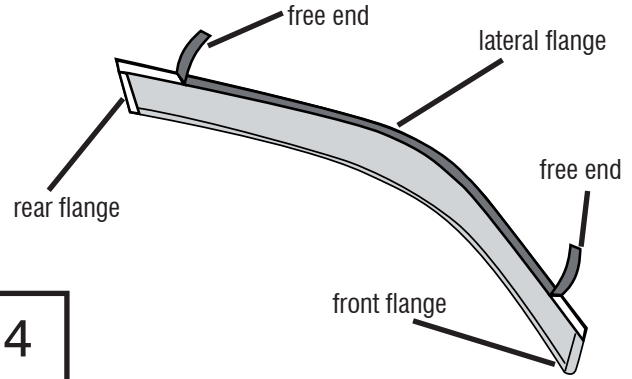


Remove the triangular plastic mirror cap from the inside of the door. Loosen (but do not remove) the mirror mounting screws with a phillips screwdriver.



3

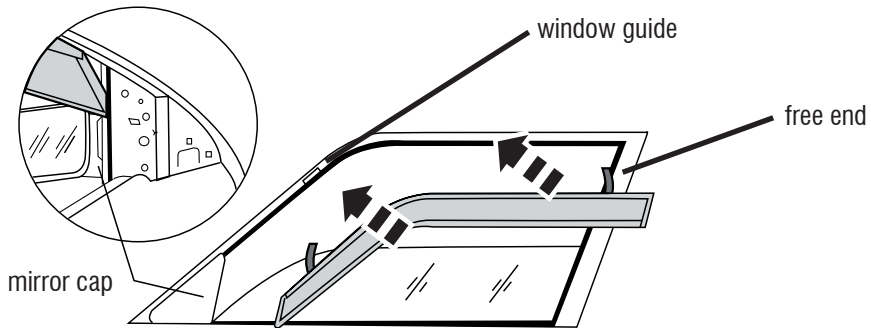
Remove tape liner from rear flange. Peel back 2" (5 cm) of tape liner from each end of lateral flange.



4

Position the visor on the black vinyl trim that the window guide clip is attached to. The front end flange will insert underneath the **OUTSIDE** mirror cap.

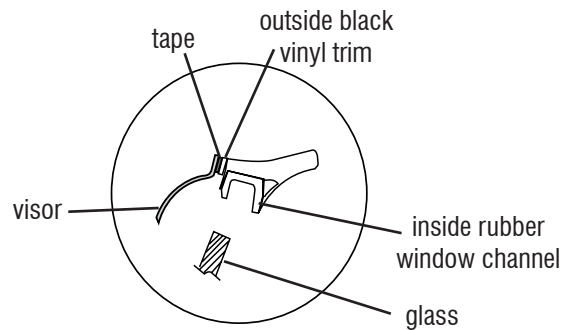
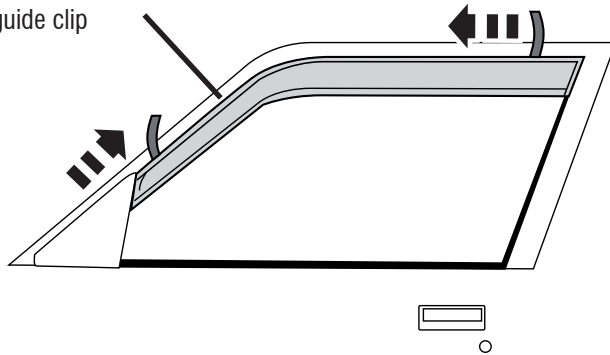
Inside view of door frame and mirror cap assembly



5

With the visor in its final position, remove the remaining tape liner by pulling on free ends.

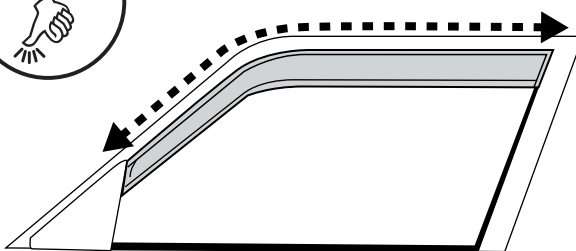
Visor caps over the window guide clip



cross section of visor in place

6

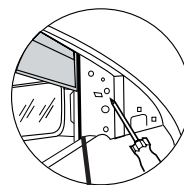
To ensure good adhesion of tape apply pressure along the edge of the visor flanges.



7



Retighten mirror mounting screws and replace triangular plastic mirror cap.



mirror cap

8

Repeat **Steps 1-8** for opposite side.

Care and Cleaning

- Wash only with mild soap & dry with a clean cloth.

Congratulations!

You have purchased one of the many quality Auto Ventshade™ branded products offered by Lund International, Inc. We take the utmost pride in our products and want you to enjoy years of satisfaction from your investment. We have made every effort to ensure that your product is top quality in terms of fit, durability, finish and ease of installation.

