

# Installation Instructions



AUTO VENTSHADE™

## Ventvisor® Deflector

### Important Safety Information



- CAUTION - Before driving, ensure that the vent visor is properly secured to vehicle.
- Do not use automatic "brush-style" car washes.
- Do not use cleaning solvents of any kind.
- Periodically check all components for tightness.

### Contents - 2 Piece Set **NOTE:** Actual product may vary from illustration.



Front Driver Side Visor

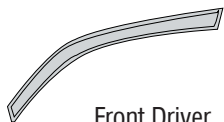


Front Passenger Side Visor



Alcohol Pad x2

### Contents - 4 Piece Set



Front Driver Side Visor



Front Passenger Side Visor



Rear Driver's Visor



Rear Passenger's Visor



Alcohol Pad x4

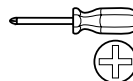
### Tools Required



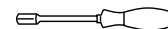
Car Wash Supplies



Clean Towel



Phillips screwdriver



Nutdriver

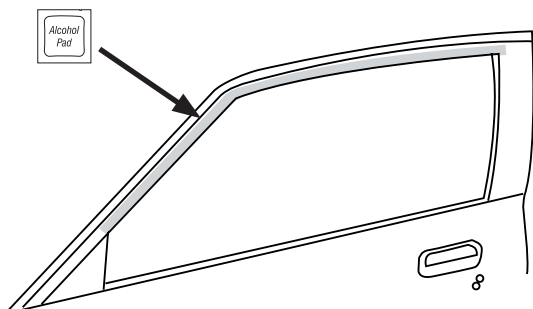
### Preparation Before Painting / Installation

- A trial fit is recommended to ensure proper positioning and fit.
- Check fit of parts before painting as we will not accept the return of modified or painted parts.
- Wash and dry your vehicle to remove any debris and/or dirt from the installation area.

### Installation Steps **NOTE:** Actual application may vary slightly from illustrations.

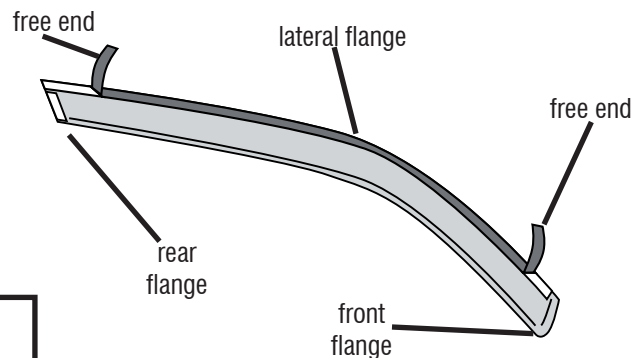


Clean the metal door frame with an alcohol pad, and wipe dry with a soft cloth.



1

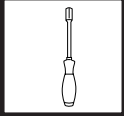
Remove tape liner from rear flange of visor. Peel back 2" (5 cm) of tape liner from each end of the lateral flange.



2

# Installation Steps

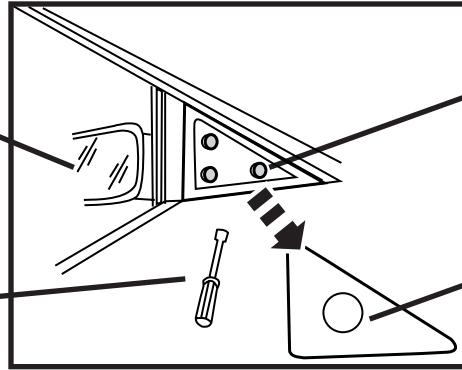
**NOTE:** Actual application may vary slightly from illustrations.



On the **INSIDE** of the door, use a phillips screw driver, or nut driver to remove the knob of the mirror adjustment if equipped. Remove the plastic mirror cap. Loosen, but do not remove, the three mirror mounting nuts.

**3**

Phillips screwdriver or Nut driver (as required)



Mirror

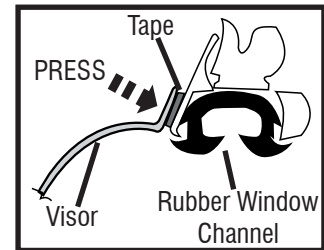
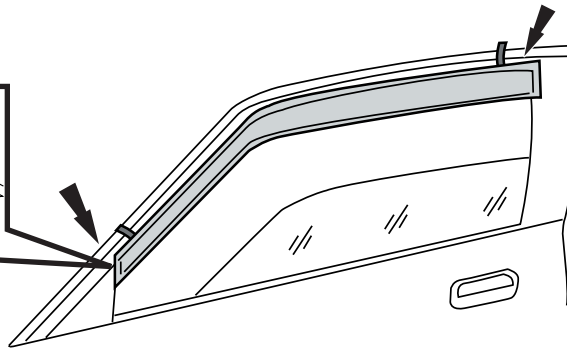
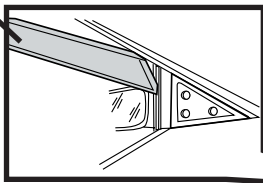
Mirror mounting bolts

Plastic mirror cap

Position the visor by inserting the front end flange underneath the plastic mirror cap, then aligning the lateral flange on the metal door frame. Gently press the exposed areas of tape against the surface and verify position.

**4**

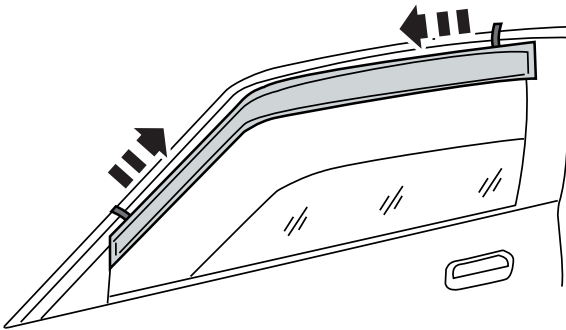
Visor



**Cross section of visor in place**

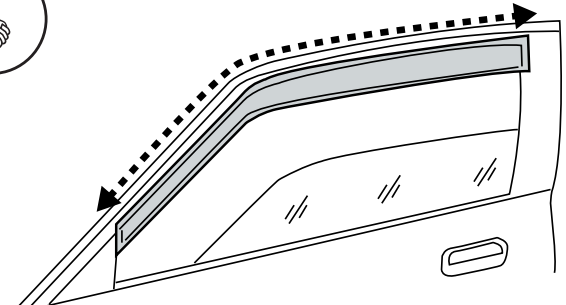
With the visor in its final position, remove the remaining tape liner by pulling on free ends.

**5**



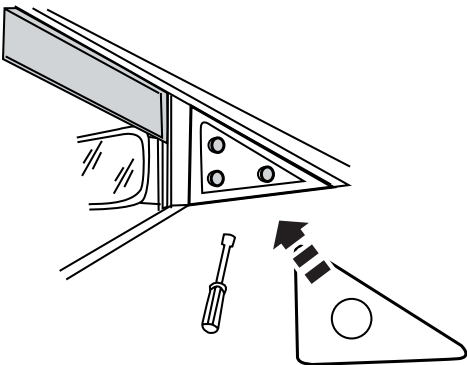
Apply pressure along all flanges to ensure proper adhesion of tape.

**6**



Retighten mirror mounting screws and replace plastic mirror cap assembly.

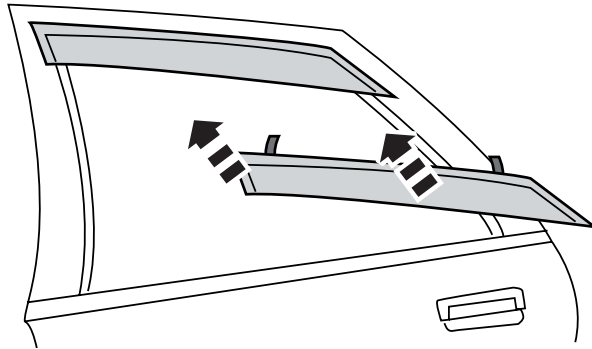
**7**



## Installation Steps 4 Piece Set

**NOTE:** Actual application may vary slightly from illustrations.

The rear visor attaches with the same preparation methods as the front visor.



8

Repeat **Steps 1-8** for opposite side.

## Care and Cleaning

- Wash only with mild soap & dry with a clean cloth.

## Congratulations!

You have purchased one of the many quality Auto Ventshade™ branded products offered by Lund International, Inc. We take the utmost pride in our products and want you to enjoy years of satisfaction from your investment. We have made every effort to ensure that your product is top quality in terms of fit, durability, finish and ease of installation.

