

# Installation Instructions



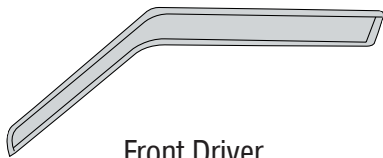
## Ventvisor® Deflector

### Important Safety Information

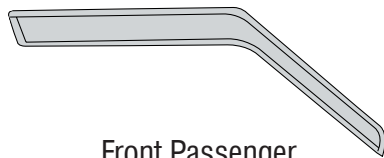


- CAUTION - Before driving, ensure that the vent visor is properly secured to vehicle.
- Do not use automatic "brush-style" car washes.
- Do not use cleaning solvents of any kind.
- Periodically check all components for tightness.

### Contents **NOTE:** Actual product may vary from illustration.



Front Driver Side Visor

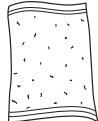


Front Passenger Side Visor

### Tools Required



Car Wash Supplies



Clean Towel



Rubbing Alcohol

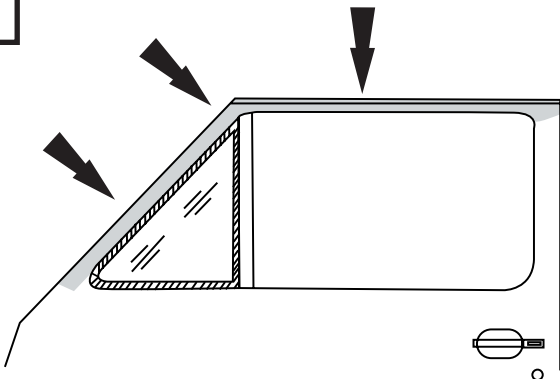
### Preparation Before Painting / Installation

- A trial fit is recommended to ensure proper positioning and fit.
- Check fit of parts before painting as we will not accept the return of modified or painted parts.
- Wash and dry your vehicle to remove any debris and/or dirt from the installation area.

### Installation Steps **NOTE:** Actual application may vary slightly from illustrations.

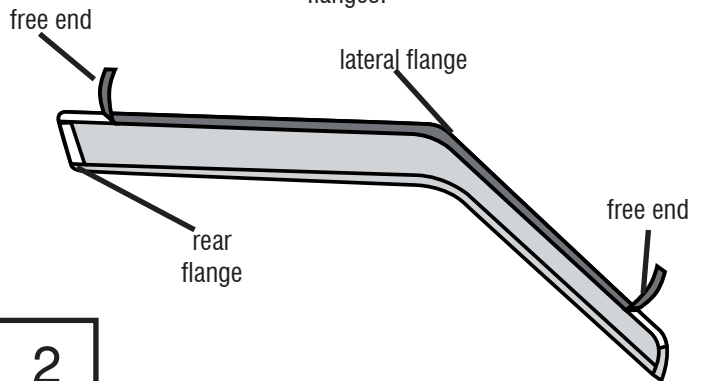


Clean the window frames and trim with rubbing alcohol, and wipe dry with a soft cloth.



1

Peel back 2" (5 cm) of tape liner from each end of the visors flanges.



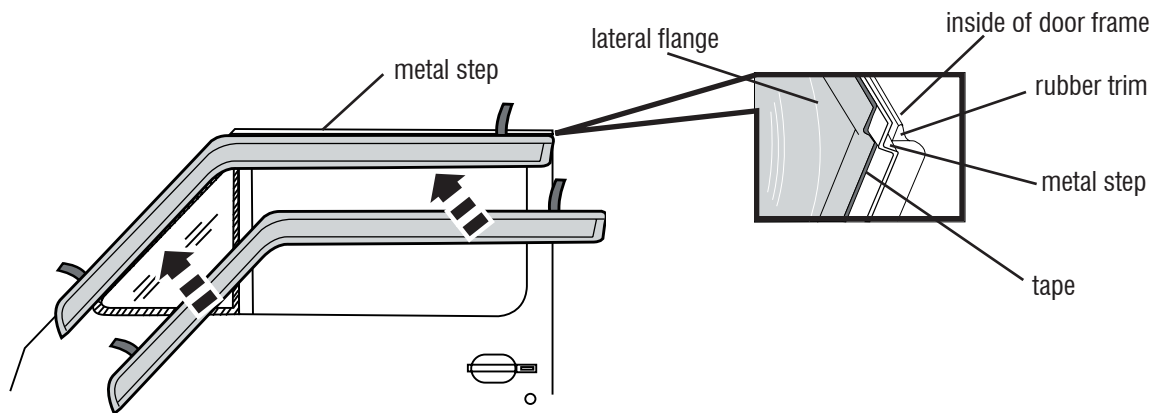
2

## Installation Steps

**NOTE:** Actual application may vary slightly from illustrations.

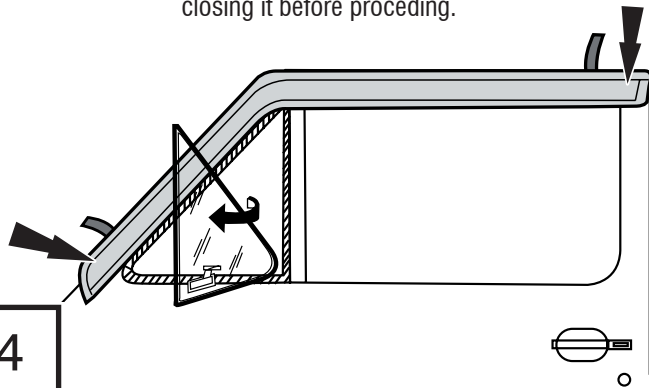
Align visor to the door. The lateral flange will attach to the metal step

3



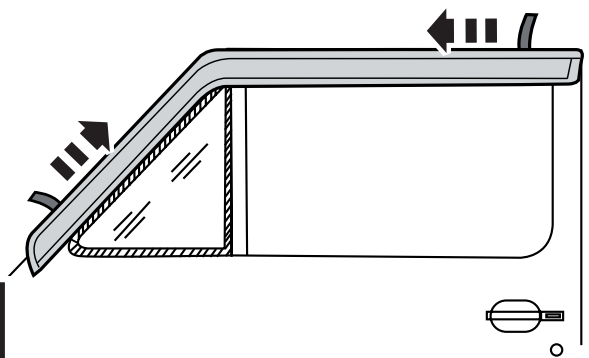
Gently press the exposed areas of tape against the trim and verify position. Ensure that vent window clears the visor by opening and closing it before proceeding.

4



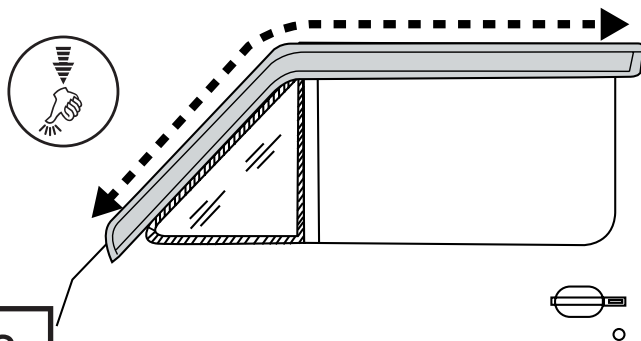
With the visor in its final position, remove the remaining tape liner by pulling on free ends.

5



Apply pressure along all flanges to ensure proper adhesion of tape.

6



Repeat **Steps 1-6** for opposite side.

## Care and Cleaning

- Wash only with mild soap & dry with a clean cloth.

## Congratulations!

You have purchased one of the many quality Auto Ventshade™ branded products offered by Lund International, Inc. We take the utmost pride in our products and want you to enjoy years of satisfaction from your investment. We have made every effort to ensure that your product is top quality in terms of fit, durability, finish and ease of installation.

