

Installation Instructions



AUTO VENT SHADE™

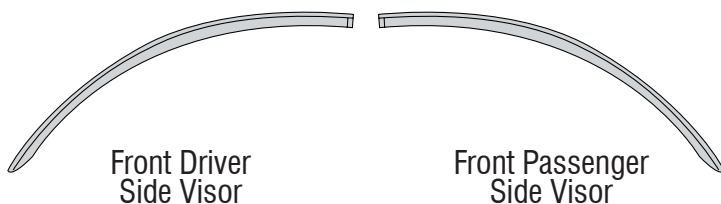
Ventvisor® Deflector

Important Safety Information



- CAUTION - Before driving, ensure that the vent visor is properly secured to vehicle.
- Do not use automatic “brush-style” car washes.
- Do not use cleaning solvents of any kind.
- Periodically check all components for tightness.

Contents **NOTE:** Actual product may vary from illustration.



Alcohol Pad
x2

Tools Required



Car Wash Supplies



Clean Towel

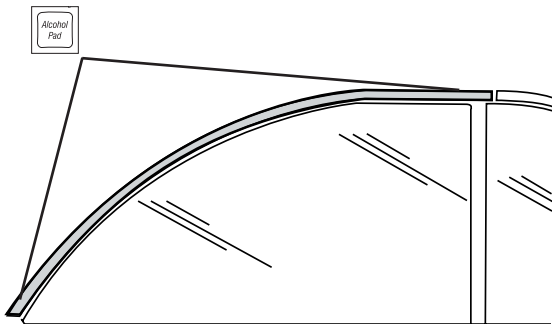
Preparation Before Painting / Installation

- A trial fit is recommended to ensure proper positioning and fit.
- Check fit of parts before painting as we will not accept the return of modified or painted parts.
- Wash and dry your vehicle to remove any debris and/or dirt from the installation area.

Installation Steps **NOTE:** Actual application may vary slightly from illustrations.

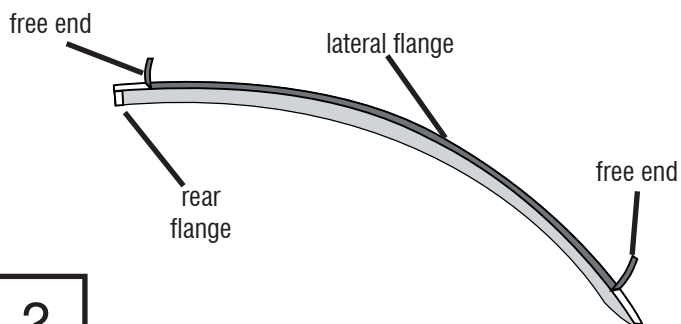


Clean the black window trim with an alcohol pad and wipe dry with a soft cloth.



1

Remove tape liner from rear flange. Peel back 2" (5 cm) of tape liner from each end of lateral flange.

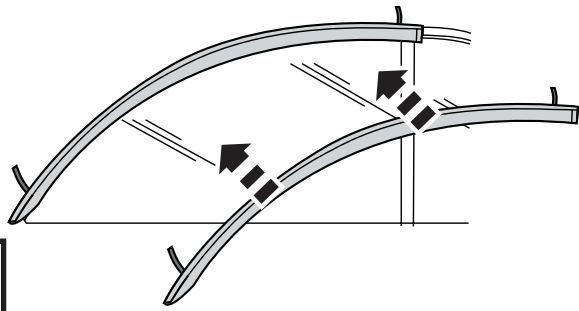


2

Installation Steps

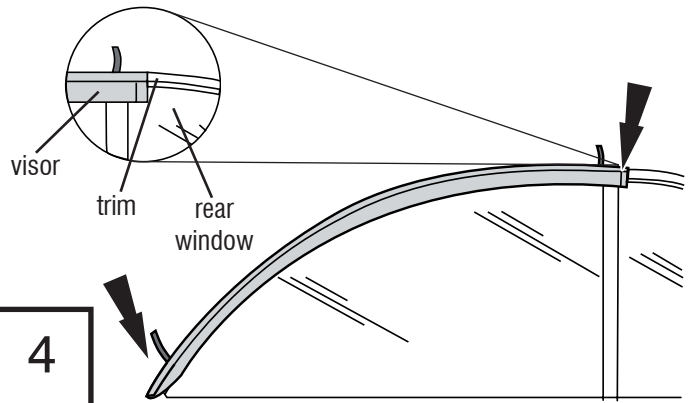
NOTE: Actual application may vary slightly from illustrations.

To facilitate positioning raise window up fully and open door slightly. The visor should not obstruct opening and closing of door. Align the part with the previously prepared areas.



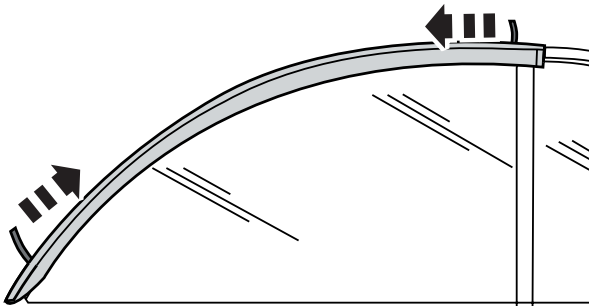
3

Gently press the exposed areas of tape against the trim and verify position. Open door to ensure visor does not obstruct door.



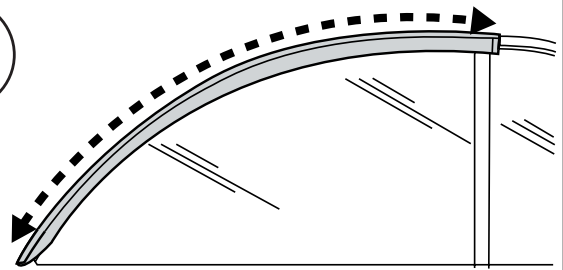
4

With the visor in its final position, remove the remaining tape liner by pulling on free ends.



5

Apply pressure along all flanges to ensure proper adhesion of tape.



6

Repeat **Steps 1-6** for opposite side.

Care and Cleaning

- Wash only with mild soap & dry with a clean cloth.

Congratulations!

You have purchased one of the many quality Auto Ventshade™ branded products offered by Lund International, Inc. We take the utmost pride in our products and want you to enjoy years of satisfaction from your investment. We have made every effort to ensure that your product is top quality in terms of fit, durability, finish and ease of installation.

