

# Installation Instructions



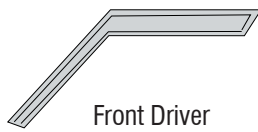
## Ventvisor® Deflector

### Important Safety Information

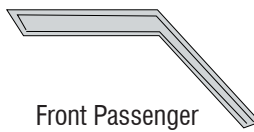


- CAUTION - Before driving, ensure that the vent visor is properly secured to vehicle.
- Do not use automatic "brush-style" car washes.
- Do not use cleaning solvents of any kind.
- Periodically check all components for tightness.

### Contents - 2 Piece Set **NOTE:** Actual product may vary from illustration.



Front Driver Side Visor

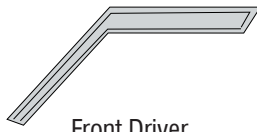


Front Passenger Side Visor

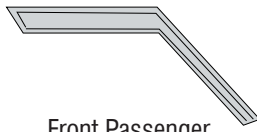


Alcohol Pad x2

### Contents - 4 Piece Set



Front Driver Side Visor



Front Passenger Side Visor



Rear Driver Side Visor



Rear Passenger Side Visor



Alcohol Pad x4

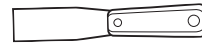
### Tools Required



Car Wash Supplies



Clean Towel



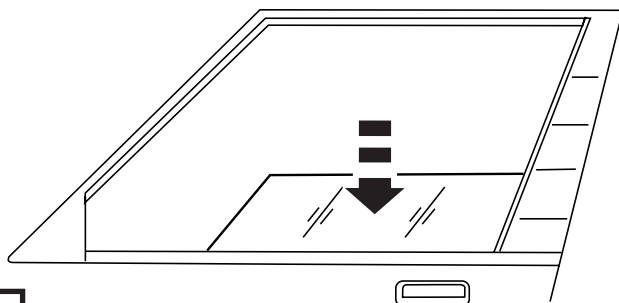
Putty Knife

### Preparation Before Painting / Installation

- A trial fit is recommended to ensure proper positioning and fit.
- Check fit of parts before painting as we will not accept the return of modified or painted parts.
- Wash and dry your vehicle to remove any debris and/or dirt from the installation area.

### Installation Steps **NOTE:** Actual application may vary slightly from illustrations.

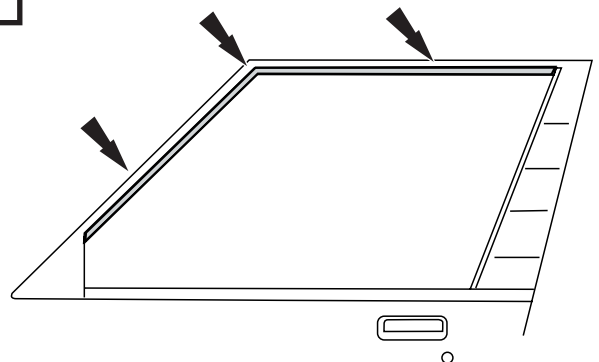
Completely lower drivers side window.



1

Alcohol Pad

Clean the black or chrome window frames with an alcohol pad.

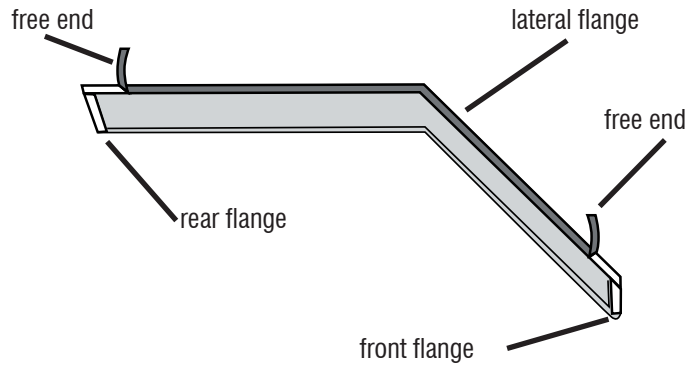


2

# Installation Steps

**NOTE:** Actual application may vary slightly from illustrations.

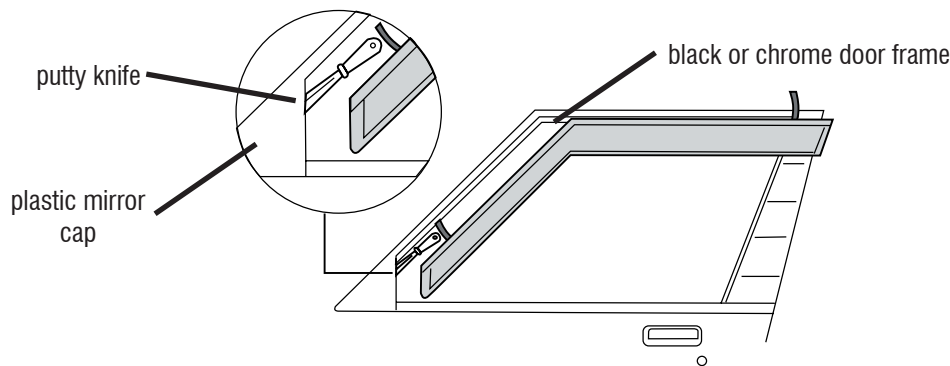
Remove the tape liner from the front and rear flanges of the visor. Then peel back 2" (5 cm) of tape liner from each end of the lateral flange.



3

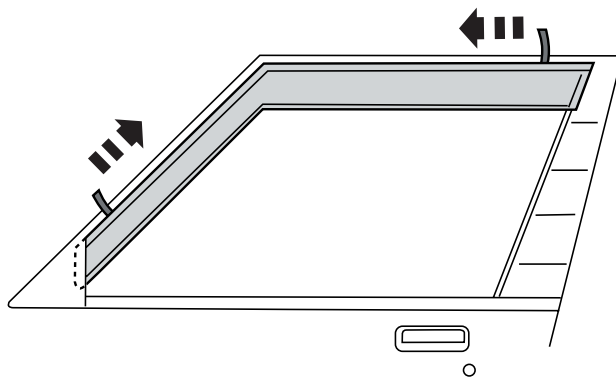


Align the part to the door, the lateral flange will attach to the black or chrome trim on the window frame. Insert a flat blade putty knife **BETWEEN** the mirror cap and the rubber window channel. Then slide the front end flange in behind the putty knife.

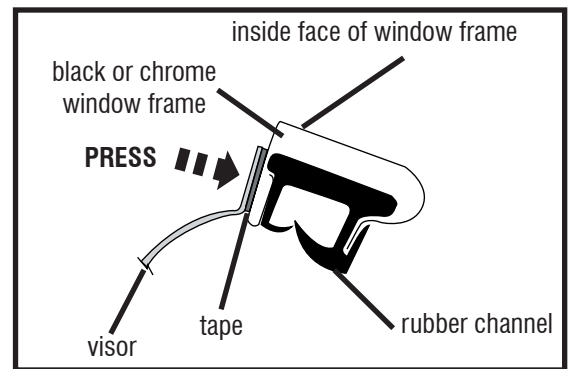


4

Press lightly on exposed areas of tape and verify positioning. With the visor in its final position, remove remaining tape liner by pulling on free ends.

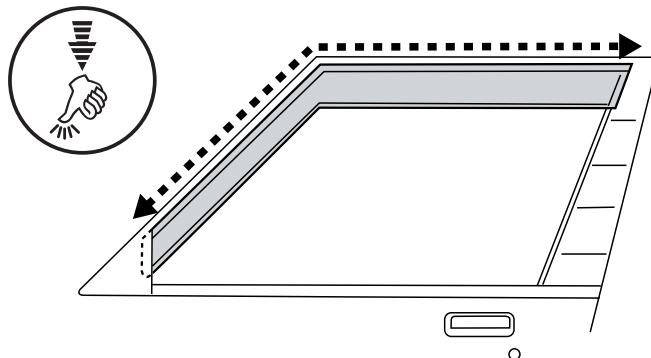


5



**cross section of visor in place**

Apply pressure to flange edges to ensure proper adhesion of tape.



6

## Installation Steps

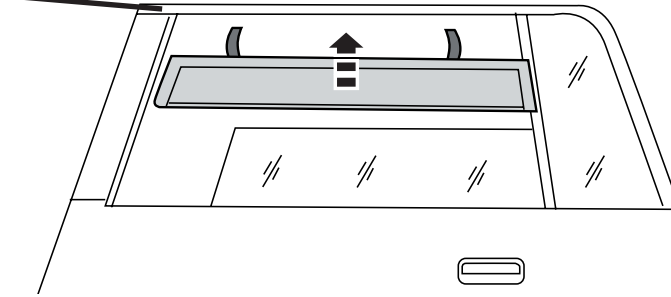
**NOTE:** Actual application may vary slightly from illustrations.

### 4 Piece Set

The rear visor installs utilizing the same procedure as above. The lateral flange of the visor will attach to the black and chrome trim that runs along the top of the window. The front end flange will attach to the black or chrome trim also. The rear end flange will attach to the rear door vent post.

black or chrome door frame

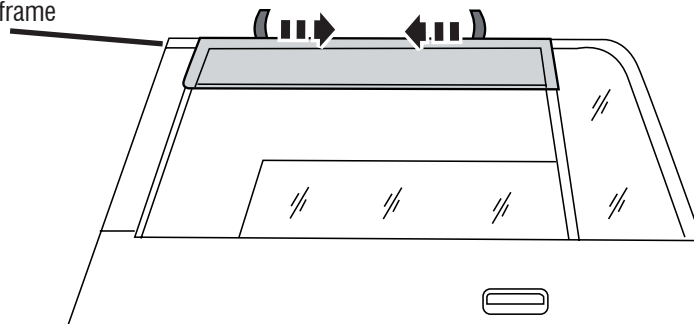
7



With the rear visor in its final position, remove remaining tape liner by pulling on free ends. Apply pressure to flange edges to secure in place.

black or chrome door frame

8



Repeat **Steps 1-8** for opposite side.

## Care and Cleaning

- Wash only with mild soap & dry with a clean cloth.

## Congratulations!

You have purchased one of the many quality Auto Ventshade™ branded products offered by Lund International, Inc. We take the utmost pride in our products and want you to enjoy years of satisfaction from your investment. We have made every effort to ensure that your product is top quality in terms of fit, durability, finish and ease of installation.

