

Installation Instructions



AUTO VENT SHADE™

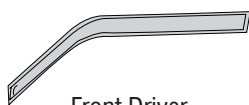
Ventvisor® Deflector

Important Safety Information



- CAUTION - Before driving, ensure that the vent visor is properly secured to vehicle.
- Do not use automatic "brush-style" car washes.
- Do not use cleaning solvents of any kind.
- Periodically check all components for tightness.

Contents - 2 Piece Set **NOTE:** Actual product may vary from illustration.



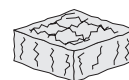
Front Driver Side Visor



Front Passenger Side Visor

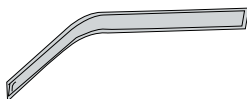


Alcohol Pad x2

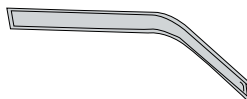


Scotch Brite pad

Contents - 4 Piece Set



Front Driver Side Visor



Front Passenger Side Visor



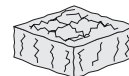
Rear Driver Side Visor



Rear Passenger Side Visor



Alcohol Pad x4



Scotch Brite pad

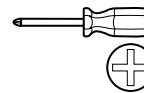
Tools Required



Car Wash Supplies



Clean Towel



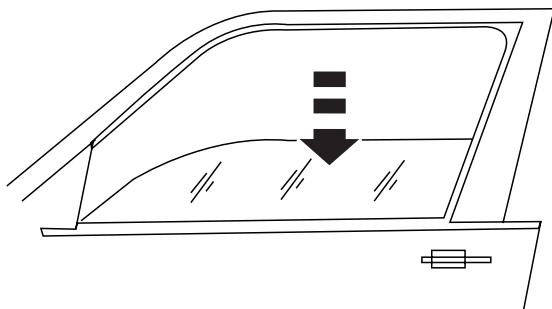
Phillips screwdriver

Preparation Before Painting / Installation

- A trial fit is recommended to ensure proper positioning and fit.
- Check fit of parts before painting as we will not accept the return of modified or painted parts.
- Wash and dry your vehicle to remove any debris and/or dirt from the installation area.

Installation Steps **NOTE:** Actual application may vary slightly from illustrations.

Lower drivers side window.



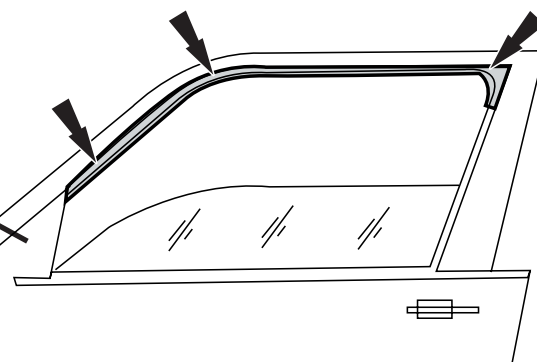
1



mirror cap

2

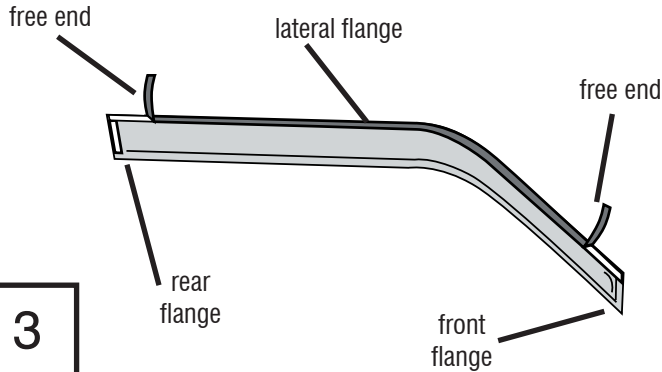
Buff the black vinyl window trim with the scuff bad, then clean the trim and metal surface with an alcohol pad.



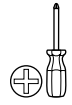
Installation Steps

NOTE: Actual application may vary slightly from illustrations.

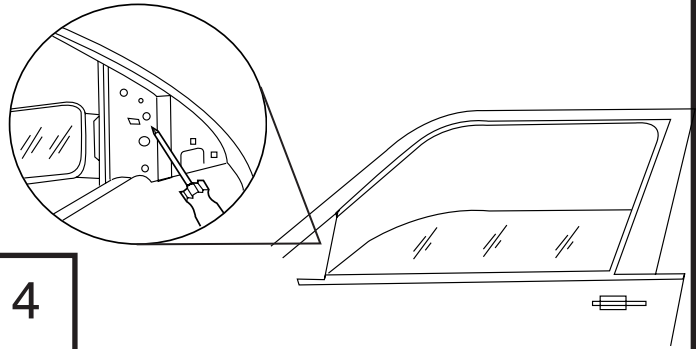
Remove tape liner from rear flanges. Peel back 2" of tape liner from each end of lateral flange.



3

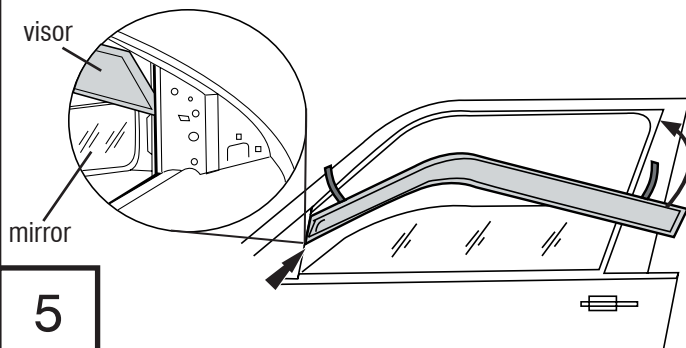


Remove the triangular plastic mirror cap on the **INSIDE** of the door. Loosen (but do not remove) the (3) mirror cap bolts with a phillips screwdriver.



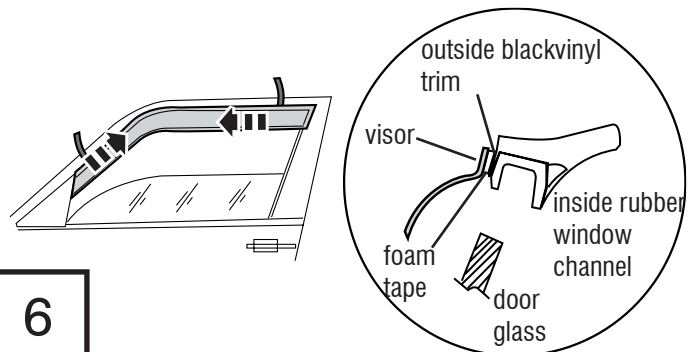
4

Insert the front end flange underneath the **OUTSIDE** mirror cap. The lateral flange mounts on the vinyl trim and the rear end flange on the metal.



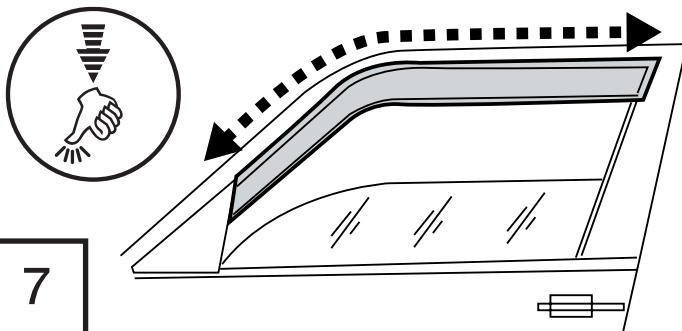
5

Position the visor flange on the black vinyl trim that the window guide clip is attached to. With the visor in its final position, remove remaining tape liner by pulling on free ends.



6

Apply pressure along all flanges to ensure proper adhesion of tape to the trim and metal. Then retighten the mirror mounting bolts and replace the triangular plastic mirror cap.

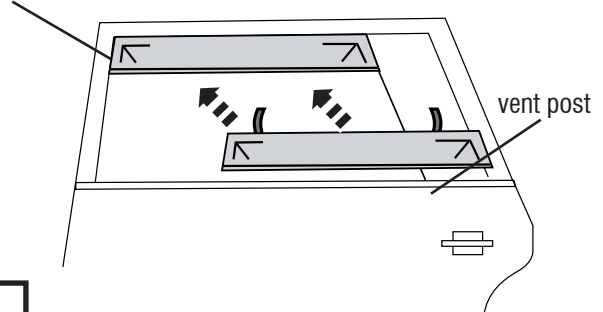


7

4 Piece Set

The rear visor installs utilizing the same procedure as above.

visor in position



8

Repeat **Steps 1-8** for opposite side.

Care and Cleaning

- Wash only with mild soap & dry with a clean cloth.

Congratulations!

You have purchased one of the many quality Auto Ventshade™ branded products offered by Lund International, Inc. We take the utmost pride in our products and want you to enjoy years of satisfaction from your investment. We have made every effort to ensure that your product is top quality in terms of fit, durability, finish and ease of installation.

