

# Installation Instructions



AUTO VENTSHADE™

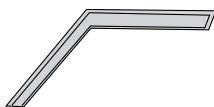
## Ventvisor® Deflector

### Important Safety Information

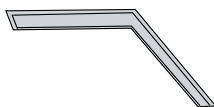


- CAUTION - Before driving, ensure that the vent visor is properly secured to vehicle.
- Do not use automatic "brush-style" car washes.
- Do not use cleaning solvents of any kind.
- Periodically check all components for tightness.

### Contents - 2 Piece Set **NOTE:** Actual product may vary from illustration.



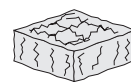
Front Driver Side Visor



Front Passenger Side Visor

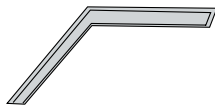


Alcohol Pad x2

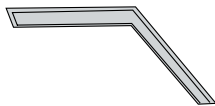


Scotch Brite pad

### Contents - 4 Piece Set



Front Driver Side Visor



Front Passenger Side Visor



Rear Driver Side Visor



Rear Passenger Side Visor



Alcohol Pad x4



Scotch Brite pad

### Tools Required



Car Wash Supplies



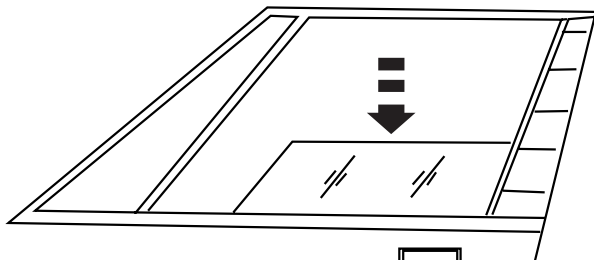
Clean Towel

### Preparation Before Painting / Installation

- A trial fit is recommended to ensure proper positioning and fit.
- Check fit of parts before painting as we will not accept the return of modified or painted parts.
- Wash and dry your vehicle to remove any debris and/or dirt from the installation area.

### Installation Steps **NOTE:** Actual application may vary slightly from illustrations.

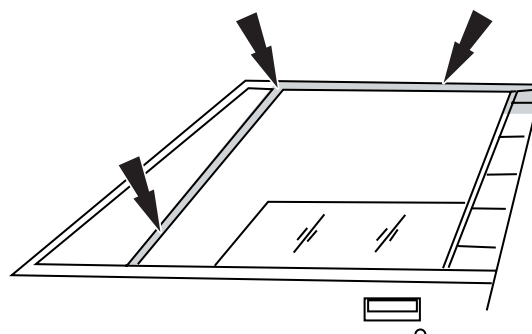
Lower front driver side window.



1



Scuff rubber trim with Scotch Brite scuff pad.  
Clean trim/plastic cap with alcohol pad.

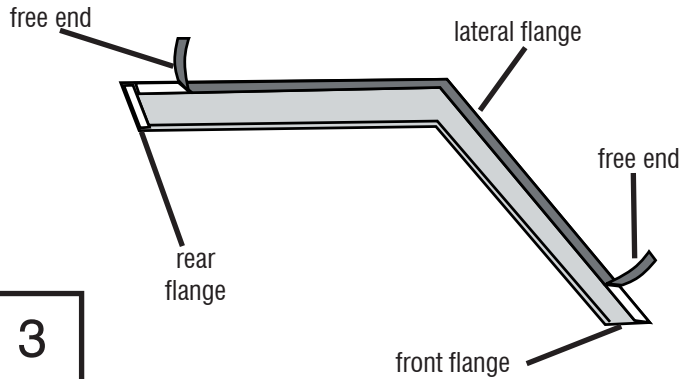


2

## Installation Steps

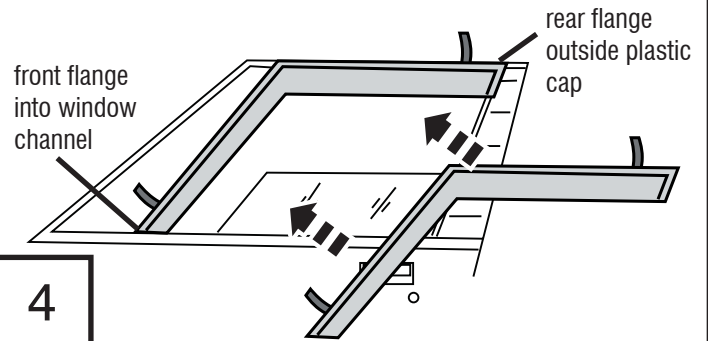
**NOTE:** Actual application may vary slightly from illustrations.

Remove tape liner from rear flange, then peel 2" (5 cm) of tape liner from each end of lateral flange.



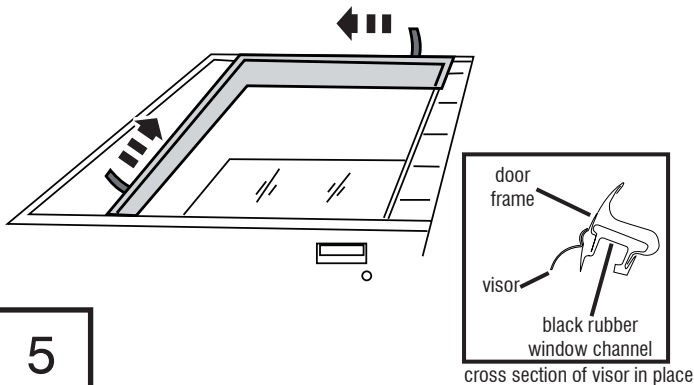
3

Align the visor with the previously cleaned area. Tuck the front end flange into the door window channel. The rear end flange will attach to the outside of the plastic cap.



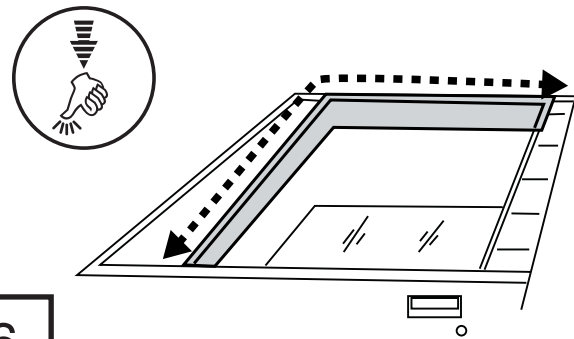
4

With the visor in its final position, remove remaining tape liner by pulling on free ends.



5

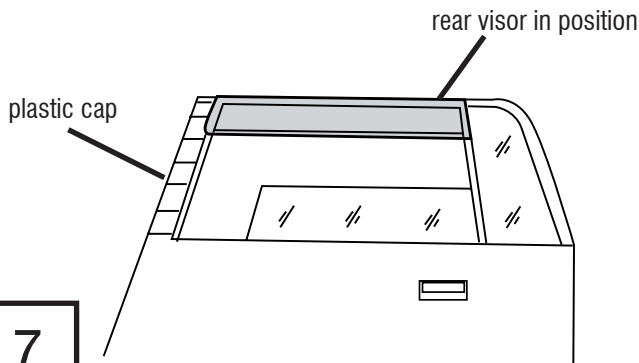
Apply pressure along all flange edges to ensure adhesion of tape liner.



6

## 4 Piece Set

The rear visor attaches with the same preparation methods as the front.



7

Repeat **Steps 1-7** for the opposite side.

## Care and Cleaning

- Wash only with mild soap & dry with a clean cloth.

## Congratulations!

You have purchased one of the many quality Auto Ventshade™ branded products offered by Lund International, Inc. We take the utmost pride in our products and want you to enjoy years of satisfaction from your investment. We have made every effort to ensure that your product is top quality in terms of fit, durability, finish and ease of installation.

