

Installation Instructions



AUTO VENTSHADE™

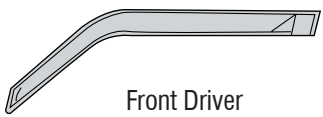
Ventvisor® Deflector

Important Safety Information

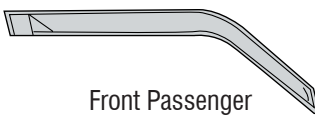


- CAUTION - Before driving, ensure that the vent visor is properly secured to vehicle.
- Do not use automatic "brush-style" car washes.
- Do not use cleaning solvents of any kind.
- Periodically check all components for tightness.

Contents - 2 Piece Set **NOTE:** Actual product may vary from illustration.



Front Driver Side Visor



Front Passenger Side Visor



Alcohol Pad x2

Contents - 4 Piece Set



Front Driver Side Visor



Front Passenger Side Visor



Rear Driver Side Visor



Rear Passenger Side Visor

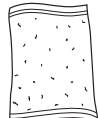


Alcohol Pad x4

Tools Required



Car Wash Supplies



Clean Towel

Preparation Before Painting / Installation

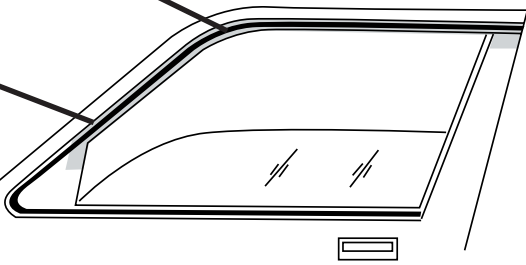
- A trial fit is recommended to ensure proper positioning and fit.
- Check fit of parts before painting as we will not accept the return of modified or painted parts.
- Wash and dry your vehicle to remove any debris and/or dirt from the installation area.

Installation Steps **NOTE:** Actual application may vary slightly from illustrations.



Lower drivers side window and clean window frame and chrome trim with an alcohol pad.

chrome trim



1

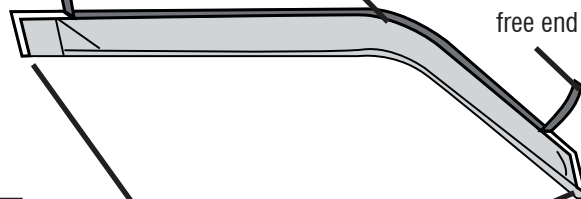
NOTE: Visors mount on the OUTSIDE door trim.

Peel back 2" (5 cm) of tape liner from each end of lateral flange.

free end

lateral flange

free end



rear flange

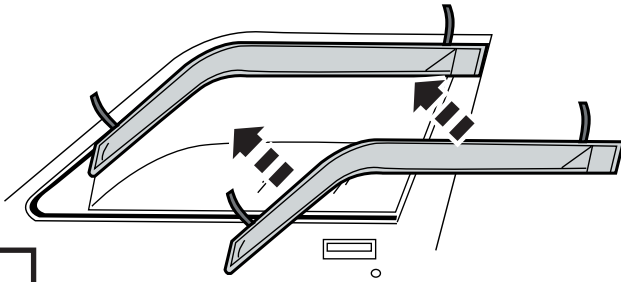
front flange

2

Installation Steps

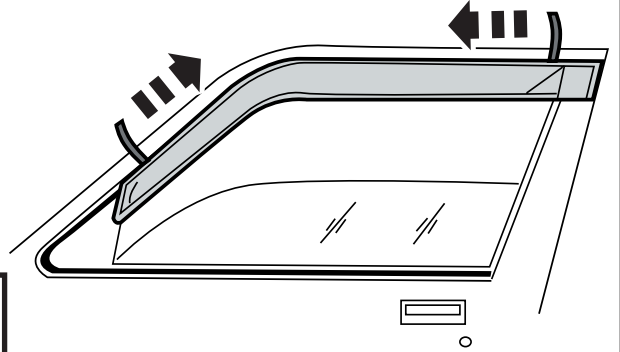
NOTE: Actual application may vary slightly from illustrations.

Align the visor with the door. Apply light pressure to exposed tape areas to attach the front flange to the mirror cap, the lateral flange to the chrome trim, and the rear flange to the painted door trim.



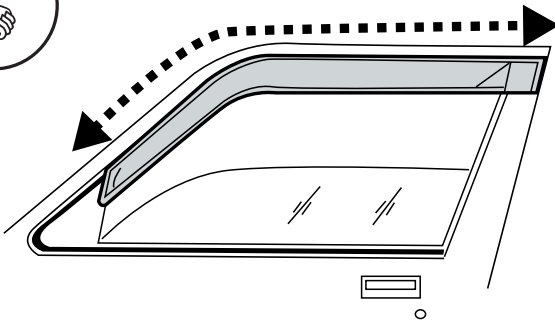
3

Verify proper positioning. With the visor in its final position, remove remaining tape liner by pulling on free ends.

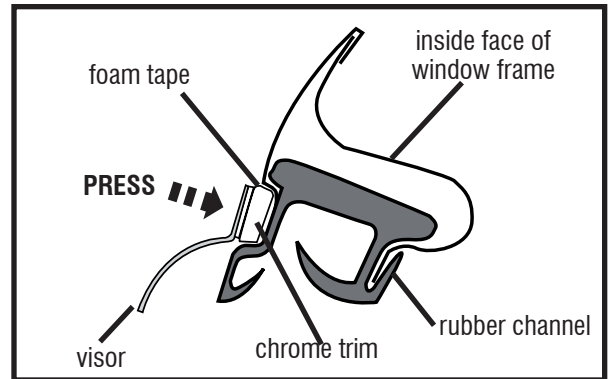


4

Apply pressure along all flanges to ensure adhesion of tape to the trim surfaces.



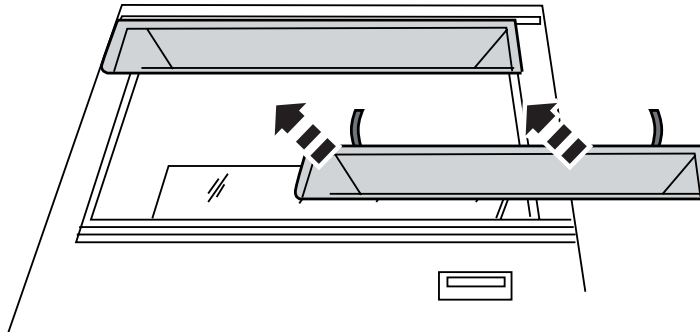
5



cross section of visor placement

4 Piece Set

The rear visor attaches with the same preparation methods as the front. The visor butts up against the rear edge of the front visor and is aligned on the chrome trim area.



6

Repeat **Steps 1-6** for opposite side.

Care and Cleaning

- Wash only with mild soap & dry with a clean cloth.

Congratulations!

You have purchased one of the many quality Auto Ventshade™ branded products offered by Lund International, Inc. We take the utmost pride in our products and want you to enjoy years of satisfaction from your investment. We have made every effort to ensure that your product is top quality in terms of fit, durability, finish and ease of installation.

